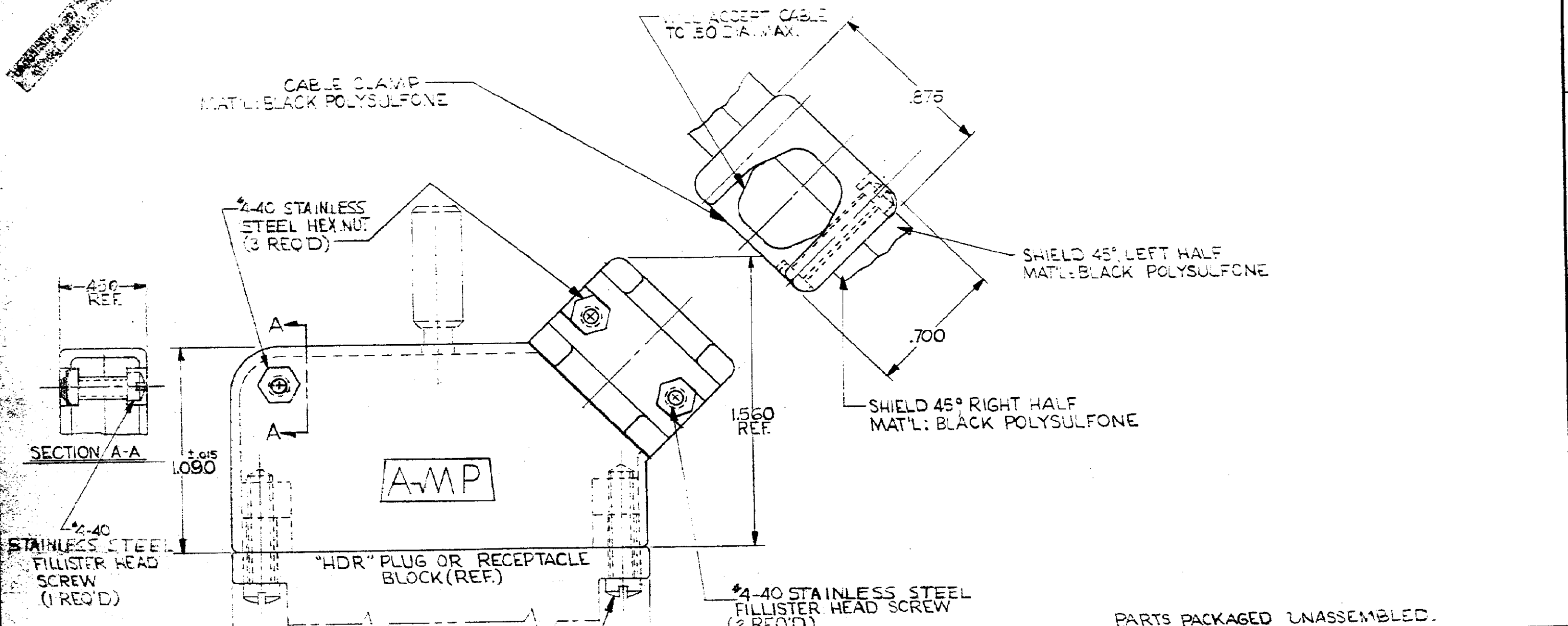


© 1970 BY AMP INCORPORATED. ALL RIGHTS RESERVED. AMP PRODUCTS COVERED BY PATENTS AND/OR PATENTS PENDING.

| REVISIONS | | | | |
|-----------|-----|-----------------------|---------|----------|
| ZONE | LTR | DESCRIPTION | DATE | APPROVED |
| | 0 | RELEASE WAS 504-354-8 | 5-27-70 | AKS |
| | A | REV. PER ECN F-007 | 5-27-70 | |
| | E | REV. PER ECN G-290 | 6-30-70 | |
| | C | REV. PER ECN R-2572 | 2-3-71 | |

UNLESS OTHERWISE SPECIFIED, ALL DIMENSIONS ARE IN INCHES. DIMENSIONS IN PARENTHESES ARE REFERENCED TO THE DRAWING.



| | | |
|-------------|-------|-----------------|
| 205083-4 | 2.534 | 48 |
| -3 | 2.134 | 36 |
| -2 | 1.734 | 24 |
| 205083-1 | 1.334 | 12 |
| PART NUMBER | A | NUMBER OF WIRES |

| | | | | |
|---|-----------------------------------|------------------|--|--------|
| UNLESS OTHERWISE SPECIFIED DIMENSIONS ARE IN INCHES TOLERANCES ON: DECIMALS ±.001 ANGLES ±.001 | CONTRACT NO. | | AMP INCORPORATED HARRISBURG, PENNSYLVANIA | |
| | DR. <i>L. Morningstar</i> 6-29-70 | | | |
| | CHK. <i>R. P. Jones</i> 6-30-70 | | | |
| | MATERIAL | NAME | SHIELD 45° STRAIN RELIEF ASSY "HDR" SERIES | |
| SEE CALLOUT | APPD. <i>R. P. Jones</i> 6-30-70 | SIZE | CODE IDENT NO. | NUMBER |
| | REL. <i>R. P. Jones</i> 6-30-70 | B | 00779 | 205083 |
| | DSGN APPD. | SCALE | SHEET 1 OF 1 | |
| | OTHER APPD. | CUSTOMER DRAWING | | |

单击下面可查看定价，库存，交付和生命周期等信息

[>>TE Connectivity\(泰科\)](#)