

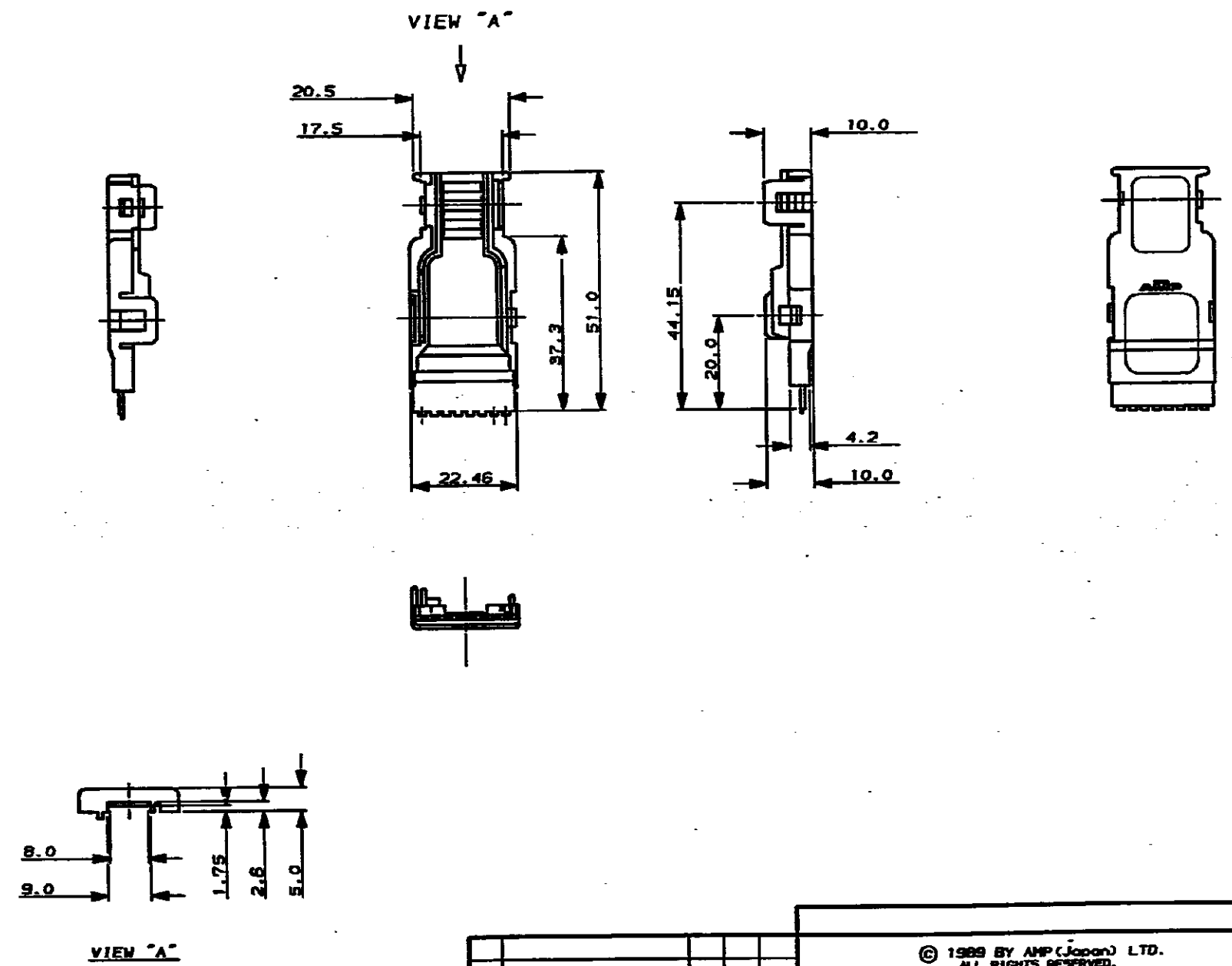
NUMBER C-175777



METRIC

PRINT DIMENSIONS IN MILLIMETERS. DO NOT SCALE PRINT

-1; AS SHOWN
-1; 本 ☒



© 1989 BY AMP (Japan) LTD. ALL RIGHTS RESERVED. AMP PRODUCTS COVERED BY PATENTS AND OR PATENTS PENDING				AMP AMP (JAPAN), LTD. Tokyo, Japan				
WIRE RANGE # AMP CANS - 2		INSULATION DIA # AMP		NAME CABLE COVER 16P 5-200 CONN. SYSTEM (W-T-B)				
MATERIAL POLYCARBONATE BLACK ポリカーボネイト(黒)		FINISH #		GENERAL TOLERANCE		SIZE A3	LOC J	NUMBER C-175777
0 作 設 J-10720/A		DR H. Amikura 7/8 '89		10-cm 30 : ±0.25		SCALE 1-1	REV. 0	SHEET 1 OF 1
LTR	REVISION RECORD	DR	CHK DATE	30-cm 100 : ±0.3				
				ANGLES : ±3°				

CUSTOMER DRAWING

单击下面可查看定价，库存，交付和生命周期等信息

[>>TE Connectivity\(泰科\)](#)