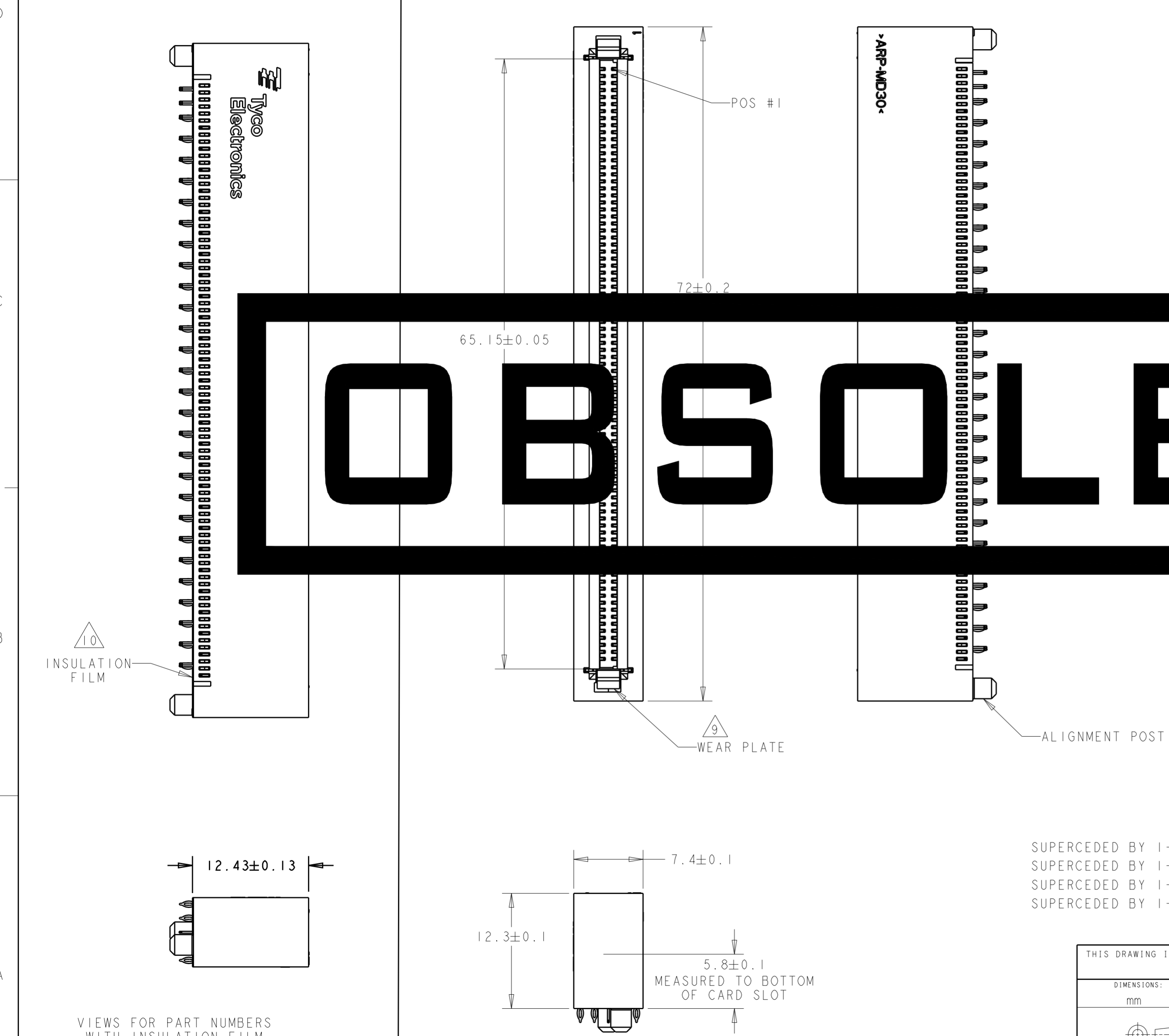


LOC	DIST	REVISIONS			
P	LTR	DESCRIPTION	DATE	DWN	APVD
CC	00	C	REVISED PER ECR-12-009949	rev.date.1	F.L F.Y



- 1 PCB HOLE DIMENSIONS:
 DRILLED HOLE = 0.64 ± 0.02 mm
 FINISHED HOLE = 0.55 mm REF
 Cu THICKNESS = 25-50 um WITH EITHER
 PLATING THICKNESS:
 HASL Sn Pb = 4-10 um OR
 IMMERSION Sn = MIN 0.5 um OR
 OSP = 0.2-0.5 um OR
 IMMERSION Au/Ni = 0.5-1.2 um Au OVER 3.0-7.0 um Ni OR
 IMMERSION Ag = 0.1 um MIN
- 2 MATERIAL:
 HOUSING- LCP, 94V-0 RATED, COLOR- BLACK
 CONTACTS- COPPER ALLOY
 WEAR PLATE- STAINLESS STEEL
 INSULATION FILM- MYLAR
- 3 FINISH- MATING AREA- 0.76 um MIN GOLD OR
 0.64 um MIN PALLADIUM-NICKEL OVER 1.27um MIN NICKEL
 COMPLIANT PIN AREA- 0.5 um BRIGHT TIN OVER 1.27 um
- 4 CONNECTOR MARKED WITH PART NUMBER AND DATE OF MANUFACTURE BY THE MANUFACTURER.
- 5 CONTACT AREA LUBRICATED WITH BELLCORE LUBRICANT TECHNICAL REFERENCE GR-127 ISSUE 1 NOVEMBER 1997.
- 6 REFER TO THE CONNECTOR APPLICATION SPECIFICATION 114-13180 FOR SPECIFICATION INFORMATION.
- 7 FINISH- MATING AREA- 0.76 um MIN GOLD OR
 0.64 um MIN PALLADIUM-NICKEL OVER 1.27 um MIN NICKEL
 COMPLIANT PIN AREA- 0.5 um BRIGHT TIN OVER 1.27 um
- 8 WEAR PLATE EXTENDS FROM TOP OF CONNECTOR TO BOTTOM OF SLOT AND IS USED TO ELIMINATE WEAR OF THE HOUSING CAUSED BY THE EDGE OF THE PCB CARD.
- 9 INSULATION FILM USED WHEN ADDITIONAL INSULATION SPACING IS NEEDED BETWEEN PCB TRACES AND CONTACTS.

OBSOLETE

SUPERCEDED BY 1-1469820-4
 SUPERCEDED BY 1-1469820-3
 SUPERCEDED BY 1-1469820-2
 SUPERCEDED BY 1-1469820-1

INSULATION FILM	FINISH	WEAR PLATE	ALIGNMENT POSTS	PART NUMBER
YES	8	YES	YES	2-1469820-4
YES	8	YES	NO	2-1469820-3
YES	3	YES	YES	2-1469820-2
YES	3	YES	NO	2-1469820-1
NO	8	YES	YES	1-1469820-4
NO	8	YES	NO	1-1469820-3
NO	3	YES	YES	1-1469820-2
NO	3	YES	NO	1-1469820-1
NO	8	NO	YES	1469820-4
NO	8	NO	NO	1469820-3
NO	3	NO	YES	1469820-2
NO	3	NO	NO	1469820-1

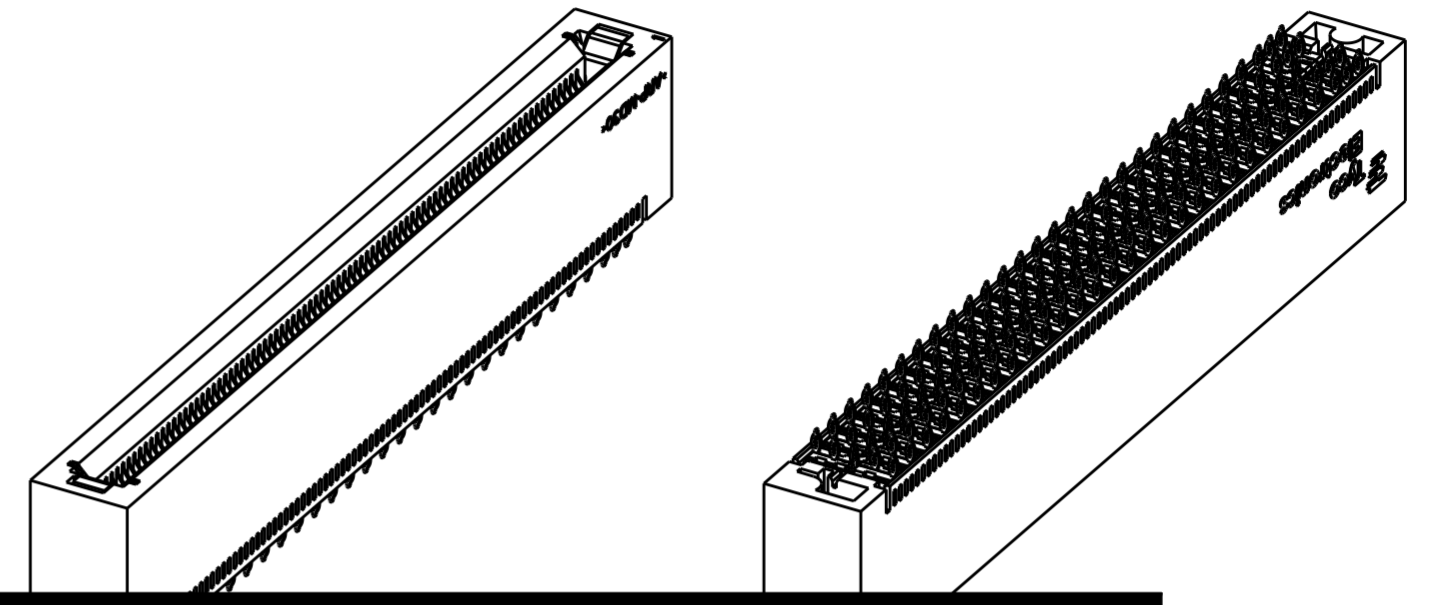
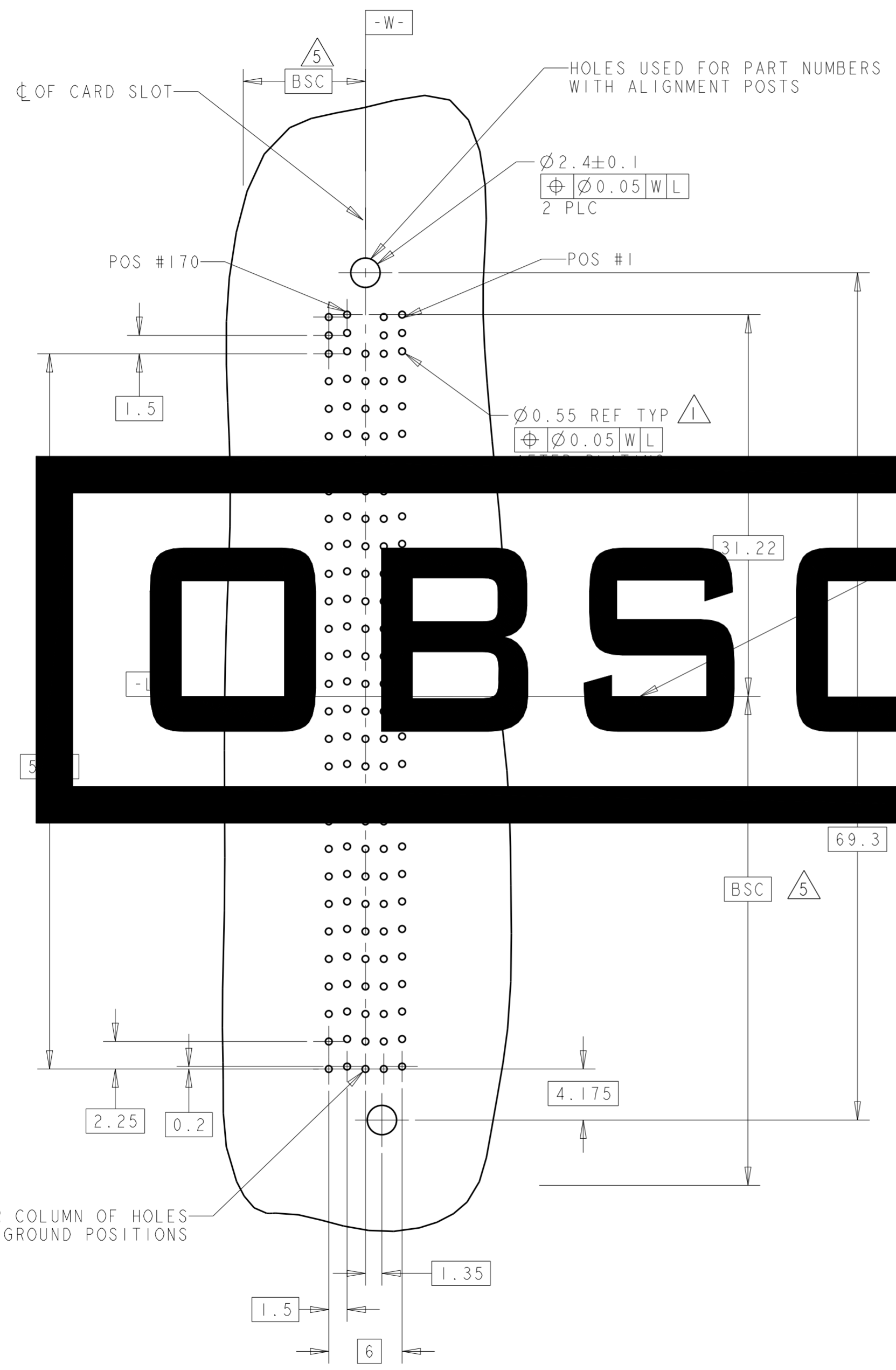
VIEWS FOR PART NUMBERS WITH INSULATION FILM
 2-1469820-1 THRU 2-1469820-4

THIS DRAWING IS A CONTROLLED DOCUMENT.

DWN: D. SZCZESNY	31MAR06	STE TE Connectivity	
CHK: -	-		
APVD: -	-	NAME: CARD EDGE CONNECTOR, VERTICAL MICRO TCA	
PRODUCT SPEC: 108-2254	APPLICATION SPEC: 114-13180	SIZE: A2	CAGE CODE: 00779
MATERIAL: -	FINISH: -	DRAWING NO: C-1469820	RESTRICTED TO: -
CUSTOMER DRAWING		SCALE: 3:1	SHEET 1 OF 2

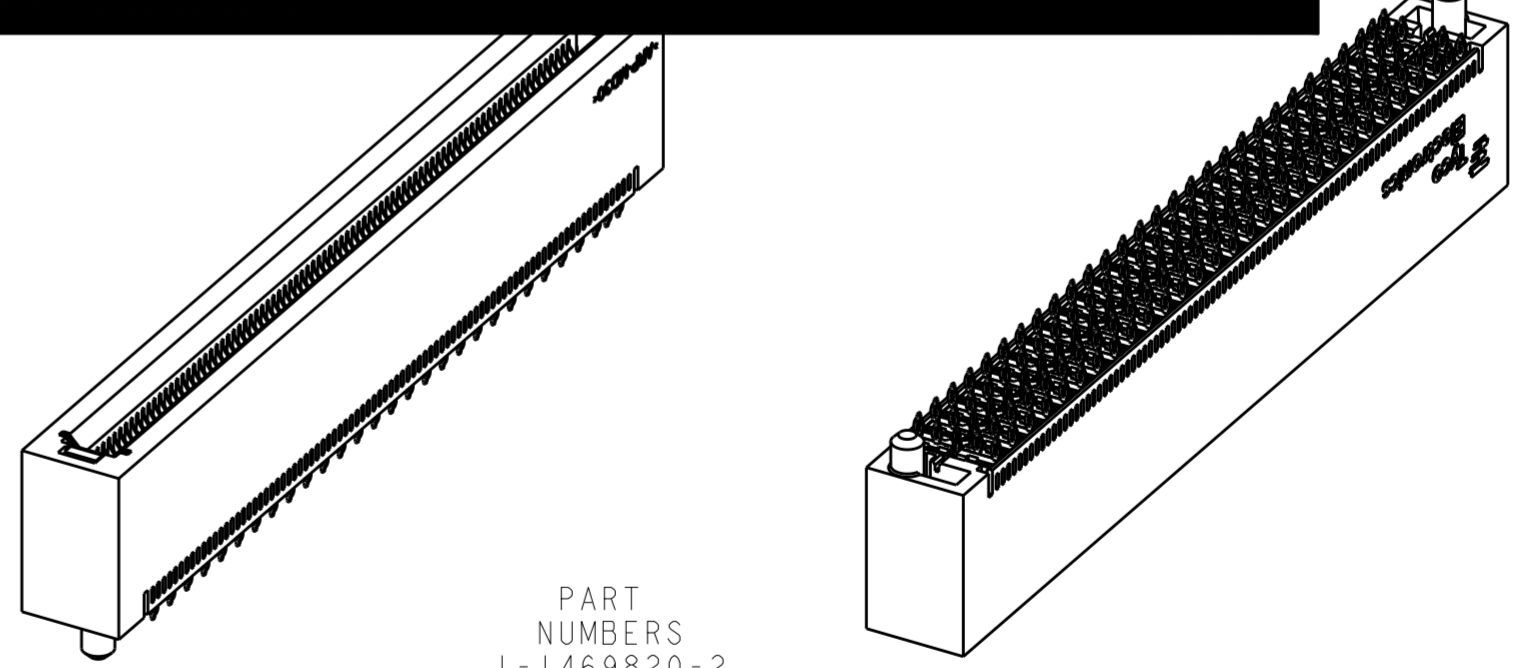
THIS DRAWING IS UNPUBLISHED. RELEASED FOR PUBLICATION 20
 © COPYRIGHT 20 BY - ALL RIGHTS RESERVED.

LOC	DIST	REVISIONS					
CC	00	P	LTR	DESCRIPTION	DATE	DWN	APVD
		-		SEE SHEET 1			



OBSOLETE

PARTS
 1-1469820-3
 2-1469820-1
 2-1469820-3
 WITHOUT POSTS



PART NUMBERS
 1-1469820-2
 1-1469820-4
 2-1469820-2
 2-1469820-4
 WITH POSTS

CENTER COLUMN OF HOLES ARE GROUND POSITIONS

THIS DRAWING IS A CONTROLLED DOCUMENT.		DWN D. SZCZESNY	31MAR06	TE Connectivity
DIMENSIONS: mm		CHK	APVD	
TOLERANCES UNLESS OTHERWISE SPECIFIED:		PRODUCT SPEC		NAME
0 PLC ±0.1	1 PLC ±0.1	108-2254		CARD EDGE CONNECTOR, VERTICAL MICRO TCA
2 PLC ±0.13	3 PLC ±0.013	APPLICATION SPEC		SIZE
4 PLC ±0.0001	ANGLES ±	114-13180		CAGE CODE
FINISH		WEIGHT		DRAWING NO
		CUSTOMER DRAWING		A200779
		SCALE 2:1		DRAWING NO
		SHEET 2 OF 2		RESTRICTED TO
		REV C		

单击下面可查看定价，库存，交付和生命周期等信息

[>>TE Connectivity\(泰科\)](#)