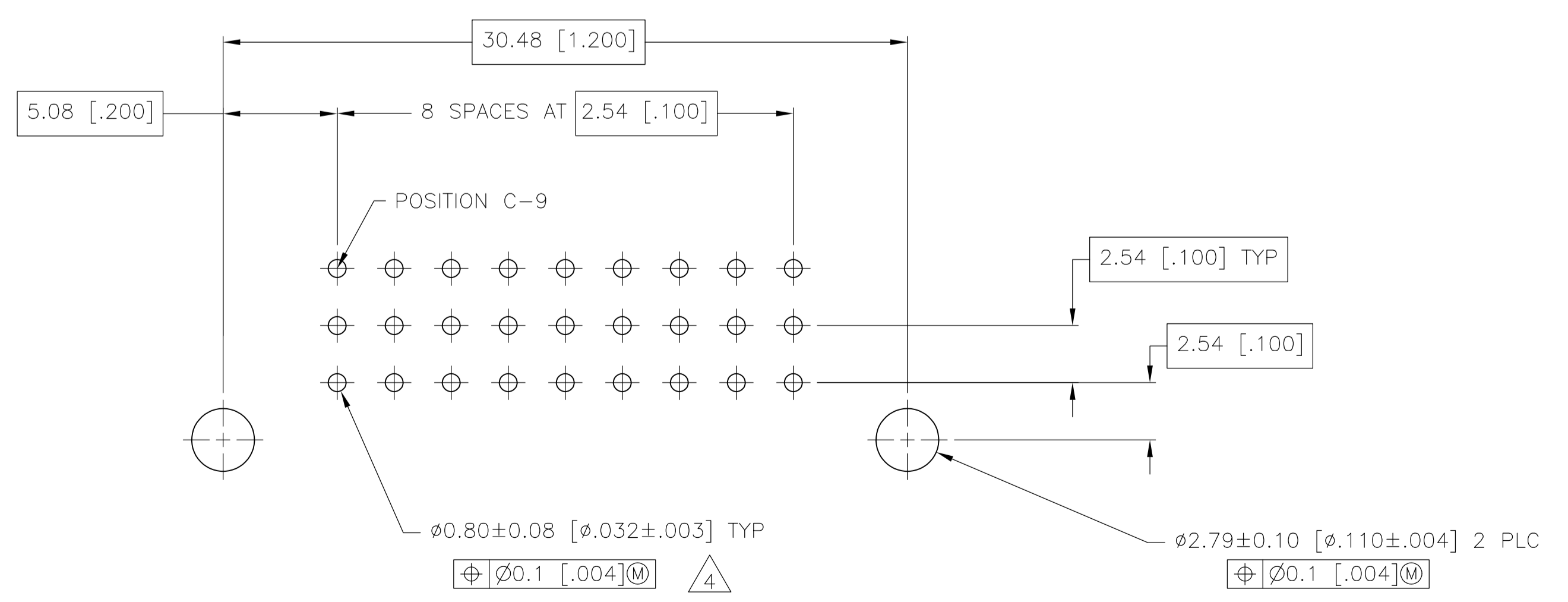
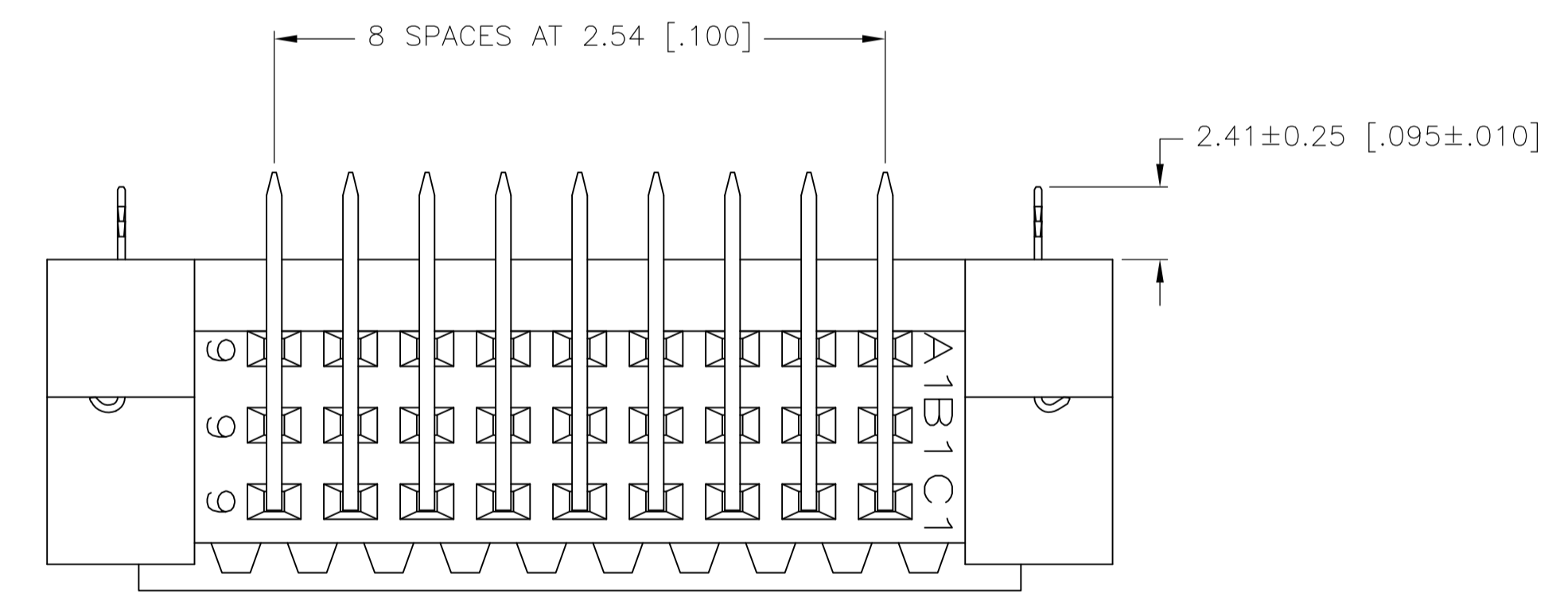
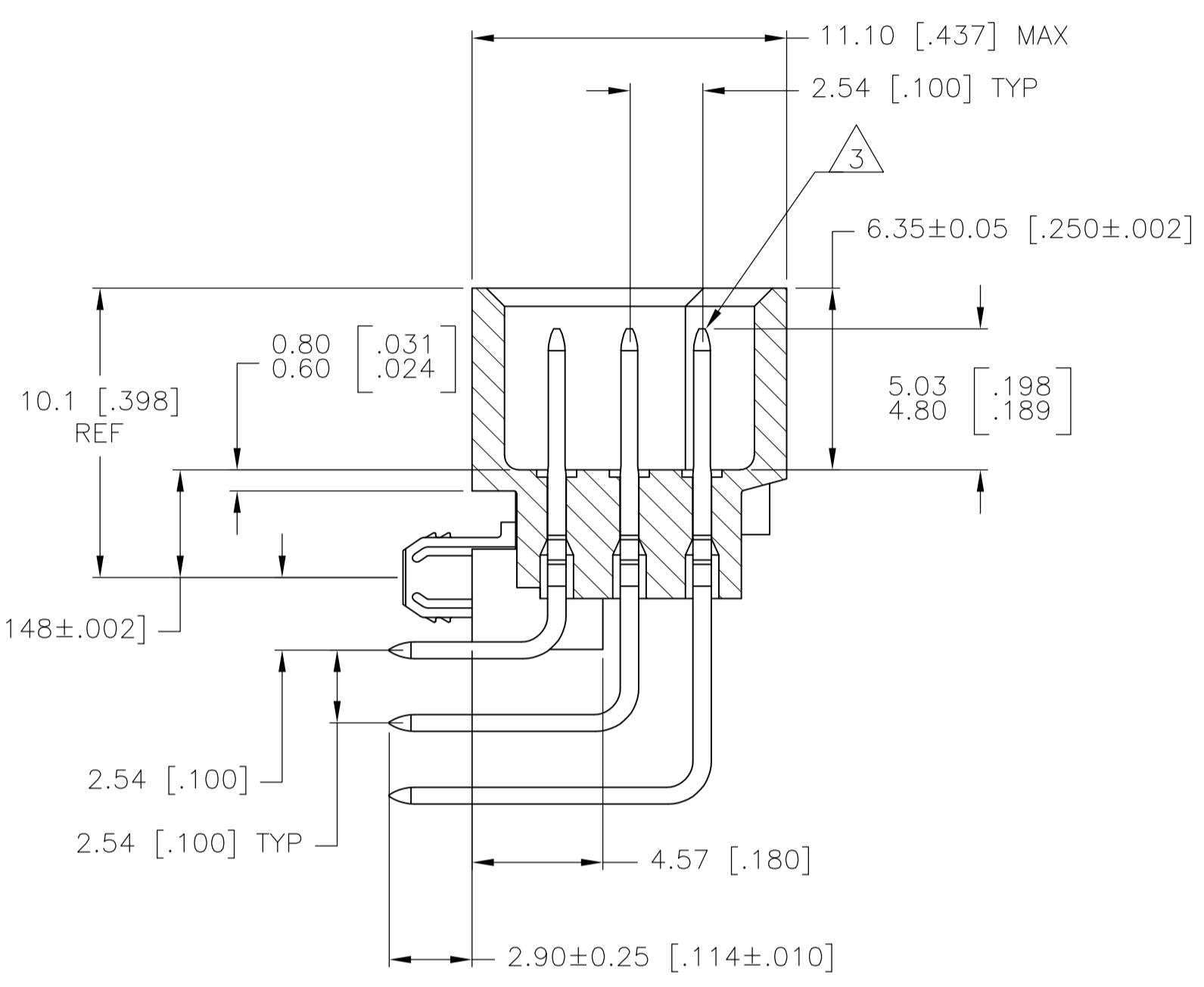
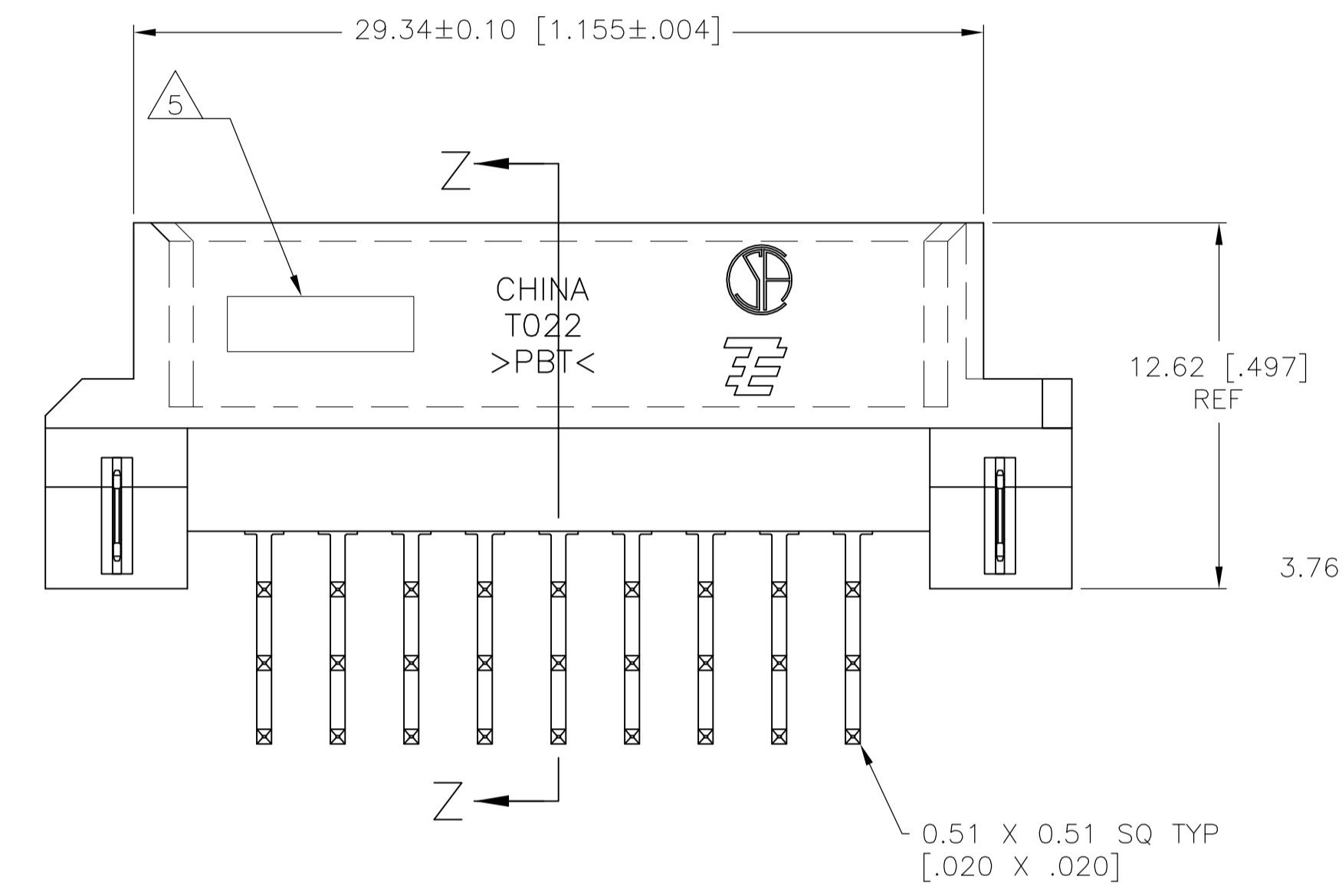
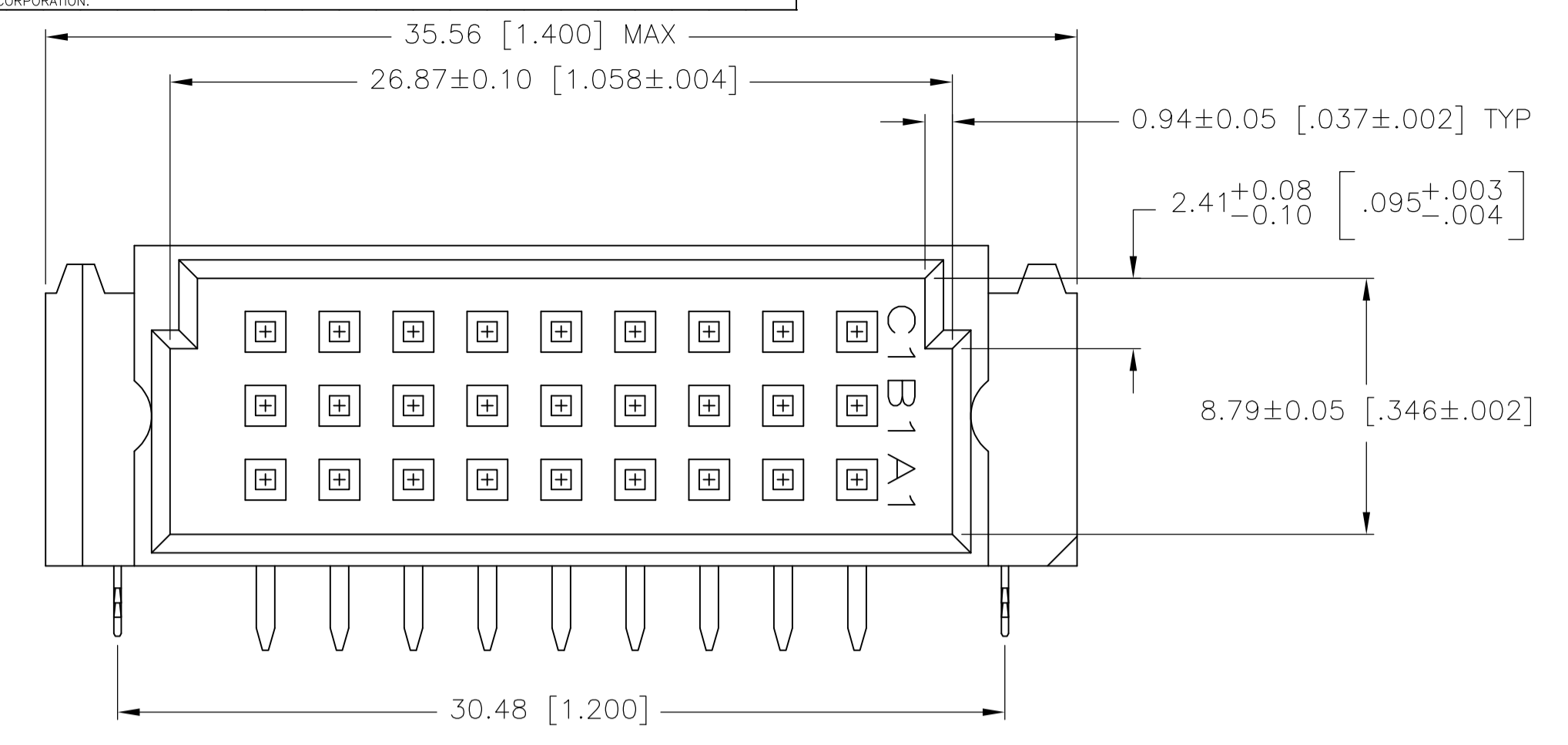


LOC		DIST		REVISIONS			
P	LTR	DESCRIPTION	DATE	DMN	APVD		
D		REVISED PER ECO-10-008084	26APR10	HMR	JG		



- 1 HOUSING MATERIAL: GLASS FILLED POLYESTER, COLOR: GRAY.
- 2 POST MATERIAL: BRASS
- 3 POST FINISH: 0.00076[.000030] MIN GOLD IN MATING AREA, 0.00254-0.00508[.000100-.000200] TIN-LEAD ON SOLDER TAILS, ALL OVER .00127[.000050] MIN NICKEL.
- 4 RECOMMENDED HOLE SIZE FOR MANUAL APPLICATION OF CONNECTOR ONTO PC BOARD.
- 5 PART NUMBER, DATE CODE MARKED ON OPPOSITE SIDE, THIS APPROX AREA.
- 6. CURRENT RATING - 2 AMPS MAXIMUM PER CONTACT.
- 7 POST FINISH: 0.00076[.000030] MIN GOLD IN MATING AREA, 0.00254-0.00508[.000100-.000200] MATTE TIN ON SOLDER TAILS, ALL OVER 0.00127[.000050] MIN NICKEL.

SUPERSEDED BY 5-1571435-1	27	5-1571435-1
	27	1571435-1
FINISH	NO. OF POSN	PART NUMBER

THIS DRAWING IS A CONTROLLED DOCUMENT.		DIN R BROWN 12FEB03	Tyco Electronics Corporation Harrisburg, PA 17105-3608	
DIMENSIONS: mm		CHK J GESFORD 12FEB03	NAME Tyco Electronics	
TOLERANCES UNLESS OTHERWISE SPECIFIED:		APVD J GESFORD 12FEB03	PRODUCT SPEC	
0 PLC ± -		APPLICATION SPEC		
1 PLC ± -		SIZE		
2 PLC ± 0.13[.005]		CAGE CODE		
3 PLC ± -		DRAWING NO		
4 PLC ± -		WEIGHT		
ANGLES ± -		A1 00779 C=1571435		
MATERIAL		CUSTOMER DRAWING		
FINISH SEE TABLE		SCALE 5:1 SHEET 1 OF 1 REV D		

单击下面可查看定价，库存，交付和生命周期等信息

[>>TE Connectivity\(泰科\)](#)