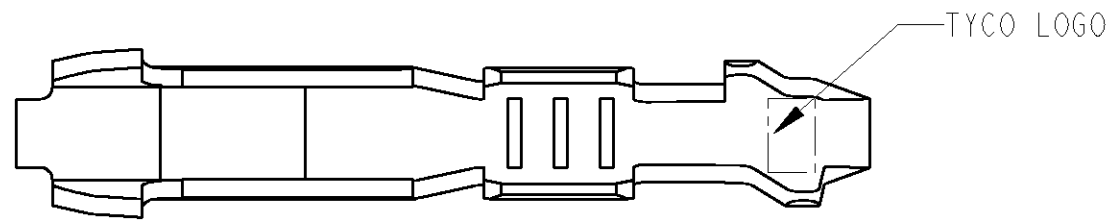


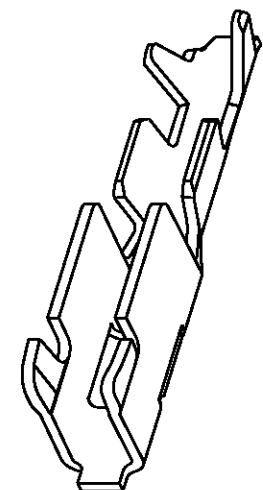
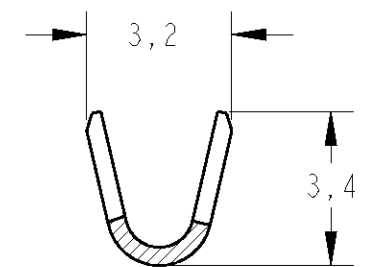
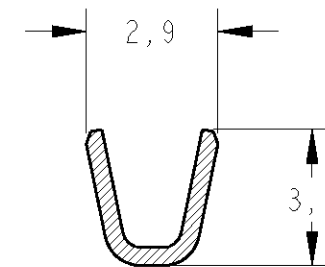
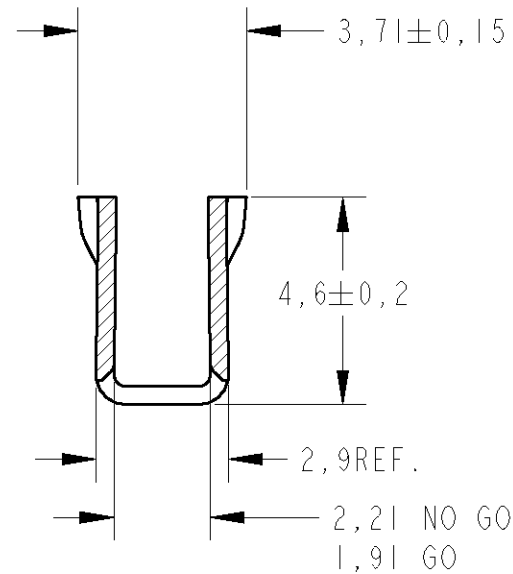
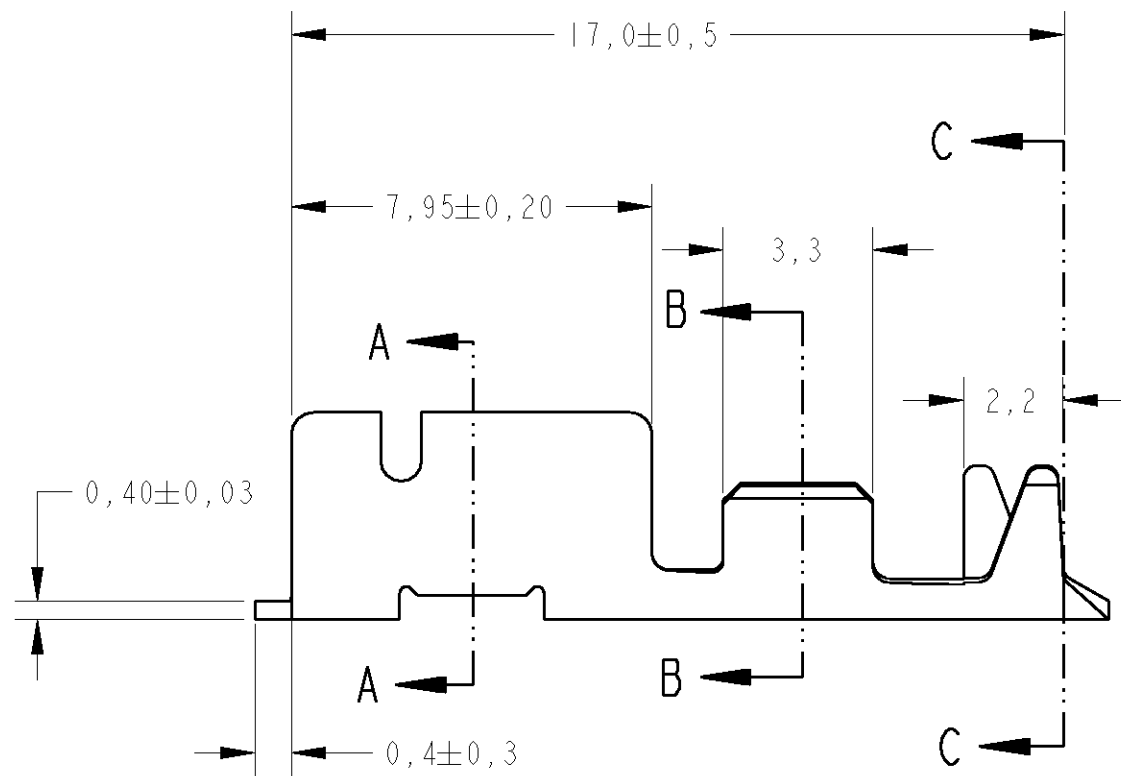
THIS DRAWING IS UNPUBLISHED. RELEASED FOR PUBLICATION 20
 © COPYRIGHT 20 BY TYCO ELECTRONICS CORPORATION. ALL RIGHTS RESERVED.

LOC	DIST	REVISIONS					
		P	LTR	DESCRIPTION	DATE	DWN	APVD
AP	-	0		RELEASED LE10-0300/04	30SEP2004	H.C	WLS



1- FITA CONTINUA EM BOBINA.
CONTINUOUS STRIP ON REEL.

2- INSERTION FORCE 60N
EXTRACTION FORCE 12N
PER CONTACT WHEN USED 2,285mm ±0,002 DIA PIN GAGE 0,2RA.



SCALE 4:1

Ø 1,2/2,0mm	0,5/0,75mm ²	NÚ/NONE	PH BRONZE T3	1599107-1
INSULATION RANGE	WIRE RANGE	FINISH	MATERIAL	PART NUMBER

<small>THIS DRAWING IS A CONTROLLED DOCUMENT FOR TYCO ELECTRONICS CORPORATION IT IS SUBJECT TO CHANGE AND THE CONTROLLING ENGINEERING ORGANIZATION SHOULD BE CONTACTED FOR THE LATEST REVISION.</small>		DWN 04jun2003 H.C.CANTERI CHK - APVD - PRODUCT SPEC - APPLICATION SPEC - WEIGHT -	TYCO ELECTRONICS do Brasil LTDA. São Paulo, Brasil	NAME RECEPTACLE, CLUSTER PIN, 2.29 (.090) DIA.	RESTRICTED TO -
DIMENSIONS: mm 	TOLERANCES UNLESS OTHERWISE SPECIFIED: 0 PLC ±- 1 PLC ±0,30 2 PLC ±0,25 3 PLC ±- 4 PLC ±- ANGLES ±- FINISH -	SIZE A3 CAGE CODE 00779 DRAWING NO C-1599107	SCALE 6/1 SHEET 1 OF 1 REV 0		

单击下面可查看定价，库存，交付和生命周期等信息

[>>TE Connectivity\(泰科\)](#)