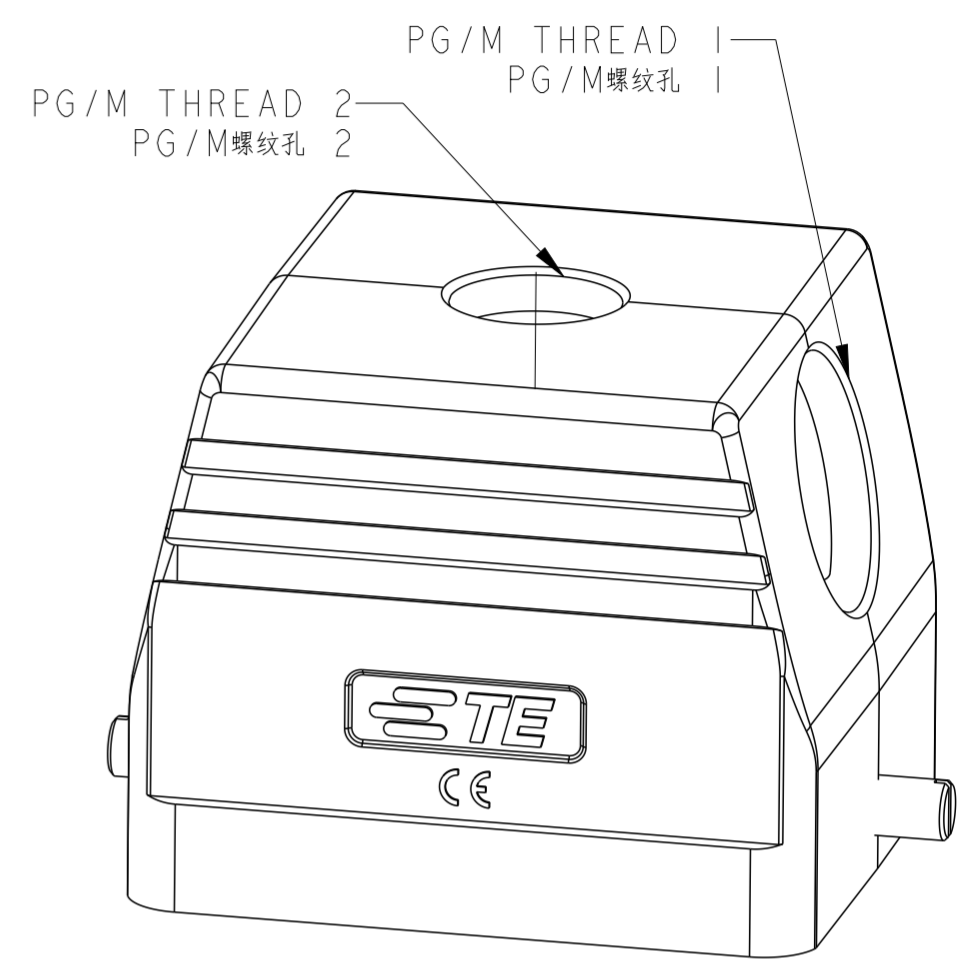
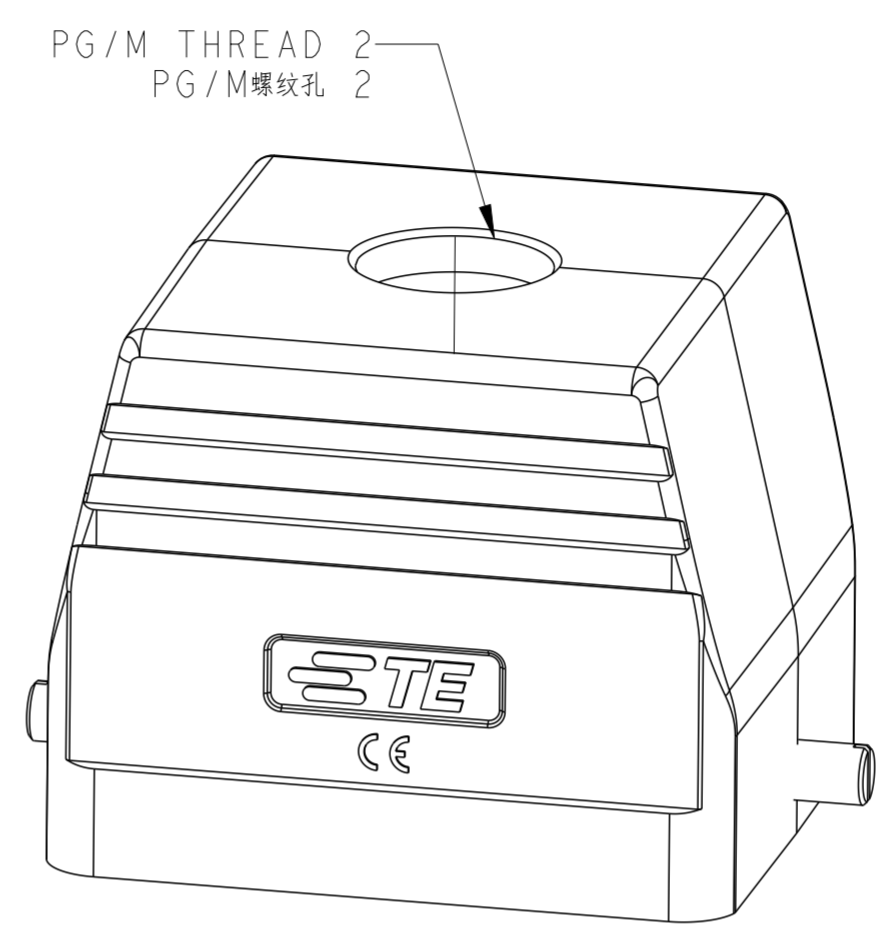
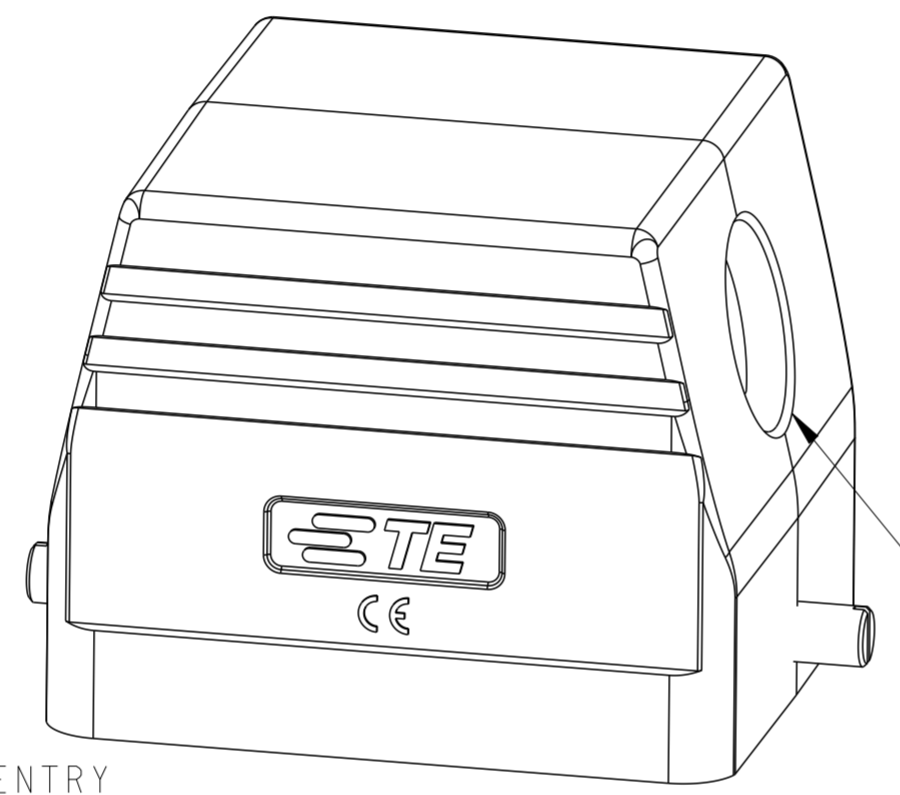
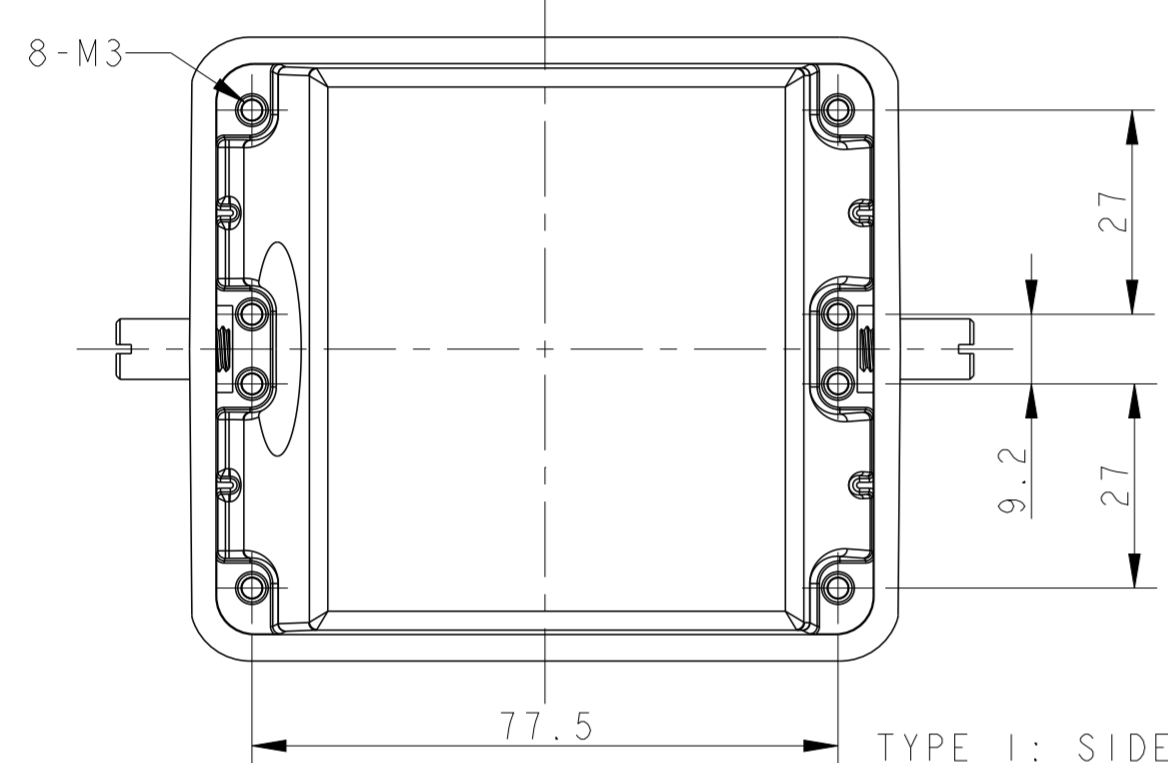
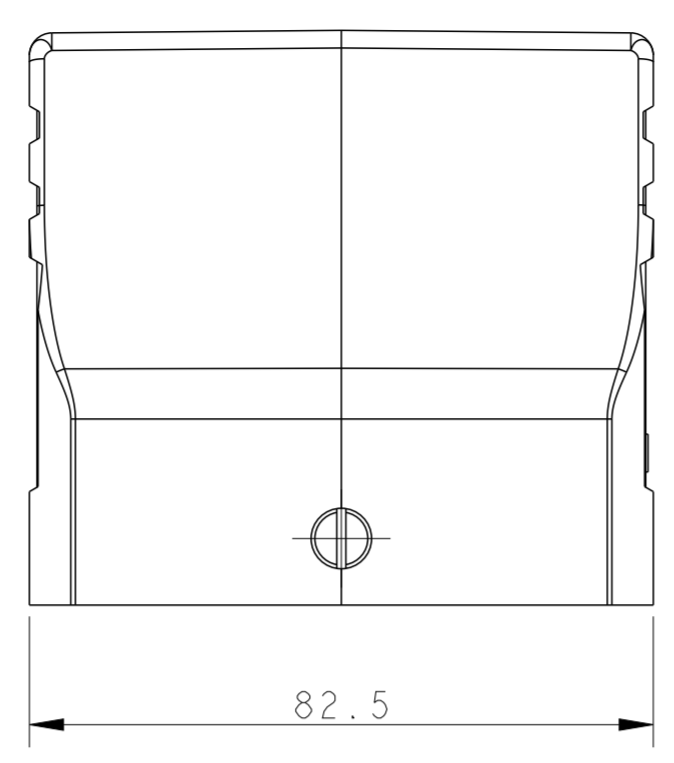
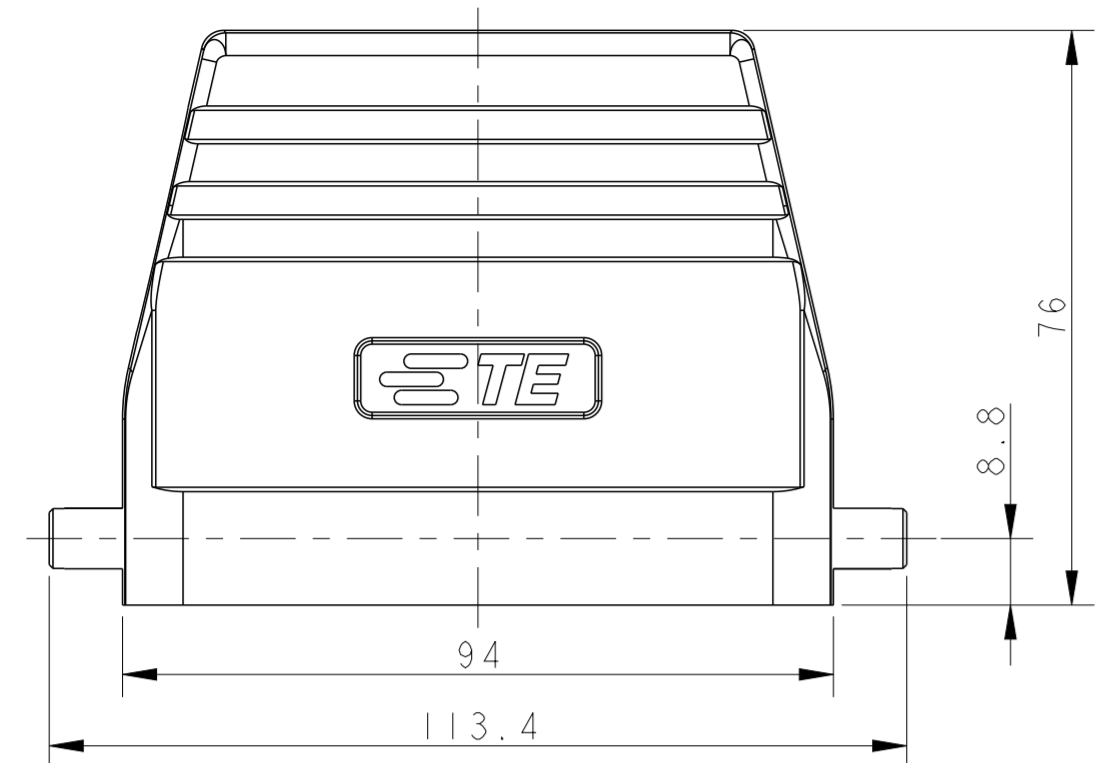


THIS DRAWING IS UNPUBLISHED. RELEASED FOR PUBLICATION 20
 © COPYRIGHT 20 BY - ALL RIGHTS RESERVED.

| REVISIONS | | | | | |
|-----------|-----|-----------------|-----------|-----|------|
| P | LTR | DESCRIPTION | DATE | DWN | APVD |
| A | | INITIAL RELEASE | 02JUN2015 | DL | CW |
| AI | | ECR-18-004153 | 08AUG2018 | GY | CW |
| B | | ECR-21-109004 | 13AUG2021 | WOR | CW |
| BI | | ECR-23-171683 | 12APR2023 | AC | CW |



TYPE 1: SIDE ENTRY
类型1: 侧出

TYPE 2: TOP ENTRY, UNDEFINED DIMENSIONS REFER TO TYPE 1.
类型2: 顶出, 未定义尺寸规格参照类型1。

TYPE 3: SIDE/TOP ENTRY, UNDEFINED DIMENSIONS REFER TO TYPE 1.
类型3: 侧/顶出, 未定义尺寸规格参照类型1。

PG/M THREAD 1
PG/M螺纹孔 1

NOTES:

- TECHNICAL CHARACTERISTICS:
 BODY MATERIAL: DIE CAST ALUMINIUM ALLOY
 SURFACE TREATMENT: POWDER-COATED, GRAY
 DEGREE OF PROTECTION: IP65 (MATED)

注释:

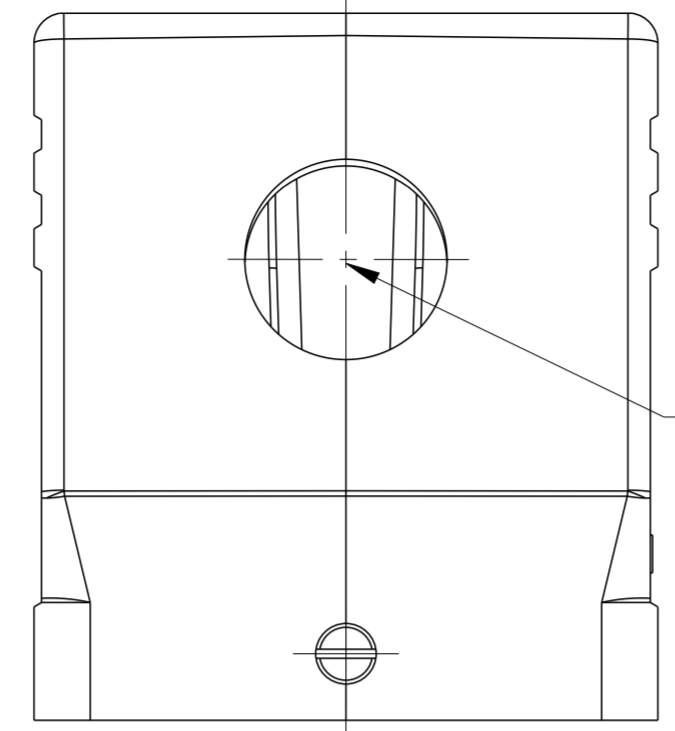
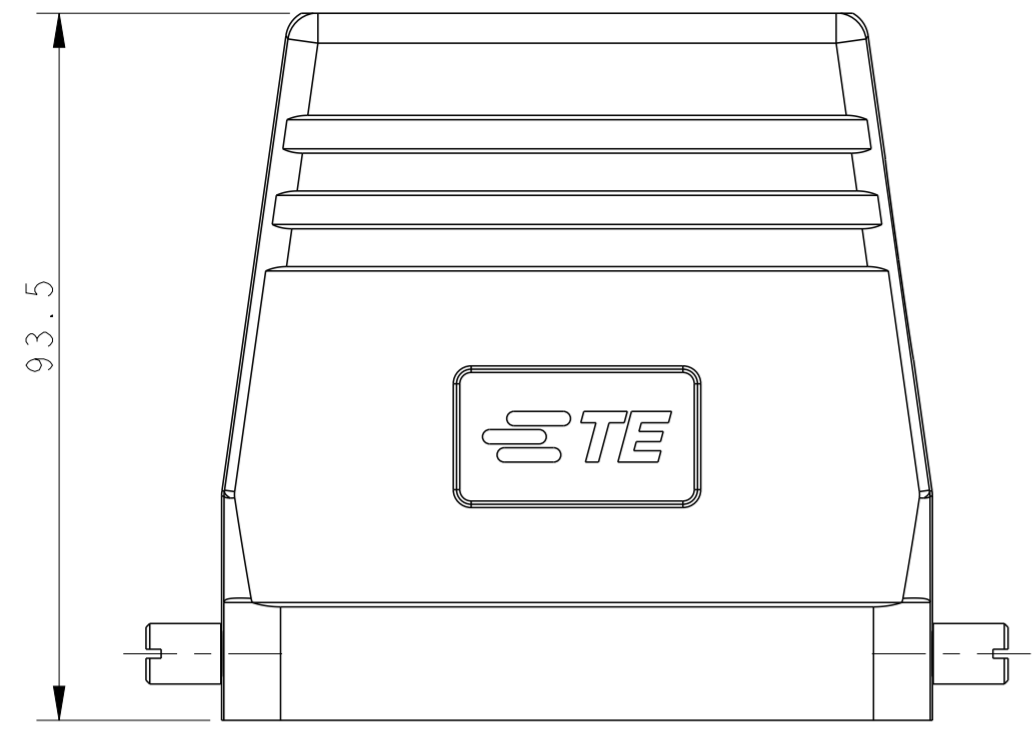
- 技术参数:
 主体材料: 铝合金
 表面处理: 粉末喷涂, 灰色
 防护等级: IP65(配合)

| PART NUMBER 料号 | PART DESCRIPTION 描述 | PG/M THREAD 1 PG/M螺纹孔1 | PG/M THREAD 2 PG/M螺纹孔2 | TYPE 类型 |
|-------------------|---|---------------------------|---------------------------|---------------|
| T1310320121-000 | H32B-TS-RO-PG21 H32B上壳, 侧出PG21, 2耳, 灰色粉末喷涂 | PG21 | - | TYPE 1 类型1 |
| T1310320129-000 | H32B-TS-RO-PG29 H32B上壳, 侧出PG29, 2耳, 灰色粉末喷涂 | PG29 | - | |
| T1310320132-000 | H32B-TS-RO-M32 H32B上壳, 侧出M32, 2耳, 灰色粉末喷涂 | M32 | - | |
| T1310320136-000 | H32B-TS-RO-PG36 H32B上壳, 侧出PG36, 2耳, 灰色粉末喷涂 | PG36 | - | |
| T1310320140-000 | H32B-TS-RO-M40 H32B上壳, 侧出M40, 2耳, 灰色粉末喷涂 | M40 | - | |
| T1310320150-000 | H32B-TS-RO-M50 H32B上壳, 侧出M50, 2耳, 灰色粉末喷涂 | M50 | - | TYPE 2 类型2 |
| T1320320121-000 | H32B-TG-RO-PG21 H32B上壳, 顶出PG21, 2耳, 灰色粉末喷涂 | - | PG21 | |
| T1320320125-000 | H32B-TG-RO-M25 H32B上壳, 顶出M25, 2耳, 灰色粉末喷涂 | - | M25 | |
| T1320320129-000 | H32B-TG-RO-PG29 H32B上壳, 顶出PG29, 2耳, 灰色粉末喷涂 | - | PG29 | |
| T1320320132-000 | H32B-TG-RO-M32 H32B上壳, 顶出M32, 2耳, 灰色粉末喷涂 | - | M32 | |
| T1320320136-000 | H32B-TG-RO-PG36 H32B上壳, 顶出PG36, 2耳, 灰色粉末喷涂 | - | PG36 | |
| T1320320140-000 | H32B-TG-RO-M40 H32B上壳, 顶出M40, 2耳, 灰色粉末喷涂 | - | M40 | |
| T1320320142-000 | H32B-TG-RO-PG42 H32B上壳, 顶出PG42, 2耳, 灰色粉末喷涂 | - | PG42 | |
| T1320320150-000 | H32B-TG-RO-M50 H32B上壳, 顶出M50, 2耳, 灰色粉末喷涂 | - | M50 | |
| T1320320163-000 | H32B-TG-RO-M63 H32B上壳, 顶出M63, 2耳, 灰色粉末喷涂 | - | M63 | |
| T1320320225-000 | H32B-TG-RO-2M25 H32B上壳, 侧顶出M25, 2耳, 灰色粉末喷涂 | M25 | M25 | TYPE 3 类型3 |

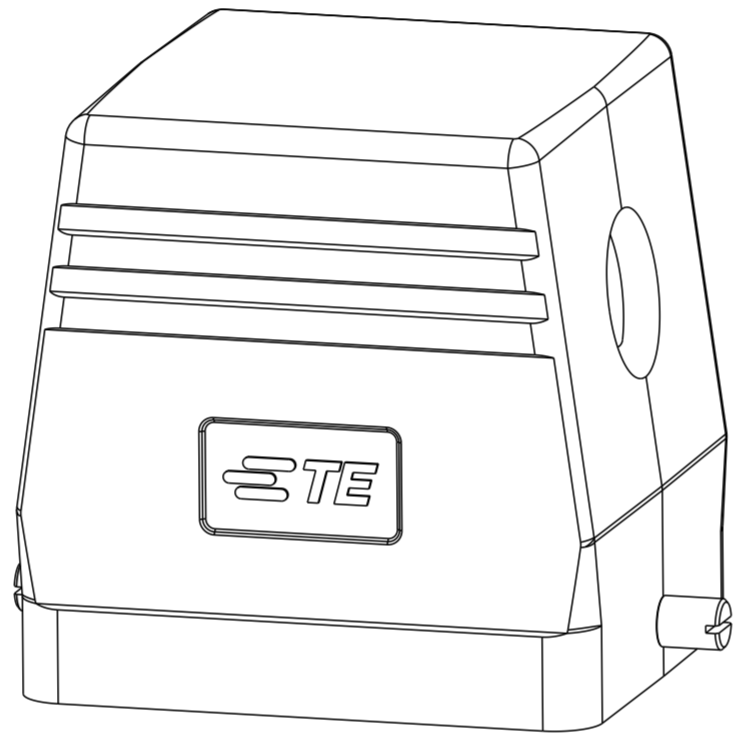
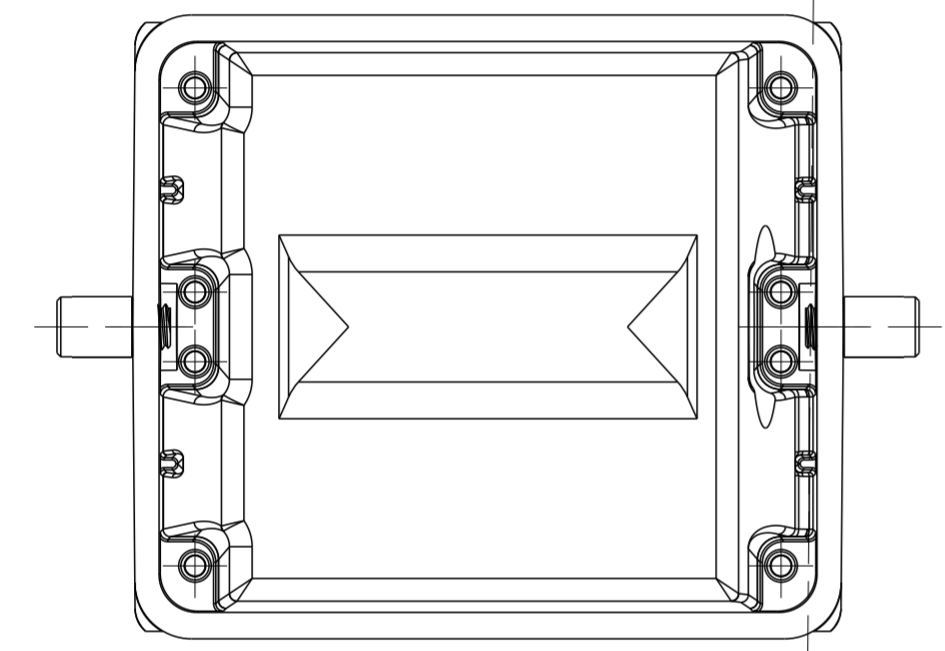
| | | | | | | |
|---|--|-----------------------------|-----------------|-----------------|---------------------------------|---------------|
| THIS DRAWING IS A CONTROLLED DOCUMENT. | | DWN DAVID LI 02JUN2015 | TE Connectivity | | | |
| DIMENSIONS: mm | | CHK CHRIS WANG 02JUN2015 | | | NAME H32B-TS/TG/TSH/TGH-RO-M/PG | |
| TOLERANCES UNLESS OTHERWISE SPECIFIED: | | APVD XU XIANG 02JUN2015 | | | | |
| 0 PLC ± 1 PLC ± 2 PLC ± 3 PLC ± 4 PLC ± ANGLES ± | | PRODUCT SPEC 108-137013 | | | | |
| MATERIAL - | | APPLICATION SPEC 114-137013 | SIZE A2 | CAGE CODE 00779 | DRAWING NO C-T13X0320XXX000 | RESTRICTED TO |
| FINISH - | | WEIGHT - | SCALE 1:1 | | SHEET 1 OF 2 | REV BI |
| - | | CUSTOMER DRAWING | | | | |

THIS DRAWING IS UNPUBLISHED. RELEASED FOR PUBLICATION 20
 © COPYRIGHT 20 BY - ALL RIGHTS RESERVED.

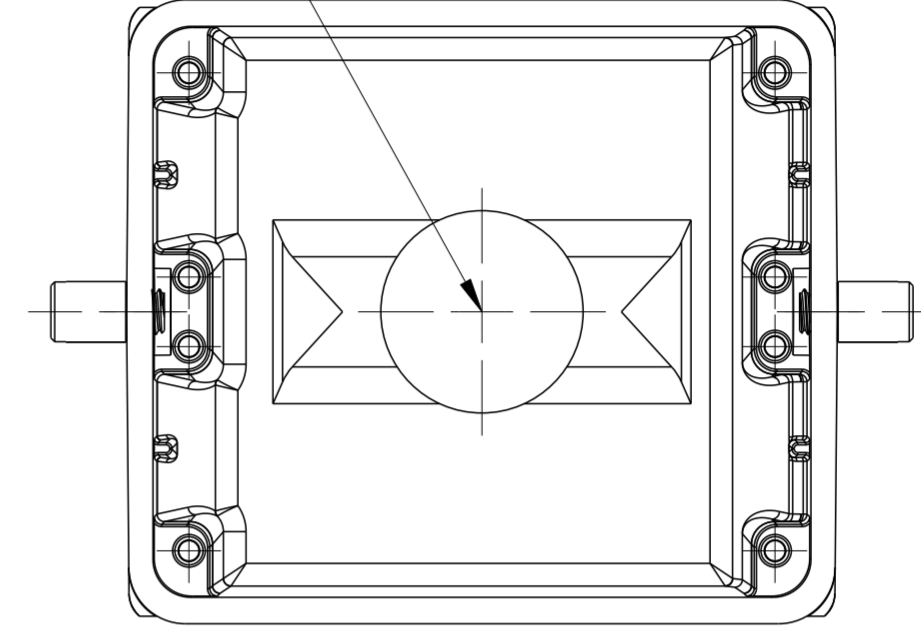
| REVISIONS | | | | |
|-----------|-----|-------------|------|------|
| P | LTR | DESCRIPTION | DATE | APVD |
| | | SEE SHEET 1 | | |
| | | | | |
| | | | | |



PG/M THREAD 4
PG/M螺纹孔 4



PG/M THREAD 5
PG/M螺纹孔 5



TYPE 4: HIGH CONSTRUCTION, SIDE ENTRY, UNDEFINED DIMENSIONS REFER TO TYPE 1.
 类型4: 高结构, 侧出, 未定义尺寸 & 规格参照类型1.

TYPE 5: HIGH CONSTRUCTION, TOP ENTRY, UNDEFINED DIMENSIONS REFER TO TYPE 4.
 类型5: 高结构, 顶出, 未定义尺寸 & 规格参照类型4.

| PART NUMBER 料号 | PART DESCRIPTION 描述 | PG/M THREAD 4 PG/M螺纹孔4 | PG/M THREAD 5 PG/M螺纹孔5 | TYPE 类型 |
|-------------------|--|---------------------------|---------------------------|---------------|
| T1330320121-000 | H32B HOOD, SIDE ENTRY PG21, 2 EAR, HIGH CONSTRUCTION, POWDER COATED, GREY H32B上壳, 侧出PG21, 2耳, 高结构, 灰色粉末喷涂 | PG21 | - | TYPE 4 类型4 |
| T1330320129-000 | H32B HOOD, SIDE ENTRY PG29, 2 EAR, HIGH CONSTRUCTION, POWDER COATED, GREY H32B上壳, 侧出PG29, 2耳, 高结构, 灰色粉末喷涂 | PG29 | - | |
| T1330320132-000 | H32B HOOD, SIDE ENTRY M32, 2 EAR, HIGH CONSTRUCTION, POWDER COATED, GREY H32B上壳, 侧出M32, 2耳, 高结构, 灰色粉末喷涂 | M32 | - | |
| T1330320136-000 | H32B HOOD, SIDE ENTRY PG36, 2 EAR, HIGH CONSTRUCTION, POWDER COATED, GREY H32B上壳, 侧出PG36, 2耳, 高结构, 灰色粉末喷涂 | PG36 | - | |
| T1330320140-000 | H32B HOOD, SIDE ENTRY M40, 2 EAR, HIGH CONSTRUCTION, POWDER COATED, GREY H32B上壳, 侧出M40, 2耳, 高结构, 灰色粉末喷涂 | M40 | - | |
| T1330320150-000 | H32B HOOD, SIDE ENTRY M50, 2 EAR, HIGH CONSTRUCTION, POWDER COATED, GREY H32B上壳, 侧出M50, 2耳, 高结构, 灰色粉末喷涂 | M50 | - | TYPE 5 类型5 |
| T1340320121-000 | H32B HOOD, TOP ENTRY PG21, 2 EAR, HIGH CONSTRUCTION, POWDER COATED, GREY H32B上壳, 顶出PG21, 2耳, 高结构, 灰色粉末喷涂 | - | PG21 | |
| T1340320125-000 | H32B HOOD, TOP ENTRY M25, 2 EAR, HIGH CONSTRUCTION, POWDER COATED, GREY H32B上壳, 顶出M25, 2耳, 高结构, 灰色粉末喷涂 | - | M25 | |
| T1340320129-000 | H32B HOOD, TOP ENTRY PG29, 2 EAR, HIGH CONSTRUCTION, POWDER COATED, GREY H32B上壳, 顶出PG29, 2耳, 高结构, 灰色粉末喷涂 | - | PG29 | |
| T1340320132-000 | H32B HOOD, TOP ENTRY M32, 2 EAR, HIGH CONSTRUCTION, POWDER COATED, GREY H32B上壳, 顶出M32, 2耳, 高结构, 灰色粉末喷涂 | - | M32 | |
| T1340320136-000 | H32B HOOD, TOP ENTRY PG36, 2 EAR, HIGH CONSTRUCTION, POWDER COATED, GREY H32B上壳, 顶出PG36, 2耳, 高结构, 灰色粉末喷涂 | - | PG36 | |
| T1340320140-000 | H32B HOOD, TOP ENTRY M40, 2 EAR, HIGH CONSTRUCTION, POWDER COATED, GREY H32B上壳, 顶出M40, 2耳, 高结构, 灰色粉末喷涂 | - | M40 | |
| T1340320142-000 | H32B HOOD, TOP ENTRY PG42, 2 EAR, HIGH CONSTRUCTION, POWDER COATED, GREY H32B上壳, 顶出PG42, 2耳, 高结构, 灰色粉末喷涂 | - | PG42 | |
| T1340320150-000 | H32B HOOD, TOP ENTRY M50, 2 EAR, HIGH CONSTRUCTION, POWDER COATED, GREY H32B上壳, 顶出M50, 2耳, 高结构, 灰色粉末喷涂 | - | M50 | |
| T1340320163-000 | H32B HOOD, TOP ENTRY M63, 2 EAR, HIGH CONSTRUCTION, POWDR COATED, GREY H32B上壳, 顶出M63, 2耳, 高结构, 灰色粉末喷涂 | - | M63 | |

| | | | | |
|--|--|-----------------------------|---|--|
| THIS DRAWING IS A CONTROLLED DOCUMENT. | | DWN DAVID LI 02JUN2015 | TE Connectivity | |
| DIMENSIONS: mm | | CHK CHRIS WANG 02JUN2015 | | |
| TOLERANCES UNLESS OTHERWISE SPECIFIED: | | APVD XU XIANG 02JUN2015 | NAME H32B-TS/TG/TSH/TGH-RO-M/PG | |
| | | PRODUCT SPEC 108-137013 | SIZE CAGE CODE DRAWING NO RESTRICTED TO | |
| MATERIAL - | | APPLICATION SPEC 114-137013 | A200779 C-T13X0320XXX000 | |
| FINISH - | | WEIGHT - | SCALE 1:1 SHEET 2 OF 2 REV B1 | |
| | | CUSTOMER DRAWING | | |

单击下面可查看定价，库存，交付和生命周期等信息

[>>TE Connectivity\(泰科\)](#)