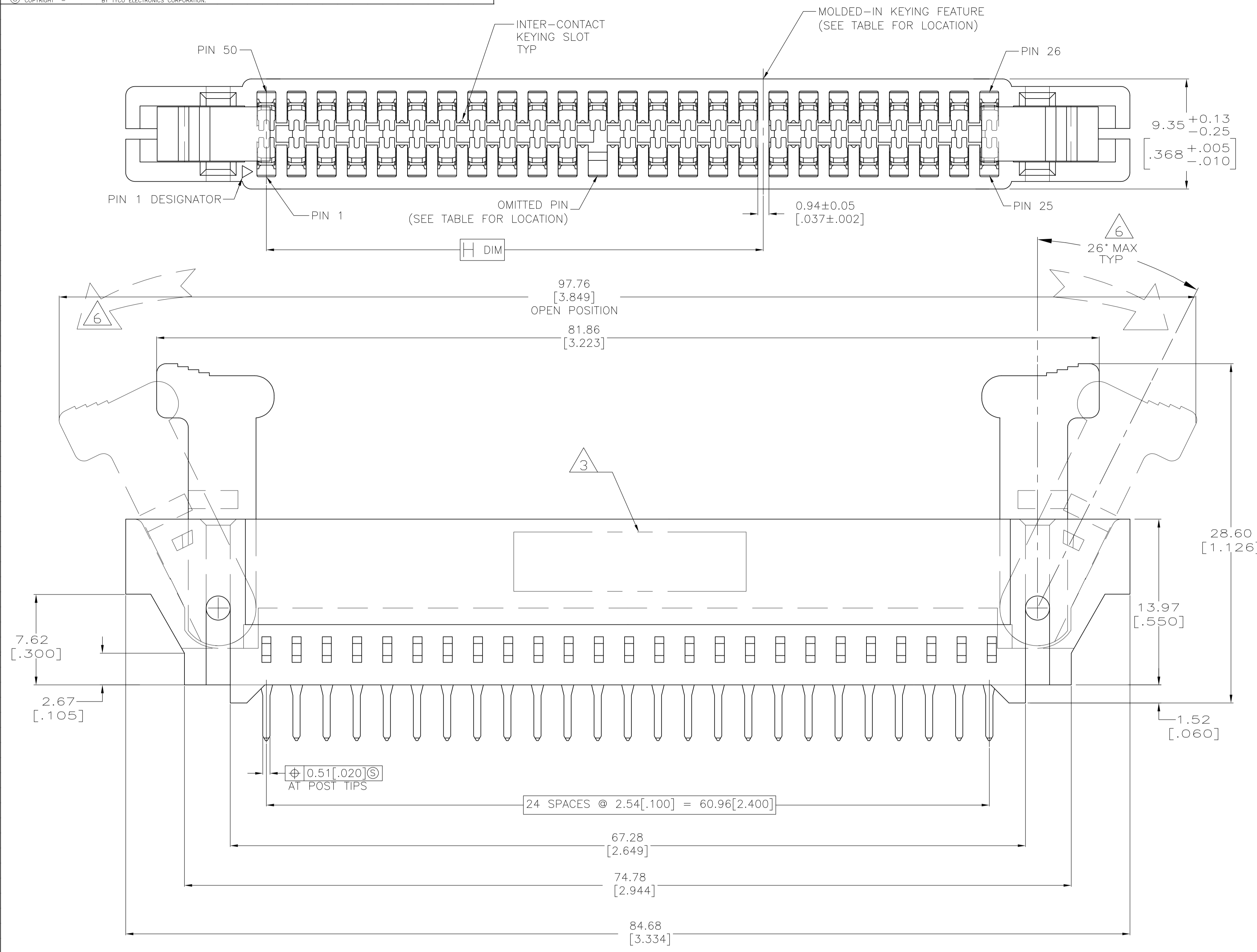
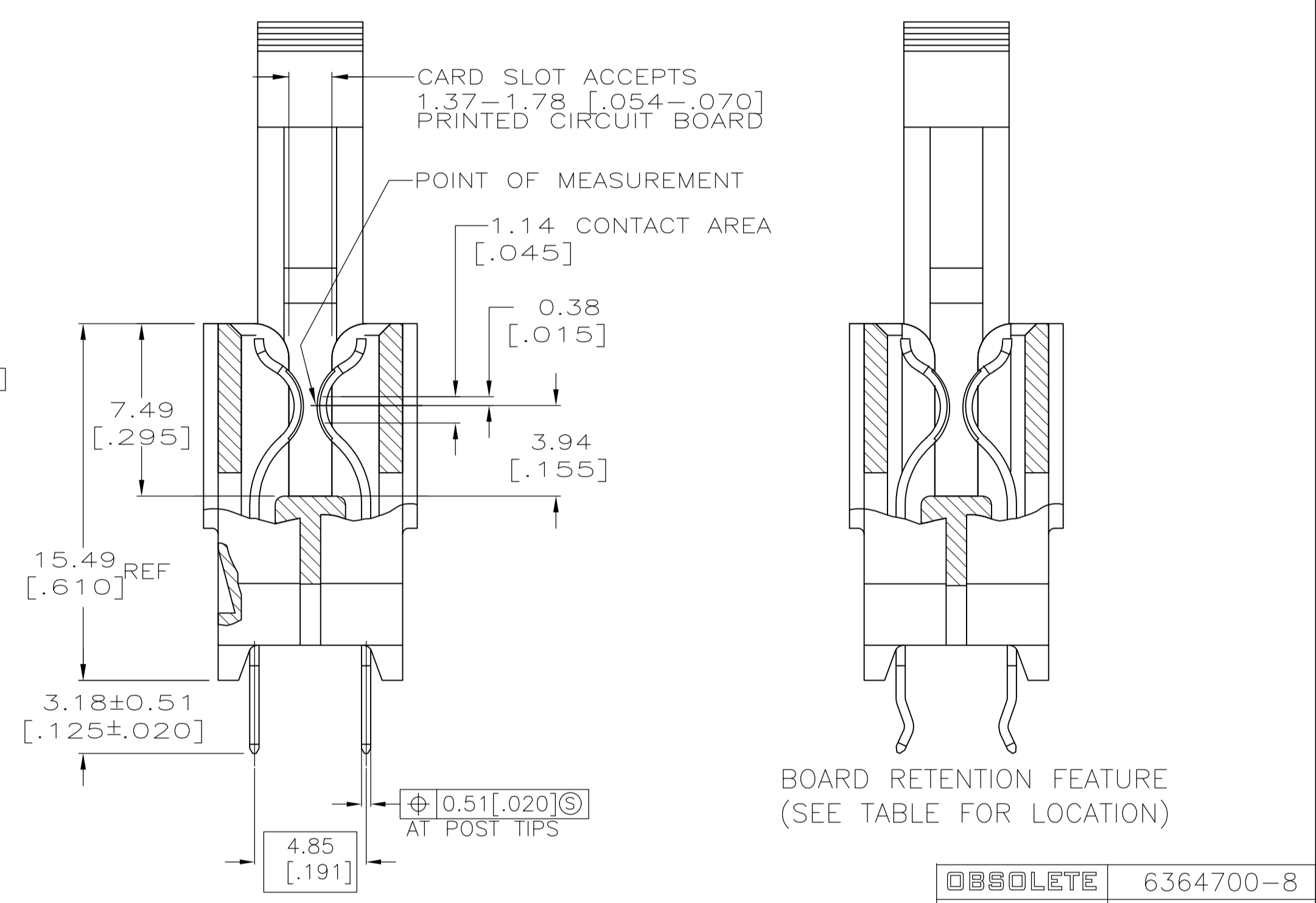


LOC		DIST		REVISIONS			
P	LTR	DESCRIPTION	DATE	DMN	APVD		
B		ECO-07-026535	01APR2008	LAM	AWF		
B1		ECO-10-000444	19JAN10	KK	HMR		



- MATERIAL:  
 HOUSING: GLASS FILLED POLYESTER; COLOR: BLACK  
 CONTACT: PHOSPHOR BRONZE  
 LATCH: GLASS FILLED POLYESTER, COLOR: BLACK
- FINISH:  
 0.00076[.000030] GOLD PLATE IN CONTACT AREA,  
 0.00254[.000100] MIN MATTE TIN LEAD ON SOLDER POSTS, ALL  
 OVER 0.00127[.000050] MIN NICKEL
- AMP LOGO, TE PART NUMBER, DATE CODE AND CSA LOGO INK STAMPED WHITE (HOT STAMPED OR LAZER PRINTED) IN THE APPROXIMATE AREA SHOWN, EITHER SIDE PERMISSABLE, WHEN HOUSING SIZE PERMITS
- DATUMS AND BASIC DIMENSIONS ESTABLISHED BY CUSTOMER
- CONNECTORS SHOWN ARE USED IN APPLICATIONS WITH VRM MODULES WEIGHING 3 OUNCES OR LESS. ALTERNATE CONNECTOR AND LATCH METHOD IS AVAILABLE FOR VRM MODULES WEIGHING UP TO 6 OUNCES.
- CAUTION: LATCHES ARE INTENDED FOR RETENTION OF PC BOARD TO CONNECTOR. DO NOT ATTEMPT TO FULLY EJECT PC BOARD FROM CONNECTOR WHILE DISENGAGING LATCHES. DAMAGE TO LATCHES AND OR CONNECTOR MAY OCCUR
- OBsolete PARTS: OBSOLETE CIS STREAMLINING PER D.RENAUD/D.SINISI



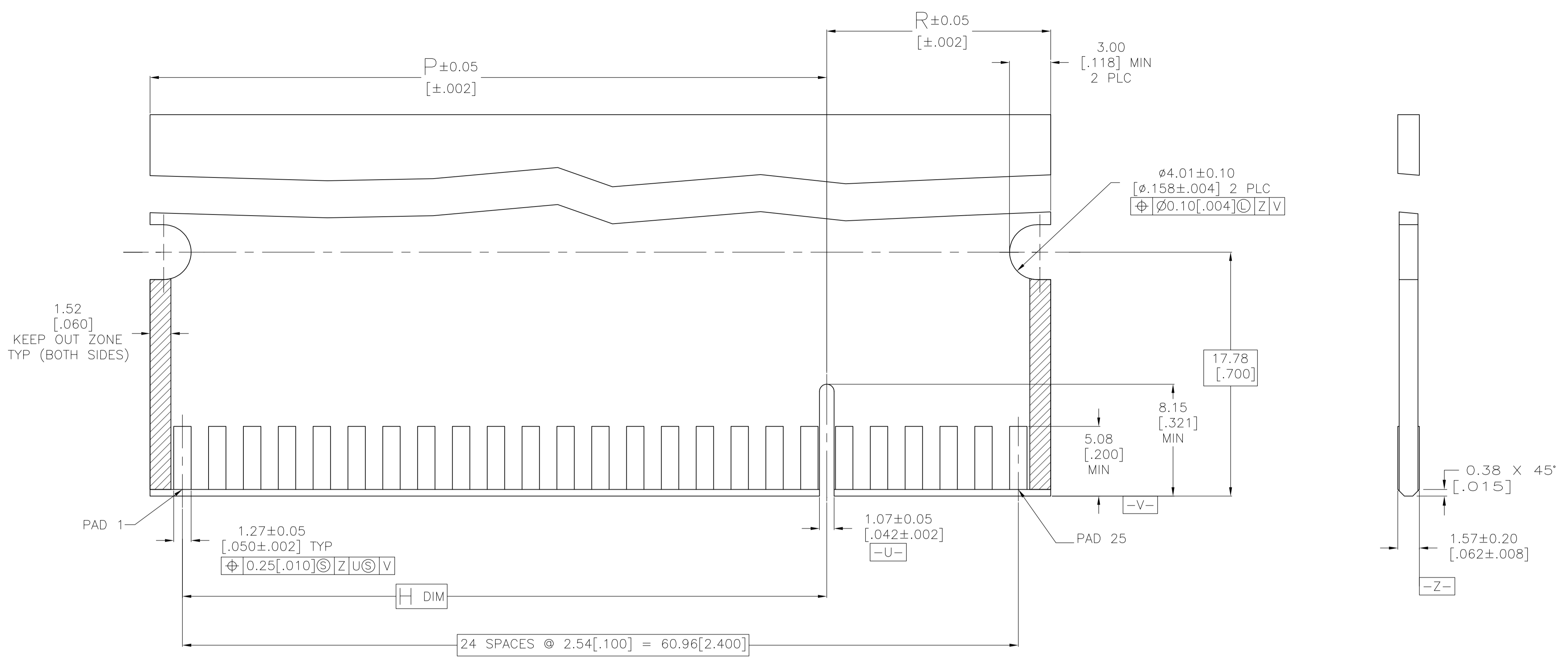
OBsolete	6364700-8
OBsolete	6364700-7
OBsolete	6364700-6
OBsolete	6364700-5
OBsolete	6364700-4
OBsolete	6364700-2
OBsolete	6364700-1

	2,3,23,24,27,28,48,49	19 & 20	12	16.33 [.643]	49.35 [1.943]	46.99 [1.850]	25	1-6364700-0
OBsolete	-	7 & 8	11	46.74 [1.843]	18.87 [.743]	16.51 [.650]	25	6364700-9
	-	19 & 20	12	16.33 [.643]	49.35 [1.943]	46.99 [1.850]	25	6364700-3
	BOARD RETENTION FEATURE LOCATION	MOLDED-IN KEYING FEATURE BETWEEN PINS	OMITTED PIN AND HOLE	R	P	H	NO OF DUAL POSN	PART NUMBER

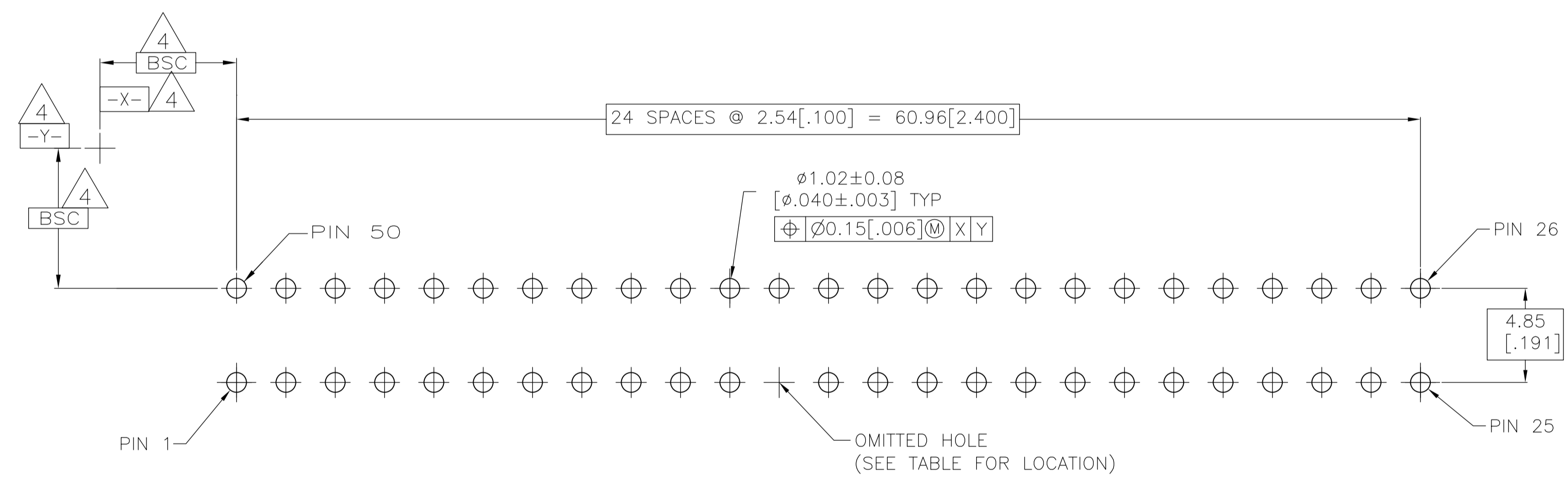
THIS DRAWING IS A CONTROLLED DOCUMENT.

DIMENSIONS: mm [INCHES]	TOLERANCES UNLESS OTHERWISE SPECIFIED:	0 PLC ± -	1 PLC ± -	2 PLC ± 0.13[.005]	3 PLC ± -	4 PLC ± -	ANGLES ± -
MATERIAL: SEE NOTE 1	FINISH: SEE NOTE 2	WEIGHT: -	SIZE: A1	CAGE CODE: 00779	DRAWING NO: 6364700	RESTRICTED TO: -	CUSTOMER DRAWING

THIS DRAWING IS A CONTROLLED DOCUMENT. JB/LA.MAYER 01APR2008, AW.FRANTUM 01APR2008, S.FLICKINGER 01APR2008. Tyco Electronics Corporation, Harrisburg, PA 17105-3608. CONNECTOR ASSEMBLY, STANDARD EDGE II, DUAL POSITION, 2.54[.100] CENTERLINE. SCALE 5:1, SHEET 1 OF 2, REV B1.



RECOMMENDED MATING BOARD EDGE CONFIGURATION



RECOMMENDED PC BOARD HOLE LAYOUT

THIS DRAWING IS A CONTROLLED DOCUMENT.		DIN JB/LA.MAYER 01APR2008		Tyco Electronics Corporation	
DIMENSIONS: mm [INCHES]		CIK A.W.FRANTUM 01APR2008		Harrisburg, PA 17105-3608	
TOLERANCES UNLESS OTHERWISE SPECIFIED:		APVD S.FLICKINGER 01APR2008		NAME	
0 PLC ± -		PRODUCT SPEC		CONNECTOR ASSEMBLY, STANDARD EDGE II, DUAL POSITION, 2.54 [.100] CENTERLINE	
1 PLC ± -		APPLICATION SPEC		SIZE	
2 PLC ± 0.13 [.005]		114-13018		CAGE CODE	
3 PLC ± -		WEIGHT		DRAWING NO	
4 PLC ± -		A1 00779		6364700	
ANGLES ± -		CUSTOMER DRAWING		SCALE 5:1 SHEET 2 OF 2 REV B1	
MATERIAL SEE NOTE 1		FINISH SEE NOTE 2		RESTRICTED TO	

单击下面可查看定价，库存，交付和生命周期等信息

[>>TE Connectivity\(泰科\)](#)