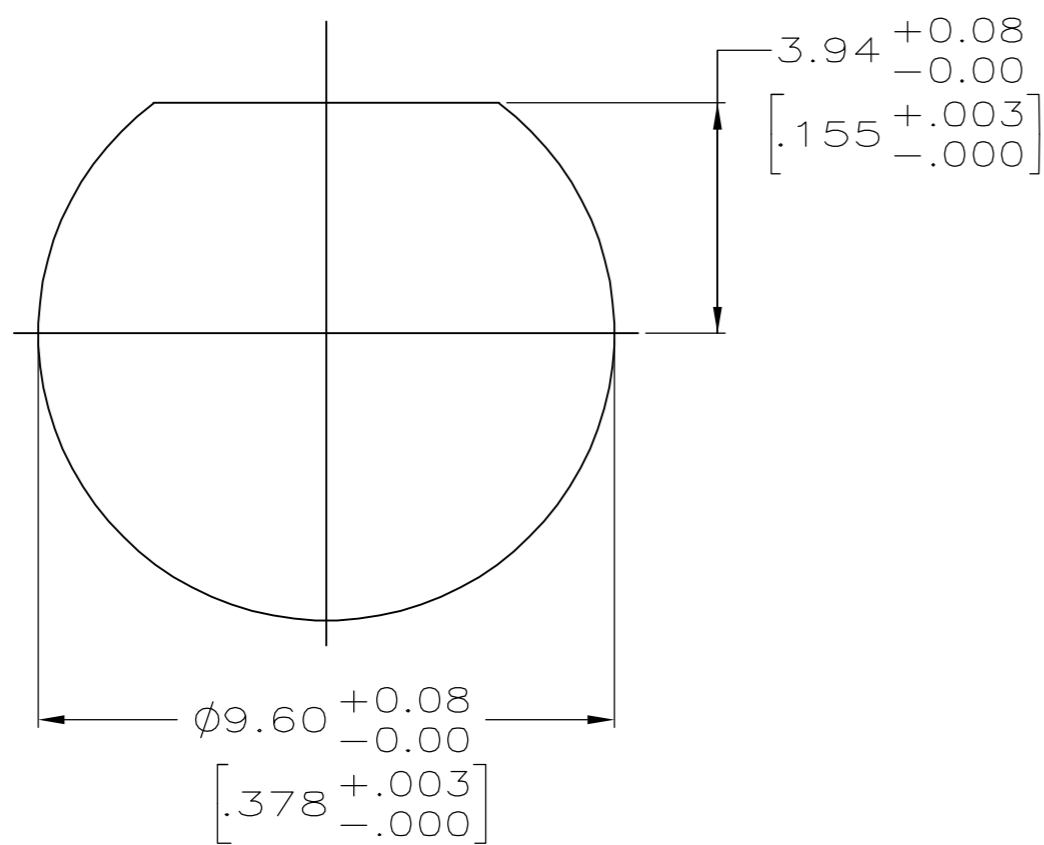
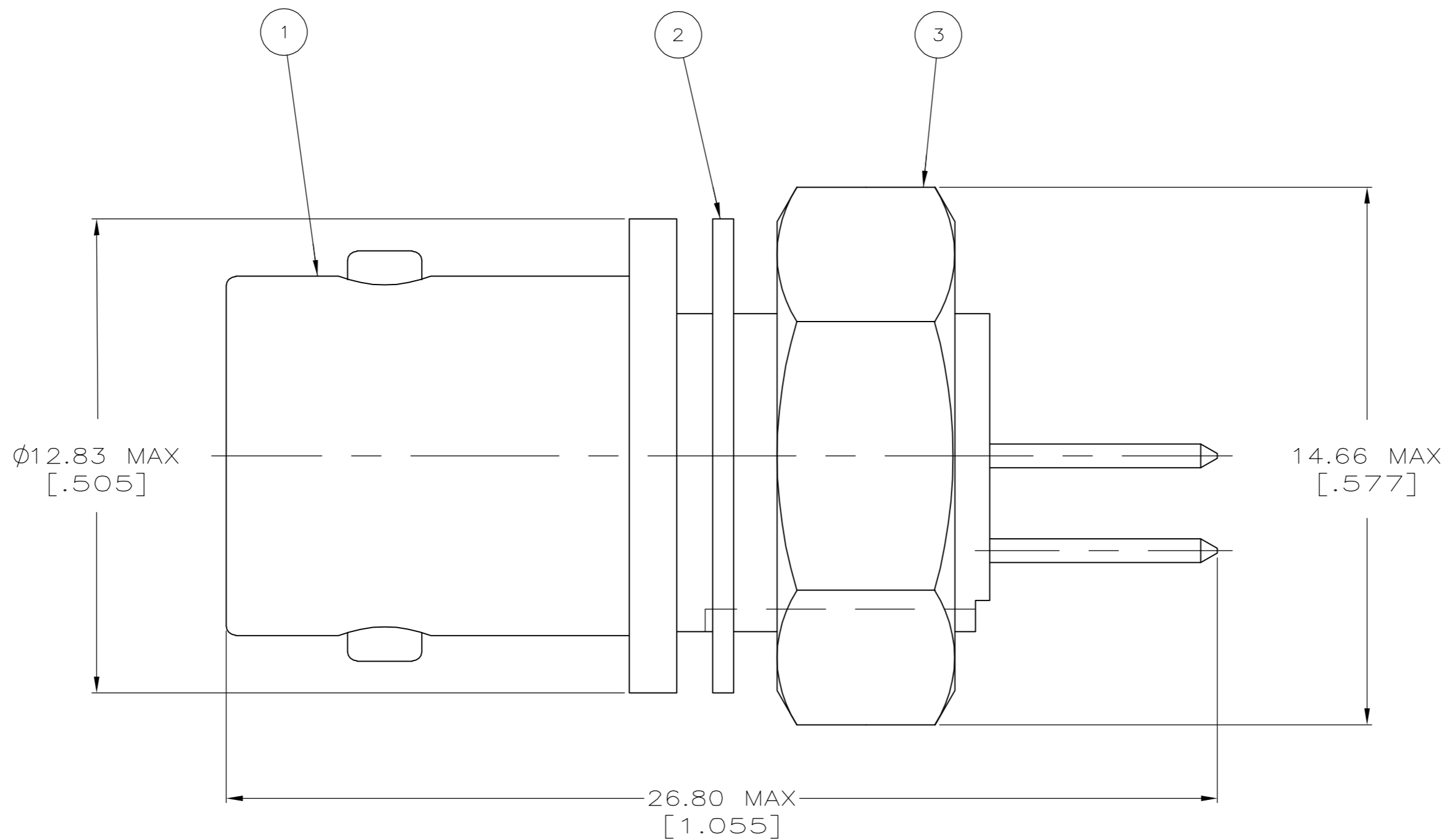


THIS DRAWING IS UNPUBLISHED. RELEASED FOR PUBLICATION
 © COPYRIGHT BY TYCO ELECTRONICS CORPORATION. ALL RIGHTS RESERVED.

LOC	DIST	REVISIONS					
AJ	16	P	LTR	DESCRIPTION	DATE	DWN	APVD
		A		REV PER ECO 06-002539	07APR06	GB	JH



RECOMMENDED PANEL CUTOUT

9-414815-0	1-329492-1	414195-1	5414194-1
③ JAM NUT QTY=1	② LOCK WASHER QTY=1	① SOLDER RCPT, ASSEMBLY QTY=1	PART NUMBER
THIS DRAWING IS A CONTROLLED DOCUMENT.		DWN J. ALCORTA - 26APR2005 CHK J. HAVENER - 26APR2005 APVD J. LIPPERT - 26APR2005 PRODUCT SPEC APPLICATION SPEC NAME TOLERANCES UNLESS OTHERWISE SPECIFIED: 0 PLC ± - 1 PLC ± - 2 PLC ± - 3 PLC ± - 4 PLC ± - ANGLES ± - FINISH	
DIMENSIONS: mm [INCHES]		Tyco Electronics Corporation Harrisburg, PA 17105-3608 SOLDER RECEPTACLE, ISOLATED BNC	
MATERIAL		SIZE A2 CAGE CODE 00779 DRAWING NO C=5414194 RESTRICTED TO	
WEIGHT		SCALE 8:1	
CUSTOMER DRAWING		SHEET 1 of 1	
		REV A	

单击下面可查看定价，库存，交付和生命周期等信息

[>>TE Connectivity\(泰科\)](#)