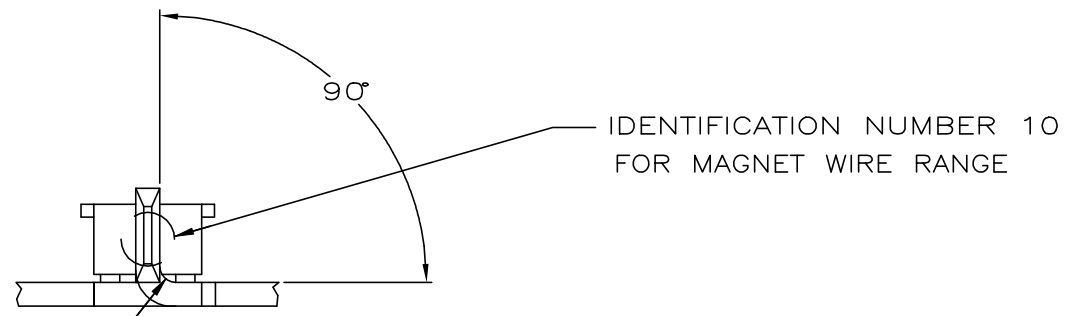
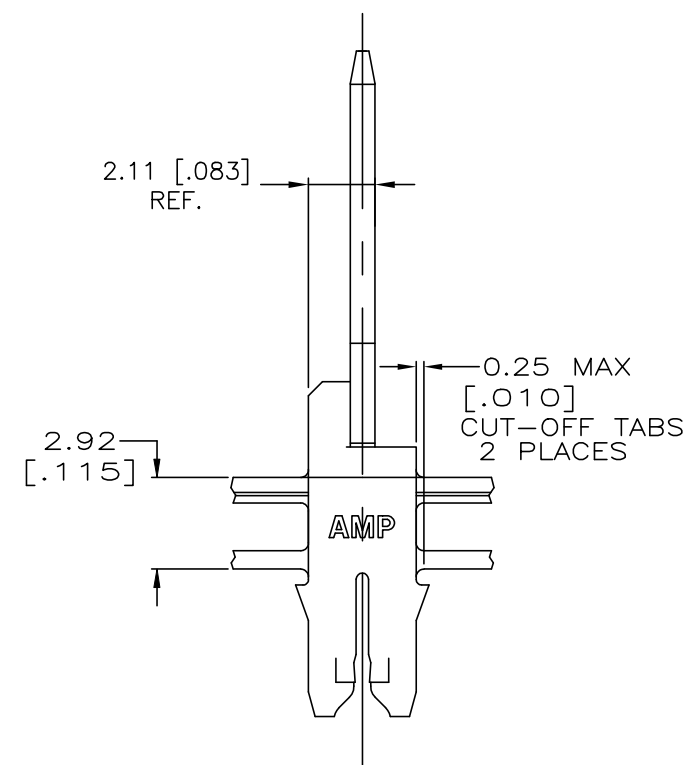
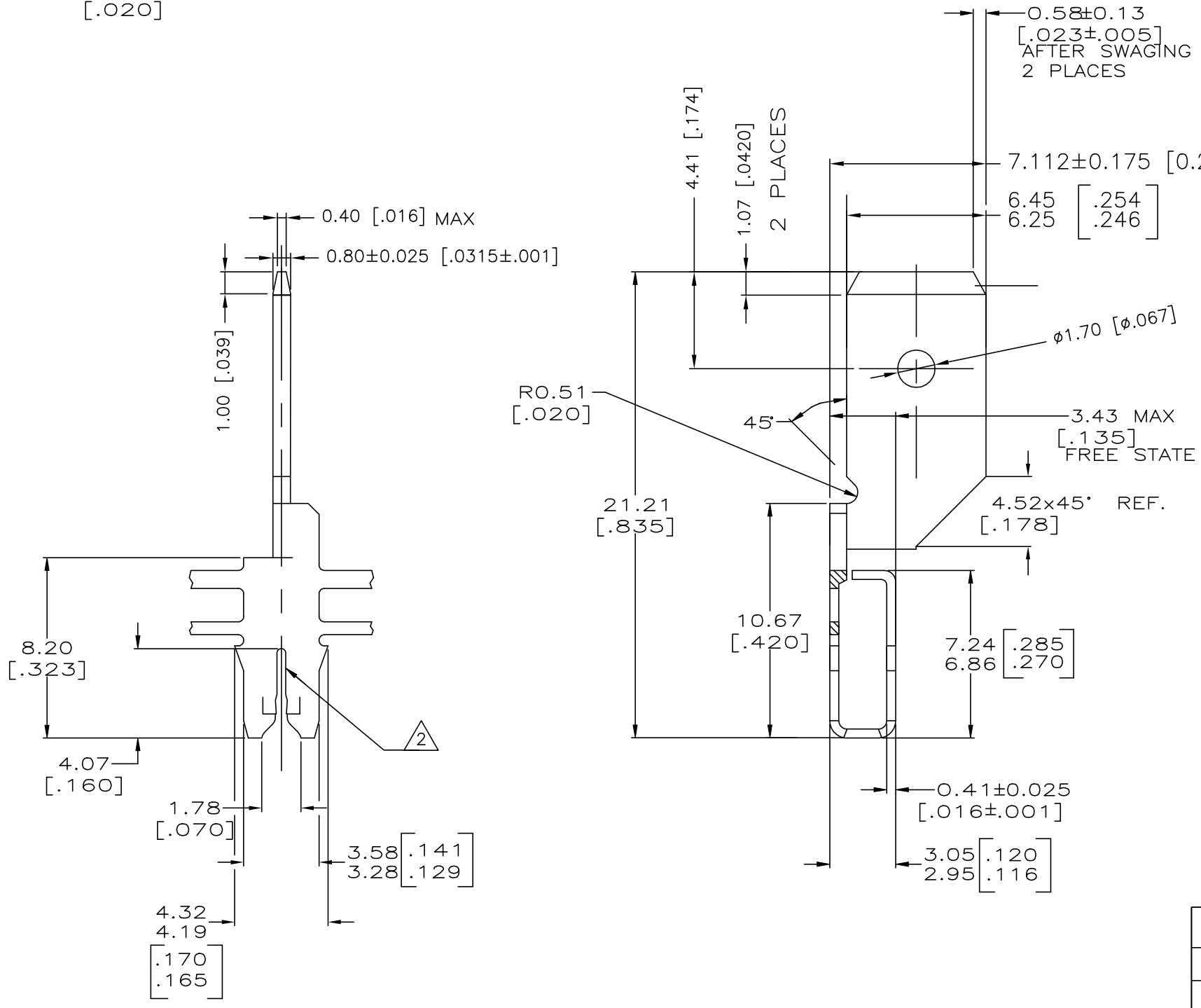


REVISIONS				
P	LTR	DESCRIPTION	DATE	APVD
B		REVISED PER ECR-19-004786	09APR2019	SE



- 1 CONTINUOUS STRIP ON REELS WITH TERMINALS LOCATED ON 8.38 ± 0.076 [$.330 \pm .003$] CENTERS
- 2 SLOT ACCEPTS 0.36-0.57 [#27-#23 AWG] SINGLE OR DOUBLE COPPER MAGNET WIRE ONLY
 SLOT ACCEPTS 0.51-0.64 [#24-#22 AWG] SINGLE OR DOUBLE ALUMINUM MAGNET WIRE ONLY
- 3 REFER TO DWG 87-1039-3 FOR ADDITIONAL CAVITY INFORMATION (MODIFIED DEPTH)
- 4 0.0010 [.000040] MIN TIN PLATE

R0.51 MAX
 [.020]



THIS DRAWING IS A CONTROLLED DOCUMENT.		DWN R.GRZYBOWSKI 24JUN97	PAPER 2232555-1	
		CHK M.S.FEHER 24JUN97	SPLICE PART NUMBER	
		APVD N.E.NEFF 24JUN97	TE Connectivity	
DIMENSIONS: mm		PRODUCT SPEC 108-2012	TAB, 6.30[.250] CONNECTING, MAG-MATE	
TOLERANCES UNLESS OTHERWISE SPECIFIED:		APPLICATION SPEC 114-2046	RESTRICTED TO	
0 PLC ± -		SIZE 114-2046	-	
1 PLC ± -		WEIGHT 0.000000	-	
2 PLC ± 0.25[.010]		SCALE 6:1	-	
3 PLC ± -		SHEET 1 of 1	-	
4 PLC ± -		REV B	-	
ANGLES ± 5°			-	
MATERIAL PRE-MILLED BRASS	FINISH SEE TABLE	CUSTOMER DRAWING	-	

单击下面可查看定价，库存，交付和生命周期等信息

[>>TE Connectivity\(泰科\)](#)