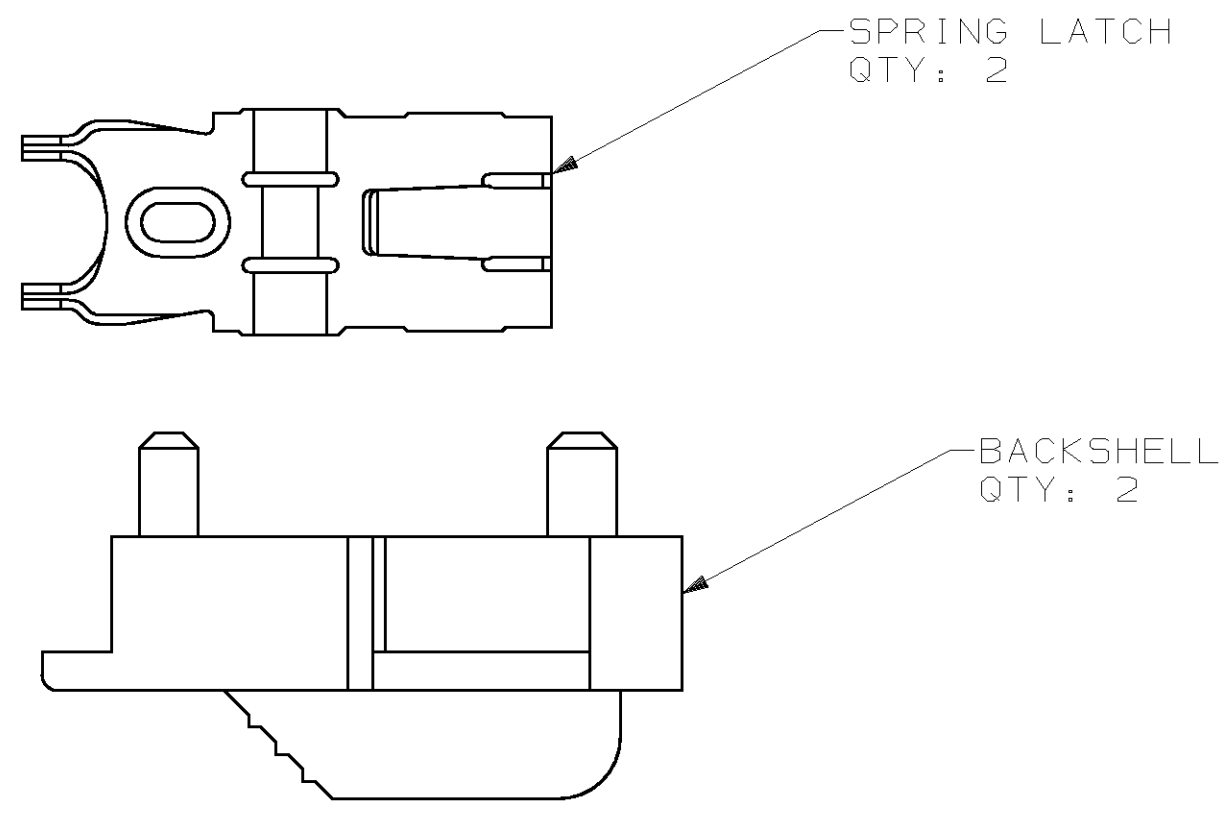
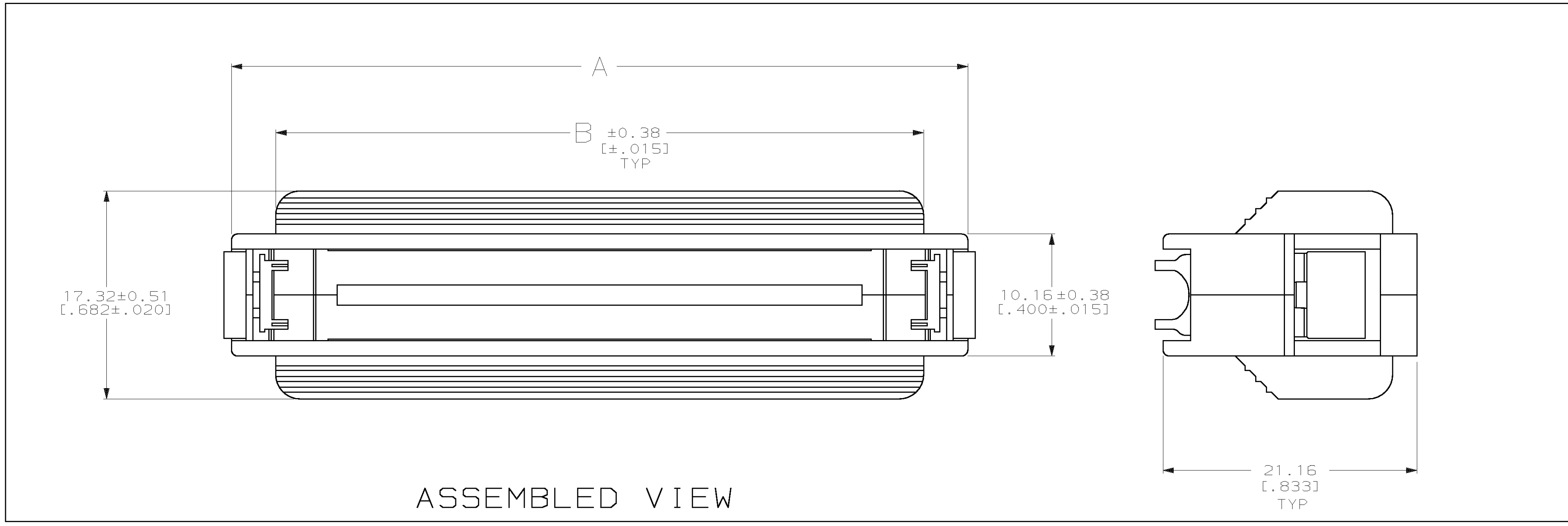


THIS DRAWING IS UNPUBLISHED. RELEASED FOR PUBLICATION, 19 .
 © COPYRIGHT 19 BY AMP INCORPORATED. ALL INTERNATIONAL RIGHTS RESERVED.

LOC	DIST	P	F	ZONE	LTR	DESCRIPTION	DATE	APPD
GP	00				B	REVISED PER EC 051C-0354-01	07MAY02	JG

1 BACKSHELLS - ABS, BLACK, UL 94V-0 RATED.
 SPRING LATCHES - STAINLESS STEEL.



	53.98 [2.125]	61.34 [2.415]	68	787032-7
OBSOLETE	42.54 [1.675]	49.91 [1.965]	50	787032-5
	B	A	NO OF POSN	PART NUMBER

DO NOT SCALE PRINT. UNLESS SPECIFIED DIMENSIONS IN mm [INCHES] TOLERANCES ON : 2 PLC DEC ±0.13 [.005] 3 PLC DEC ± - ANGLES ± -	DR 09/21/93 CHAD BAKER CHK 09/27/93 R. STONE APPD 09/28/93 L. BREKOSKY APPD 09/28/93 J. ASSINI	AMP AMP Incorporated Harrisburg, PA 17105-3608	
MATERIAL	PRODUCT SPEC 108-1359	NAME BACKSHELL KIT, UNASSEMBLED, WITH SPRING LATCHES, PLUG, .025CL, AMPLIMITE™ 50 SERIES	
FINISH	APPLICATION SPEC 114-40049	SIZE C	CAGE CODE 00779
	WEIGHT -	DRAWING NO C=787032	SCALE 4:1
		SHEET 1 OF 1	

THIS DRAWING IS A CONTROLLED DOCUMENT FOR AMP INCORPORATED. IT IS SUBJECT TO CHANGE AND THE CONTROLLING ENGINEERING ORGANIZATION SHOULD BE CONTACTED FOR THE LATEST REVISION.

单击下面可查看定价，库存，交付和生命周期等信息

[>>TE Connectivity\(泰科\)](#)