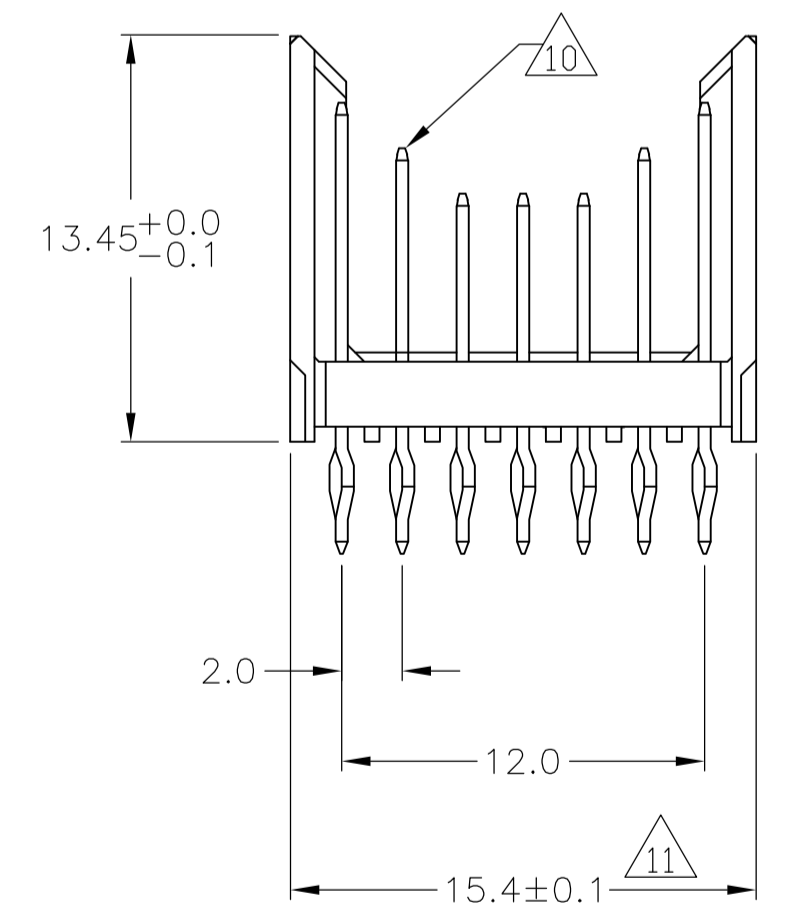
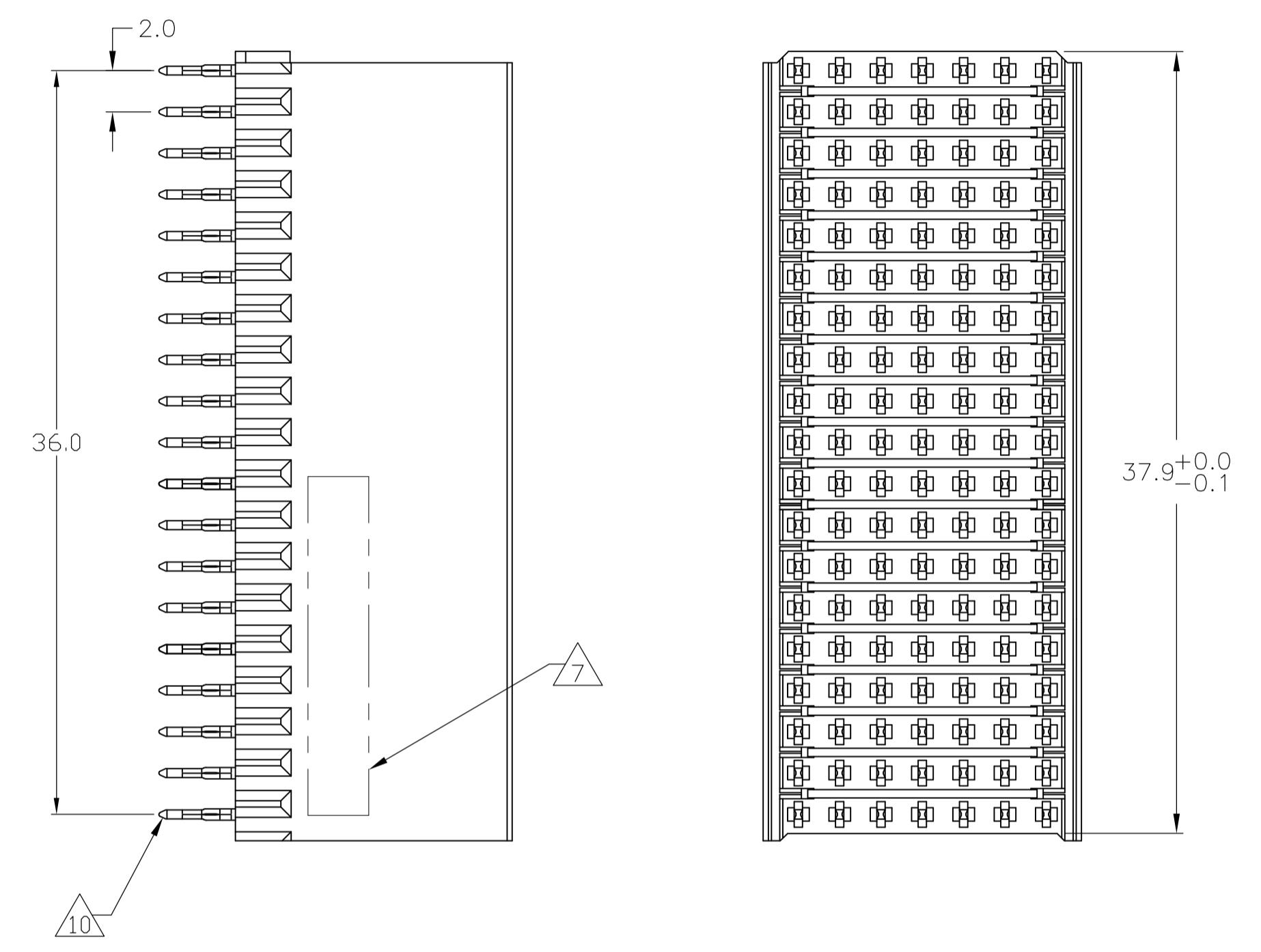
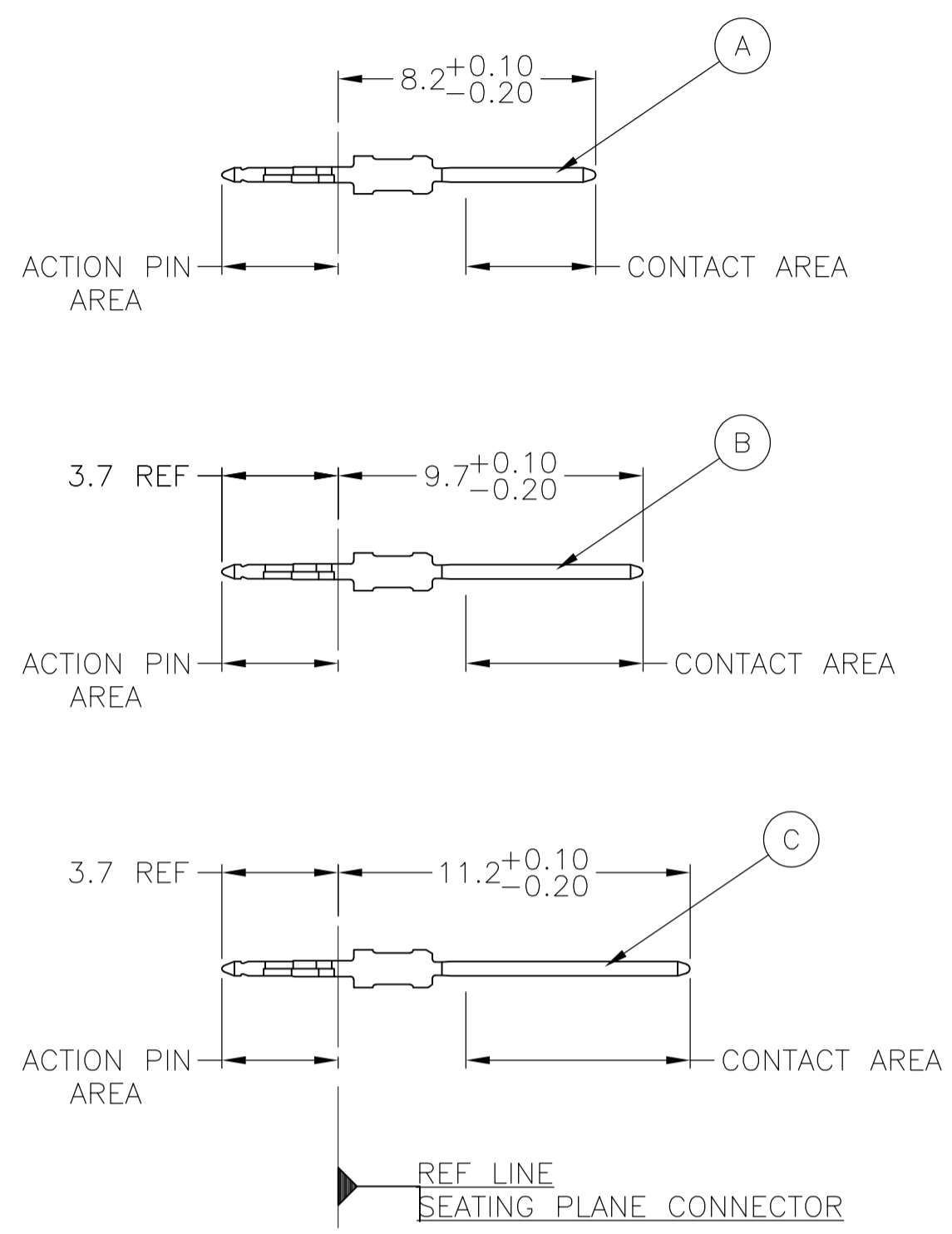


LOC		DIST		REVISIONS			
AD	00	REV	PER	EC	DATE	BY	APPROV
		0	REV	PER	EC	0512-0309-04	24MAY05 BC GS
		A	ECR	-10-019054		15SEP10	DP MQW

### CONNECTOR ASSEMBLY EXAMPLARY LOADED <sup>9</sup>



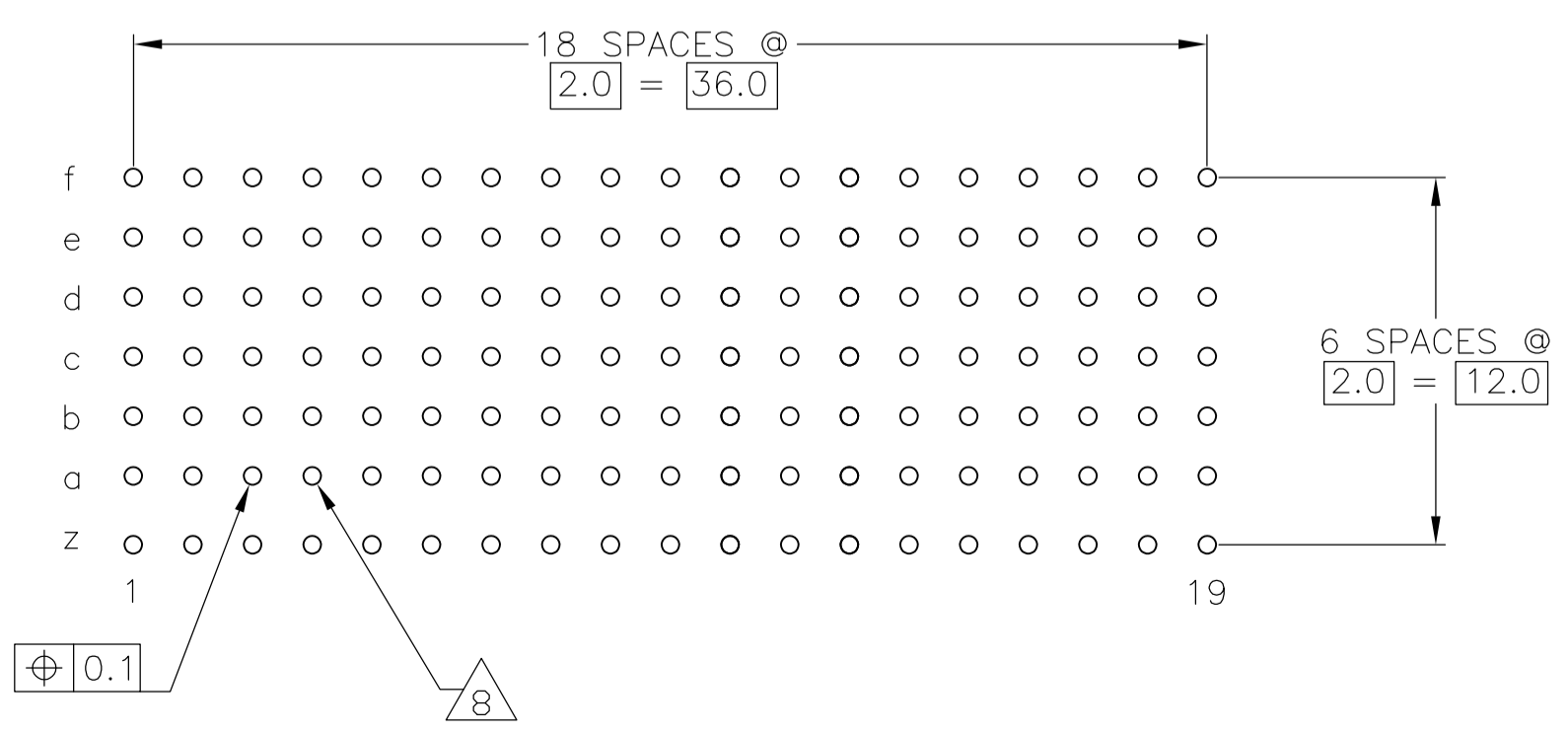
### CONTACT DIMENSIONS SCALE 5:1



### CONTACT LAYOUT

	z	a	b	c	d	e	f
1	C	B	A	A	A	B	C
2	C	B	A	A	A	B	C
3	C	B	A	A	A	B	C
4	C	B	A	A	A	B	C
5	C	B	A	A	A	B	C
6	C	B	A	A	A	B	C
7	C	B	A	A	A	B	C
8	C	B	A	A	A	B	C
9	C	B	A	A	A	B	C
10	C	B	A	A	A	B	C
11	C	B	A	A	A	B	C
12	C	B	A	A	A	B	C
13	C	B	A	A	A	B	C
14	C	B	A	A	A	B	C
15	C	B	A	A	A	B	C
16	C	B	A	A	A	B	C
17	C	B	A	A	A	B	C
18	C	B	A	A	A	B	C
19	C	B	A	A	A	B	C

### RECOMMENDED PCB-HOLE LAYOUT COMPONENT SIDE SHOWN



### PLATED THRU HOLES PARAMETERS REFERENCE APPLICATION SPECIFICATION

2	6	12	1-6645155-9
2	5	12	6645155-9
2	4		6645155-4
2	3		6645155-1
FINISH			PART NUMBER

THIS DRAWING IS A CONTROLLED DOCUMENT.

DIMENSIONS: mm	TOLERANCES UNLESS OTHERWISE SPECIFIED:	0-PLC ±	1-PLC ±0.2	2-PLC ±	3-PLC ±	4-PLC ±	ANGLES
SEE TABLE		MATERIAL <sup>1</sup>					

DIN B CARBO	24MAY05	Tyco Electronics Corporation Harrisburg, Pa 17105-3608
CHK G SKIPPER	24MAY05	
APVD G SKIPPER	24MAY05	NAME
PRODUCT SPEC		MALE ASSEMBLY, Z-PACK 2mm HM, TYPE B
108-19082		SIZE
APPLICATION SPEC		CAGE CODE
114-19029		DRAWING NO
WEIGHT		RESTRICTED TO
A1		00779
CUSTOMER DRAWING		SCALE 4:1
		SHEET 1 OF 2
		REV A

LOC		DIST		REVISIONS			
IF	LTR	DESCRIPTION	DATE	DRN	APVD		
AD	00	SEE SHEET 1	-	-	-		

- 1 MATERIAL:  
CONTACT: PHOSPHOR BRONZE.  
HOUSING: GLASS-FILLED POLYESTER.
- 2 GENERAL PLATING SPECIFICATION: UNDERPLATING  
(ENTIRE CONTACT): 1.27µm MIN NICKEL AND ACTION  
PIN: 0.5µm MIN TIN.  
FOR PLATING OF MATING SURFACES SEE APPLICABLE  
SPECIFICATION REFERENCE FOR EACH DASH NUMBER.
- 3 CONFORMS TO ALL TESTING ACCORDING TO IEC 61076-4-101  
PERFORMANCE LEVEL 2.
- 4 CONFORMS TO ALL TESTING ACCORDING TO IEC 61076-4-101  
PERFORMANCE LEVEL 1.
- 5 CONNECTOR TESTED AND QUALIFIED AGAINST TELCORDIA GR-1217-CORE QUALITY LEVEL 3,  
CENTRAL OFFICE APPLICATIONS.
- 6 CONNECTOR TESTED AND QUALIFIED AGAINST TELCORDIA GR-1217-CORE QUALITY LEVEL 3,  
UNCONTROLLED ENVIROMENT APPLICATIONS.
- 7 CONNECTOR MARKED WITH PART NUMBER AND DATE CODE.  
ADDITIONAL CHARACTERS OR MARKINGS, AS WELL AS THE LOCATION OF THE MARKINGS,  
MAY BE ADDED FOR TRACEABILITY BASED UPON MANUFACTURERS DISCRETION.
- 8 PLATED-THROUGH HOLES AT 2x2mm SQUARE GRID  
PATTERN DEFINED BY CONTACT LAYOUT.
- 9 FOR ACTUAL PIN LOADING SEE "CONTACT LAYOUT".
- 10 FOR ACTUAL PIN DIMENSIONS SEE "CONTACT DIMENSIONS".
- 11 TO BE MEASURED AT BOTTOM OF SHROUD.
- 12 CONNECTOR LUBRICATED WITH BELCORE APPROVED LUBRICANT,  
TECHNICAL REFERENCE: TR-NWT-001217 ISSUE 1, SEP 1992.

THIS DRAWING IS A CONTROLLED DOCUMENT.		DRN B CARBO	24MAY05	Tyco Electronics Corporation Harrisburg, Pa 17105-3608	
DIMENSIONS: mm		CHK G.SKIPPER	24MAY05	NAME MALE ASSEMBLY, Z-PACK 2mm HM, TYPE B	
TOLERANCES UNLESS OTHERWISE SPECIFIED: 0-PLC ± 1-PLC ±.01 2-PLC ± 3-PLC ± 4-PLC ± ANGLES ±		APVD G.SKIPPER	24MAY05	PRODUCT SPEC 108-19082	
MATERIAL SEE SHEET 1		APPLICATION SPEC 114-19029		SIZE A1	CAGE CODE 00779
FINISH SEE SHEET 1		WEIGHT -		DRAWING NO 6645155	
CUSTOMER DRAWING		SCALE 4:1		SHEET 2 OF 2	
				REV A	

单击下面可查看定价，库存，交付和生命周期等信息

[>>TE Connectivity\(泰科\)](#)