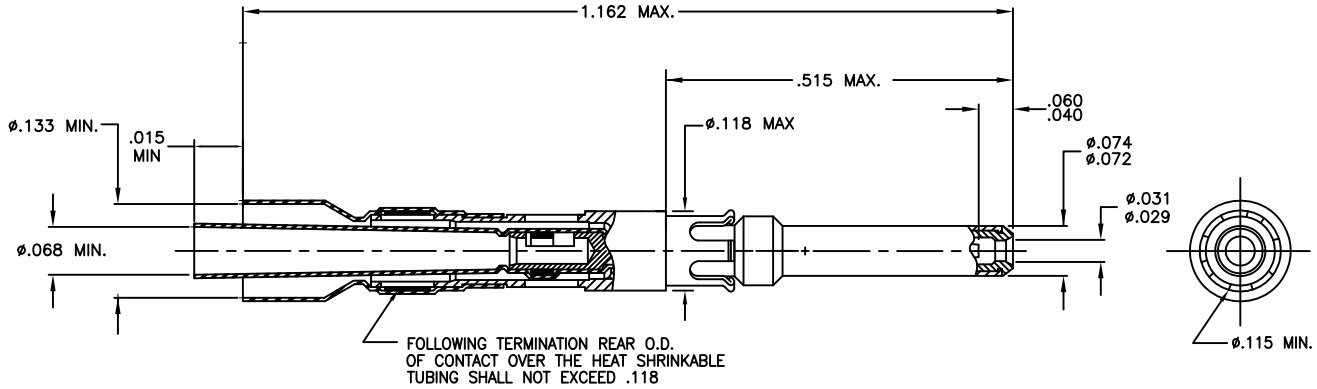


REVISION		
REV	DESCRIPTION	DATE
J	REVISED PER ECO-12-009465	05/02/12



CONTACT CHARACTERISTICS:

MATERIALS:

CONTACT MEMBERS: COPPER ALLOY PER ASTM B16 AND B196.
 CONTACT PLATING: GOLD PER MIL-C-45204, CLASS 1 NICKEL PER QQ-N-290 OVER COPPER
 SPRING MEMBER: BERYLLIUM COPPER PER ASTM B194
 SPRING PLATING: NICKEL PER QQ-N-290
 DIELECTRIC: FLUOROPOLYMER
 SOLDER: SN 63 PER ANSI/J-STD-006
 CABLE SUPPORT TUBING: POLYVINYLIDENE FLUORIDE

PERFORMANCE:

TEMPERATURE RATING: 125°C
 CURRENT RATING: 3 AMPS
 VOLTAGE RATING: DIELECTRIC WITHSTANDING VOLTAGE: 900 VOLTS RMS MAXIMUM
 CONTACT RESISTANCE: INNER, 10 MILLIOHMS MAX. OUTER, 8 MILLIOHMS MAX.
 INSULATION RESISTANCE: 5000 MEGOHMS MINIMUM
 ENGAGEMENT FORCE, INNER SOCKET: 6 OZ MAXIMUM
 SEPARATION FORCE, INNER SOCKET: 0.5 OZ MINIMUM
 WEIGHT: 0.58 GRAMS MAX.

NOTES:

1. THIS CONTACT IS DESIGNED FOR USE IN MIL-C-28748 SIZE 16 CAVITIES.
2. THIS CONTACT IS DESIGNED TO ACCOMMODATE A 22 THRU 26 AWG TWISTED PAIR.
OTHER APPLICATIONS SHALL BE SUBMITTED TO RAYCHEM FOR EVALUATION.
3. FOR TERMINATION PROCEDURE SEE ES-61199
4. MATING CONTACT (FOR SIMILAR CABLES) : D-602-0127 AND D-602-055
5. THIS CONTACT MEETS RAYCHEM SPECIFICATION D-6002

(C) 2012 Tyco Electronics Corporation. All Rights Reserved

Raychem Databus
CUSTOMER DRAWING

UNLESS OTHERWISE SPECIFIED DIMENSIONS ARE INCHES. METRIC DIMENSIONS ARE IN BRACKETS.	REDRAWN NIKHIL C	DATE 02MAY2012	TE Connectivity		
	MATERIAL				TITLE SHIELDED CONTACT, PIN TWISTED PAIR
DECIMAL TOLERANCES .XXX ± - [- mm] .XX ± - [- mm] .X ± - [- mm]	FINISH		SIZE A	CODE IDENT. NO. 06090	DWG. NO. D-602-0126
ANGLE TOLERANCE .X ± -	THIRD ANGLE PROJECTION		DO NOT SCALE THIS DRAWING		
CAD FILE D-602-0126_CD.dwg			SHEET 1 OF 1		

单击下面可查看定价，库存，交付和生命周期等信息

[>>TE Connectivity\(泰科\)](#)