

THIS DRAWING IS UNPUBLISHED.

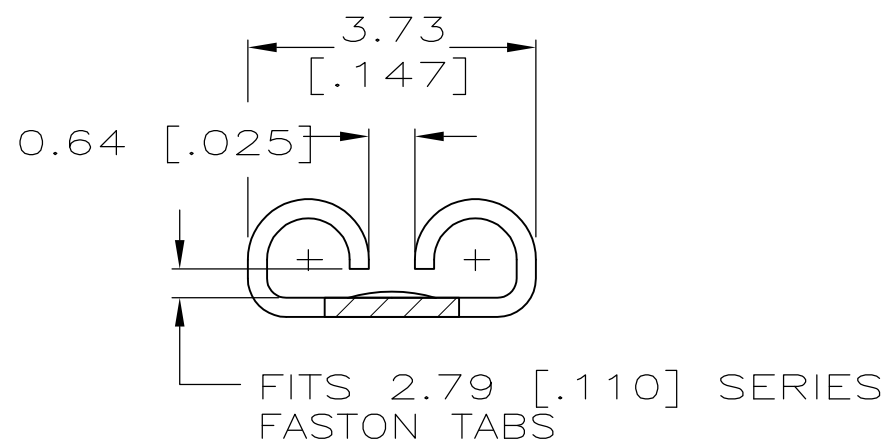
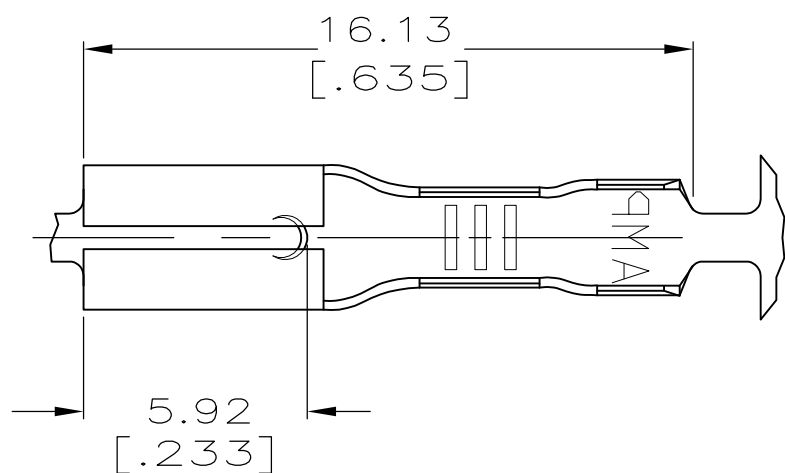
RELEASED FOR PUBLICATION

ALL RIGHTS RESERVED.

LOC AF DIST 50

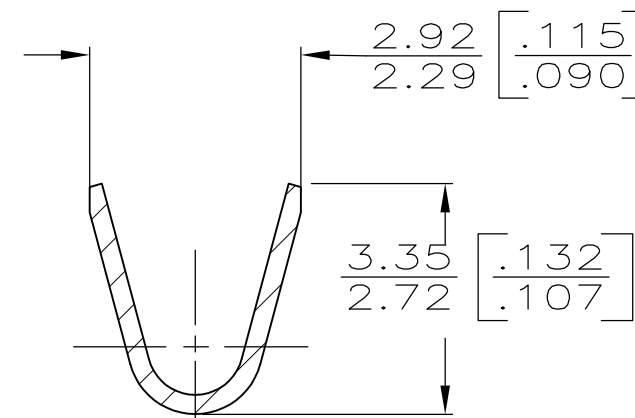
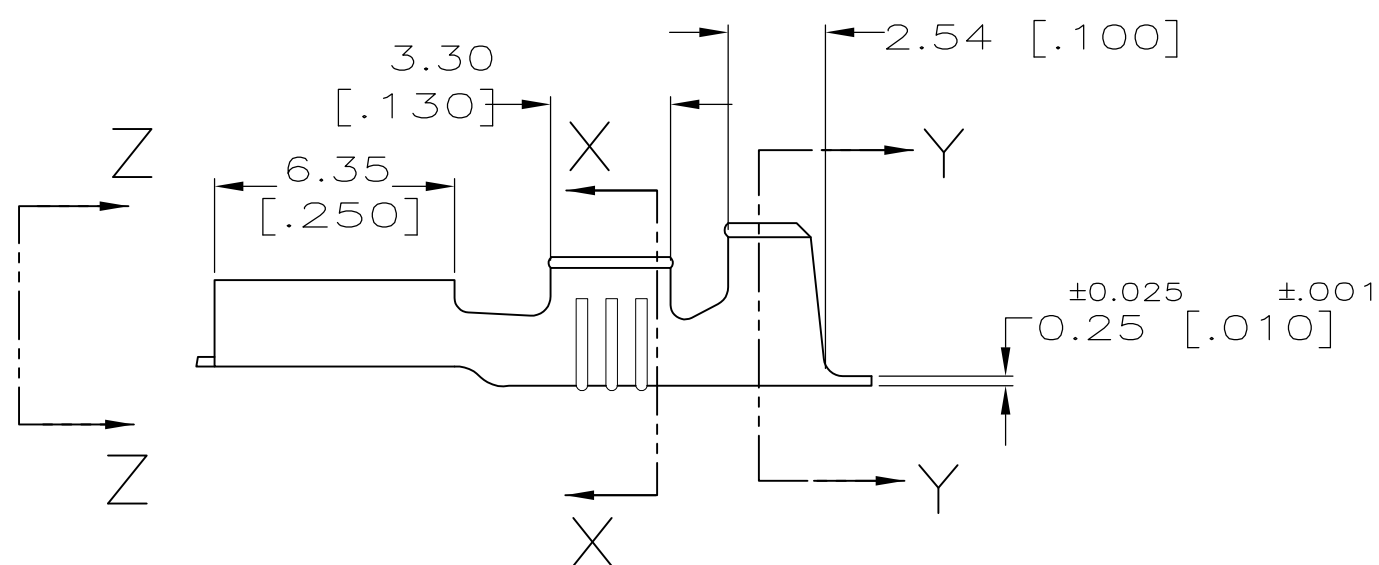
REVISIONS

P	LTR	DESCRIPTION	DATE	DWN	APVD
C		REVISED PER ECR-12-013459	27NOV2012	KH	PD

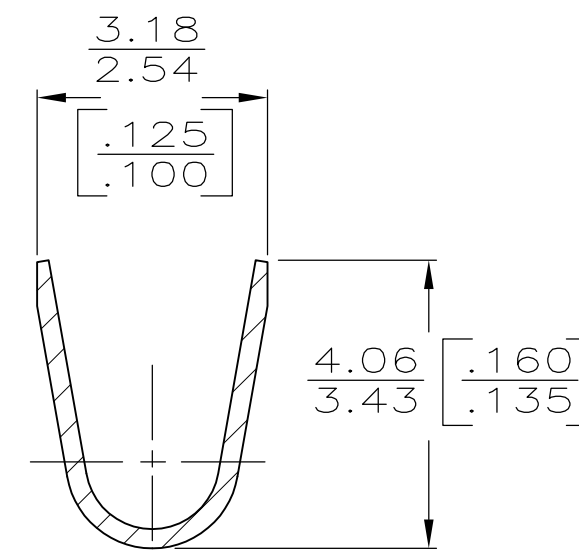


1 CONTINUOUS STRIP ON REELS

VIEW Z-Z SCALE 10:1



SECTION X-X SCALE 10:1



SECTION Y-Y SCALE 10:1

1.52-2.54 [.060-.100]	0.5-1.4mm ² [20-16]	0.25 [.010]	62968-1
INSUL RANGE	WIRE SIZE	MATING TAB THK ±0.025 ±[.001]	PART NO

THIS DRAWING IS A CONTROLLED DOCUMENT.		DWN JR RUTH 1/2/91	STE TE Connectivity	
DIMENSIONS: mm [INCHES]		CHK MS FEHER 1/2/91		
TOLERANCES UNLESS OTHERWISE SPECIFIED:		APVD C MEYERS 1/2/91	NAME	
0 PLC ± -		PRODUCT SPEC	RECEPTACLE, FASTON, 2.79 [.110] SERIES	
1 PLC ± -		APPLICATION SPEC	SIZE CAGE CODE DRAWING NO RESTRICTED TO	
2 PLC ± -		FINISH	A3 00779 C-62968	
3 PLC ± 0.38 [.015]		MATERIAL BRASS	CUSTOMER DRAWING	
4 PLC ± -		PRE-TIN	SCALE 5:1 SHEET 1 OF 1 REV C	
ANGLES ± -				

单击下面可查看定价，库存，交付和生命周期等信息

[>>TE Connectivity\(泰科\)](#)