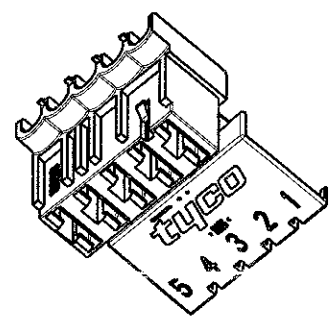
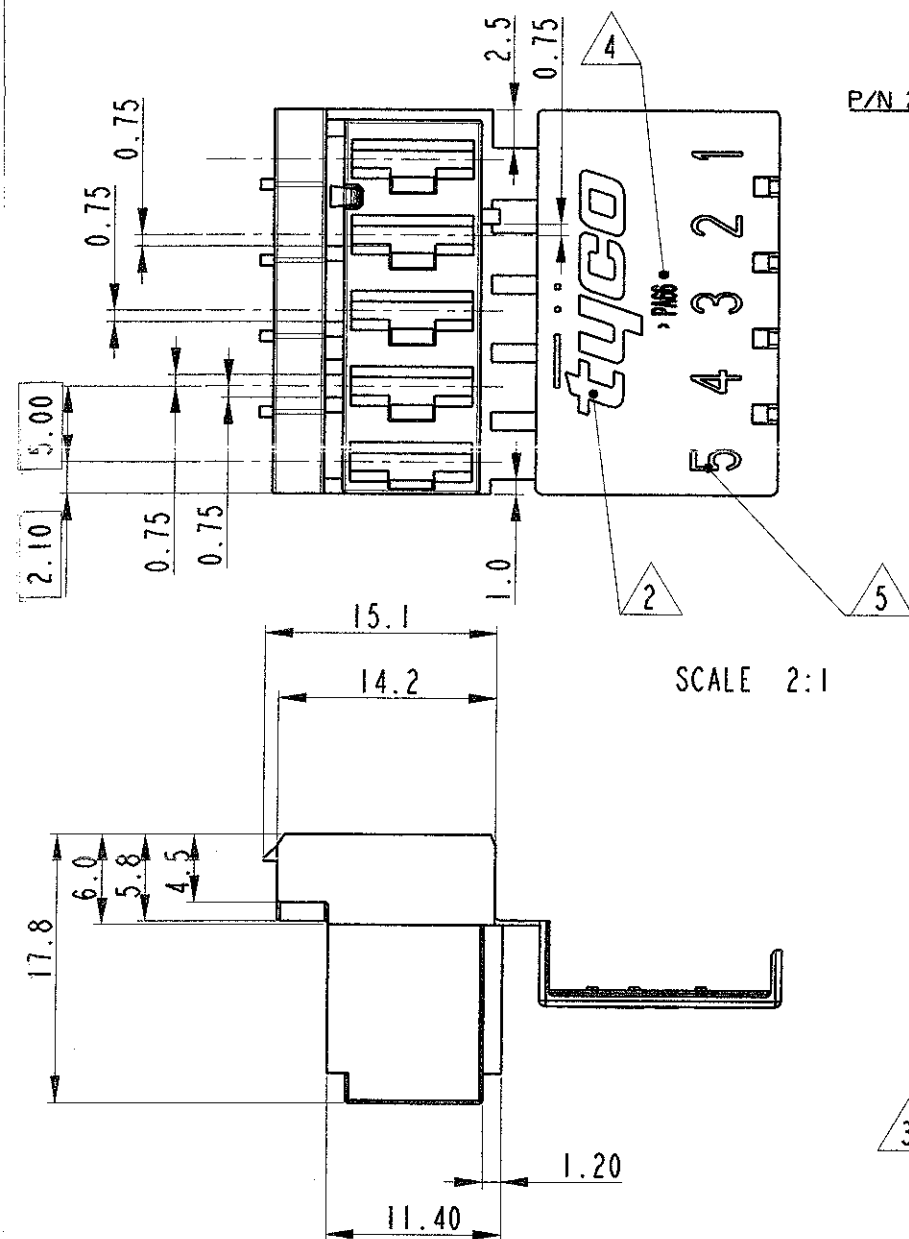
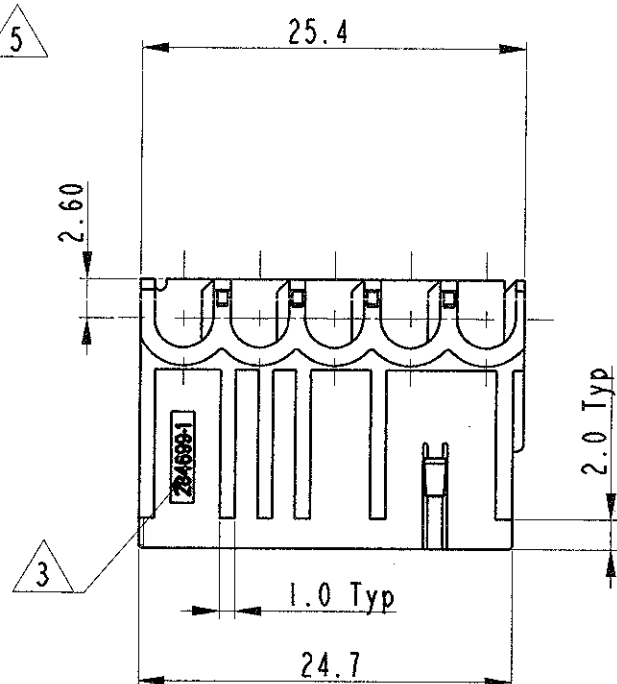


P	LTR	DESCRIPTION	DATE	DWN	APVD
0		FIRST ISSUE	06MAR2001	C.C.	D.M.
A		FIRST ISSUE NOT YET RELEASED FOR PRODUCTION FOR ET00-0114-01	03MAY2001	D.M.	G.T.
B		UPDATING TO PRODUCT DWG. FOR ET00-0225-01	14FEB2002	C.C.	G.T.
C		REVISED FOR ET00-0039-02	08MAR2002	C.C.	G.T.
D		RELEASE FOR PRODUCTION ET00-0167-03	23SEPT2003	A.Y.	

P/N 284699-1 AS SHOWN IN NATURAL WHITE COLOR



SCALE 1:1



DETAIL FOR POLARIZATION	DETAIL FOR POLARIZATION	DETAIL FOR POLARIZATION
PN 284699-2 AS SHOWN	PN 284699-3 AS SHOWN	PN 284699-4 AS SHOWN
Colour: GREEN RAL 6029	Colour: YELLOW RAL 1016	COLOUR: RED RAL 3000

NOTE:

- PROPRIETA' DELLA MATERIA PLASTICA: (PLASTICAL MATERIAL PROPERTIES:)  
GLOW WIRE INDEX IEC695-2-1 850 AT 1.6 mm
- CONNETTORE ADATTO PER TERMINALI TIPO FASTIN-ON .250 SERIES FLAG RECEPTACLE, LOW PROFILE DIS. 284697  
CONNECTOR FOR TYCO AMP CONTACT TYPE .250 SERIES FLAG FASTIN-ON REC. LOW PROFILE P/N 284697
- MARCHIO TYCO (MANUFACTURING LOCATION CODE)
- CODICE IDENTIFICAZIONE PRODOTTO (PART NUMBER)
- CODICE IDENTIFICAZIONE MATERIA PRIMA (MATERIAL ID. CODE)
- NUMERO DI VIE PER INSERZIONE CONTATTO POSIZIONATI COME INDICATO (WAY ID. NUMBER AS SHOWN)

NATURAL	NYLON - PA66
COLOUR (COLORE)	MATERIAL (MATERIALE)

<small>THIS DRAWING IS A CONTROLLED DOCUMENT FOR TYCO ELECTRONICS CORPORATION IT IS SUBJECT TO CHANGE AND THE CONTROLLING ENGINEERING ORGANIZATION SHOULD BE CONTACTED FOR THE LATEST REVISION.</small>		DWN C.CORDOLA 06MAR2001 CHK D.MOTTA 06MAR2001 APVD G.TURCO 06MAR2001		Tyco Electronics AMP Italia S.p.a. 10093 Collegno (TO)	
DIMENSIONS:		TOLERANCES UNLESS OTHERWISE SPECIFIED:		NAME 5 POS. LOW PROFILE HSG. RAST 5 FOR FLAG REC. CONTACTS	
		0 PLC ±0.5 1 PLC ±0.2 2 PLC ±0.1 3 PLC ±0.05 4 PLC ± ANGLES ±1		PRODUCT SPEC APPLICATION SPEC	
MATERIAL See table (vedere tabella)		FINISH		WEIGHT A3 00779 C-284699	
		SCALE 2:1		SHEET 1 OF 1 REV D	

单击下面可查看定价，库存，交付和生命周期等信息

[>>TE Connectivity\(泰科\)](#)