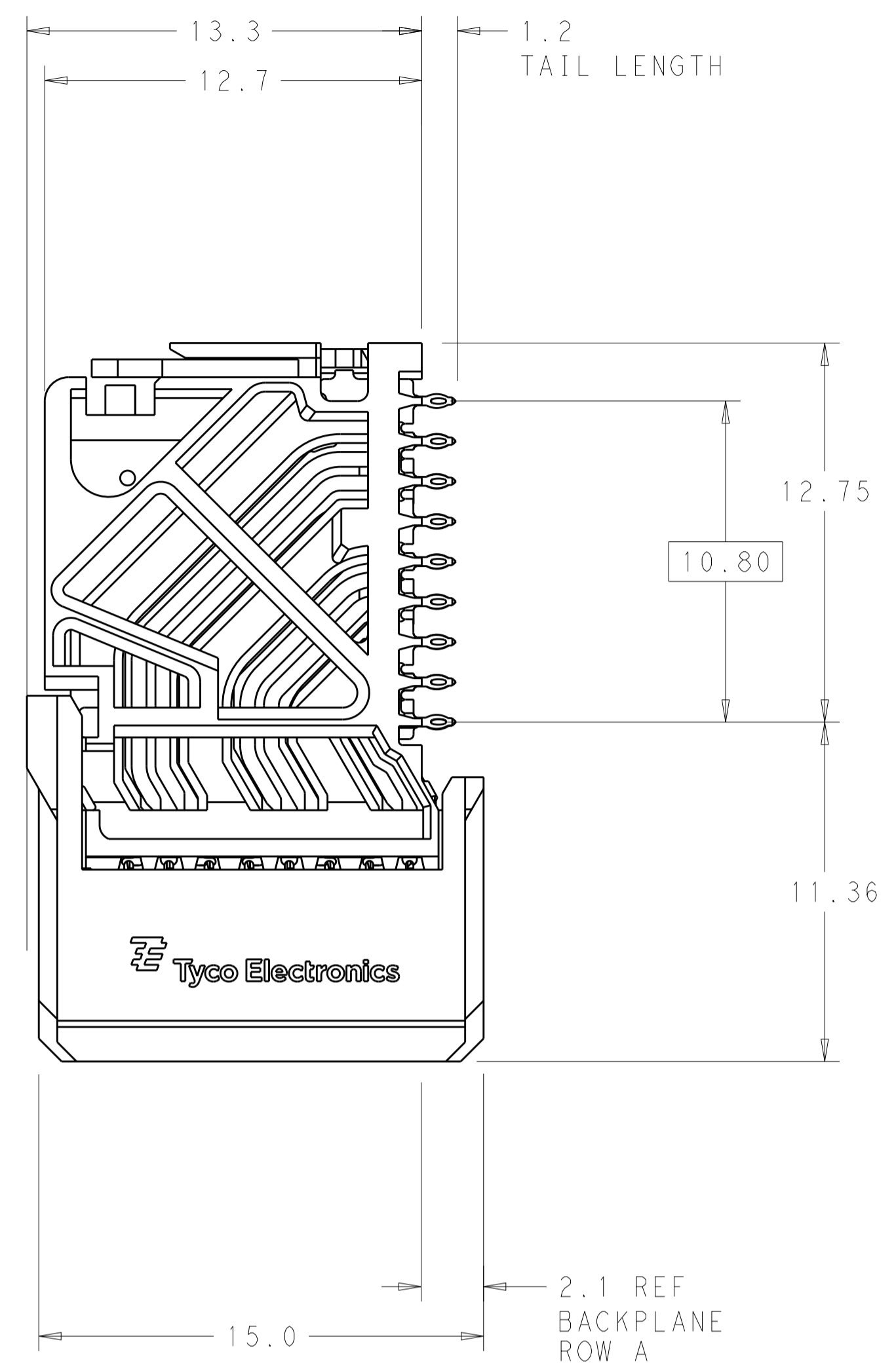
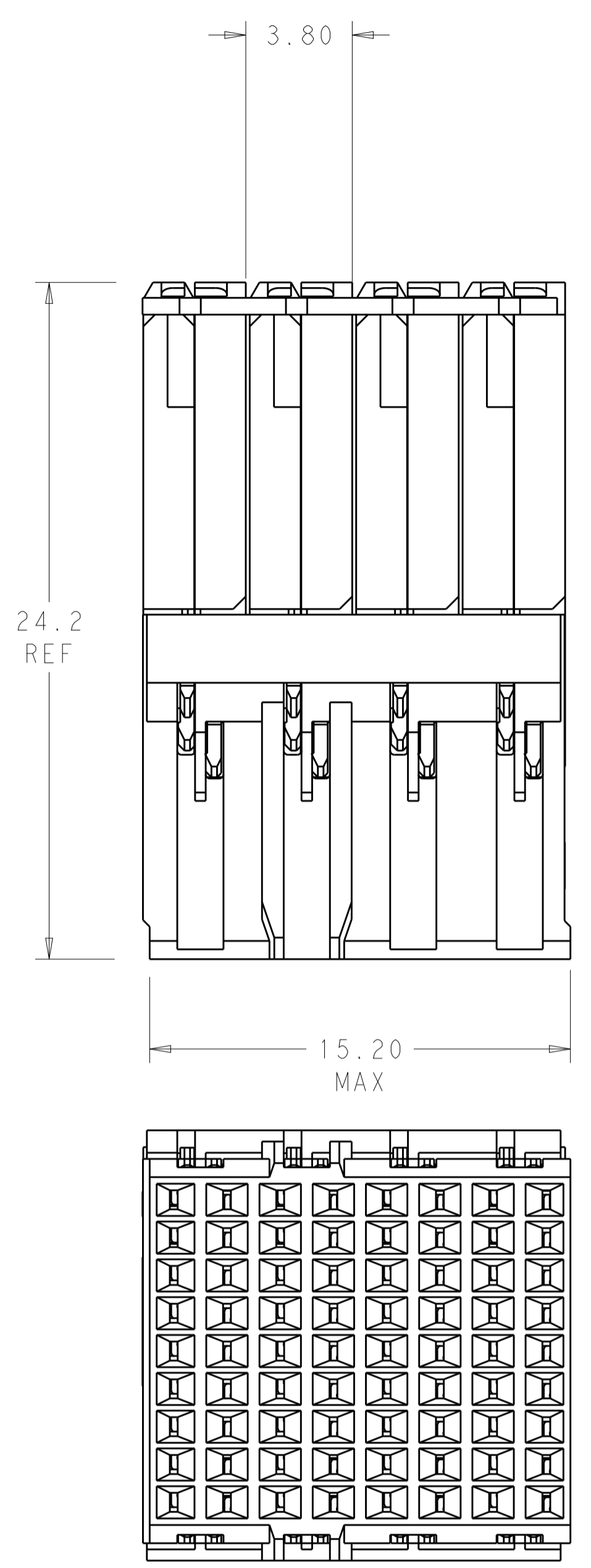
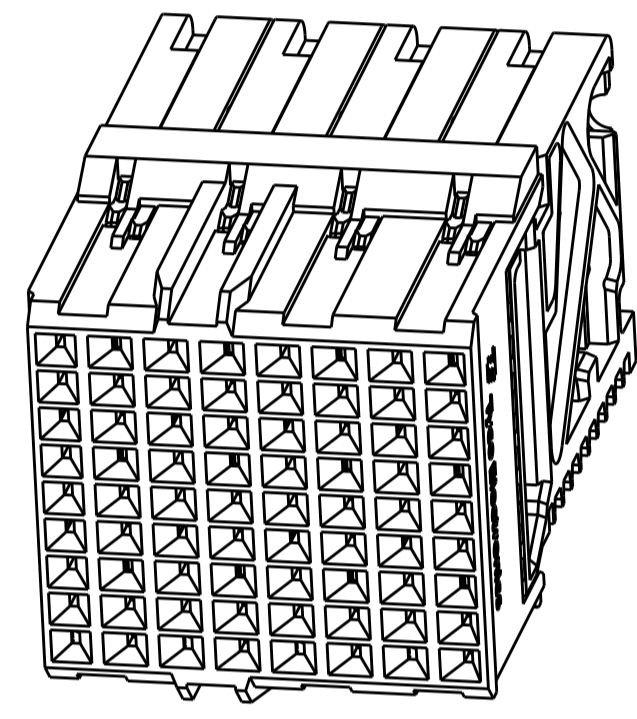


LOC		DIST		REVISIONS			
AD	00	P	LTN	DESCRIPTION	DATE	DWN	APVD
		F1		REVISED PER ECO-14-018035	11MAR2015	AP	DD



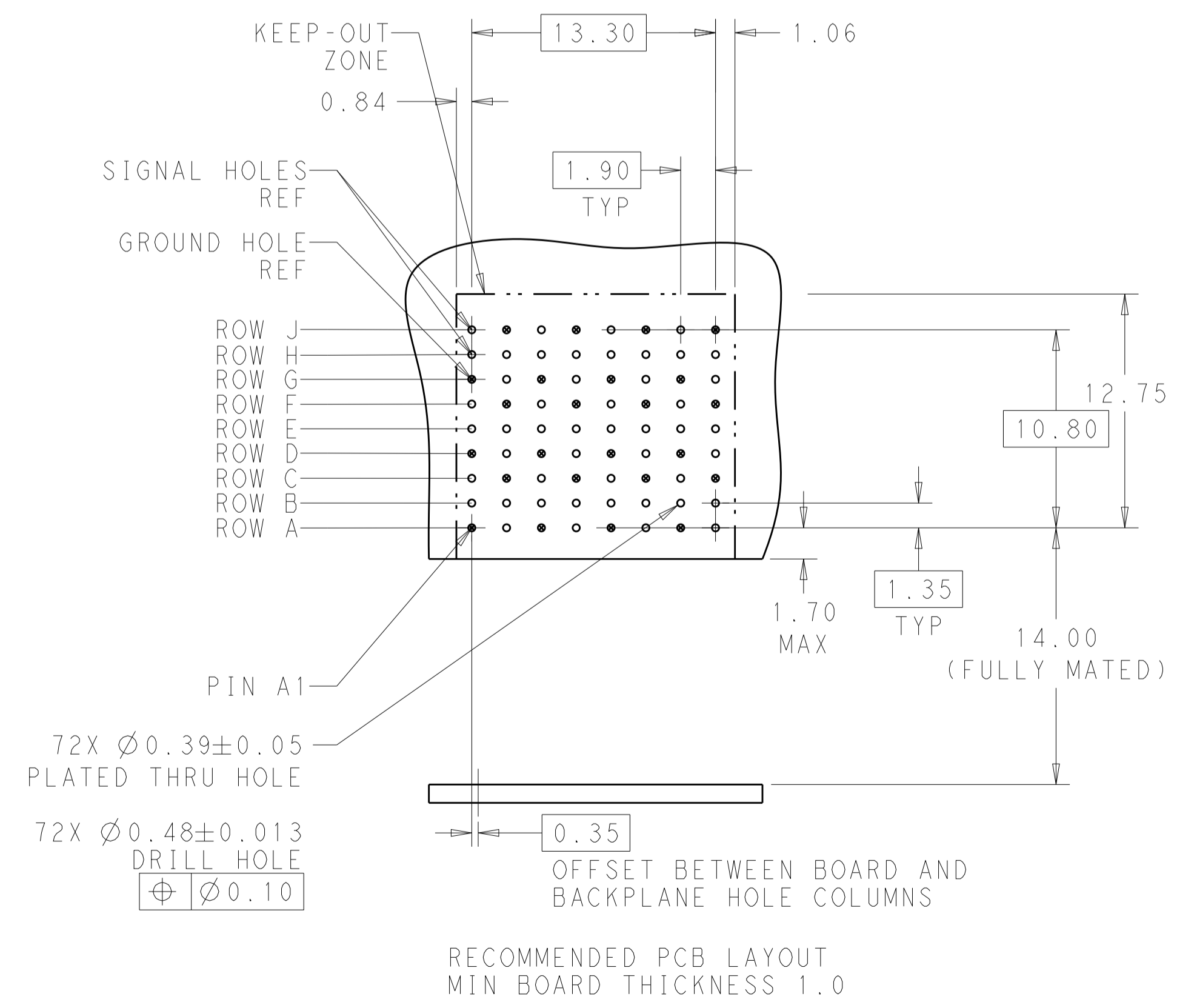
⚠ MATERIAL:  
 HOUSING: LCP, GLASS FILLED, UL94V-0.  
 TERMINALS: HIGH PERFORMANCE COPPER ALLOY.

⚠ FINISH:  
 30µ" SELECTIVE GOLD IN CONTACT AREA. SELECTIVE TIN  
 ON PCB TAILS, NICKEL OVERALL.



SCALE 4:1

REFER TO WWW.TE.COM  
 FOR PRODUCT AVAILABILITY



NONE	⚠	2057693-1
KEY POSITION	FINISH	PART NUMBER

THIS DRAWING IS A CONTROLLED DOCUMENT.		DWN: D. HUMBERT 04FEB2011		NAME: IMPACT, 3 PAIR, DAUGHTERCARD 8 COLUMN, UNGUIDED, SIGNAL MODULE, 0.39 EYELET
DIMENSIONS:		CHK: D. DIXON 04FEB2011		
TOLERANCES UNLESS OTHERWISE SPECIFIED:		APVD: D. DIXON 04FEB2011		
mm		PRODUCT SPEC		
0 PLC ± 1 PLC ±0.2 2 PLC ±0.13 3 PLC ± 4 PLC ± ANGLES ±		APPLICATION SPEC	SIZE: A1	CAGE CODE: 2057693
MATERIAL: ⚠		FINISH: SEE TABLE	WEIGHT: -	RESTRICTED TO: -
		CUSTOMER DRAWING	SCALE: 6:1	SHEET: 1 OF 1

单击下面可查看定价，库存，交付和生命周期等信息

[>>TE Connectivity\(泰科\)](#)