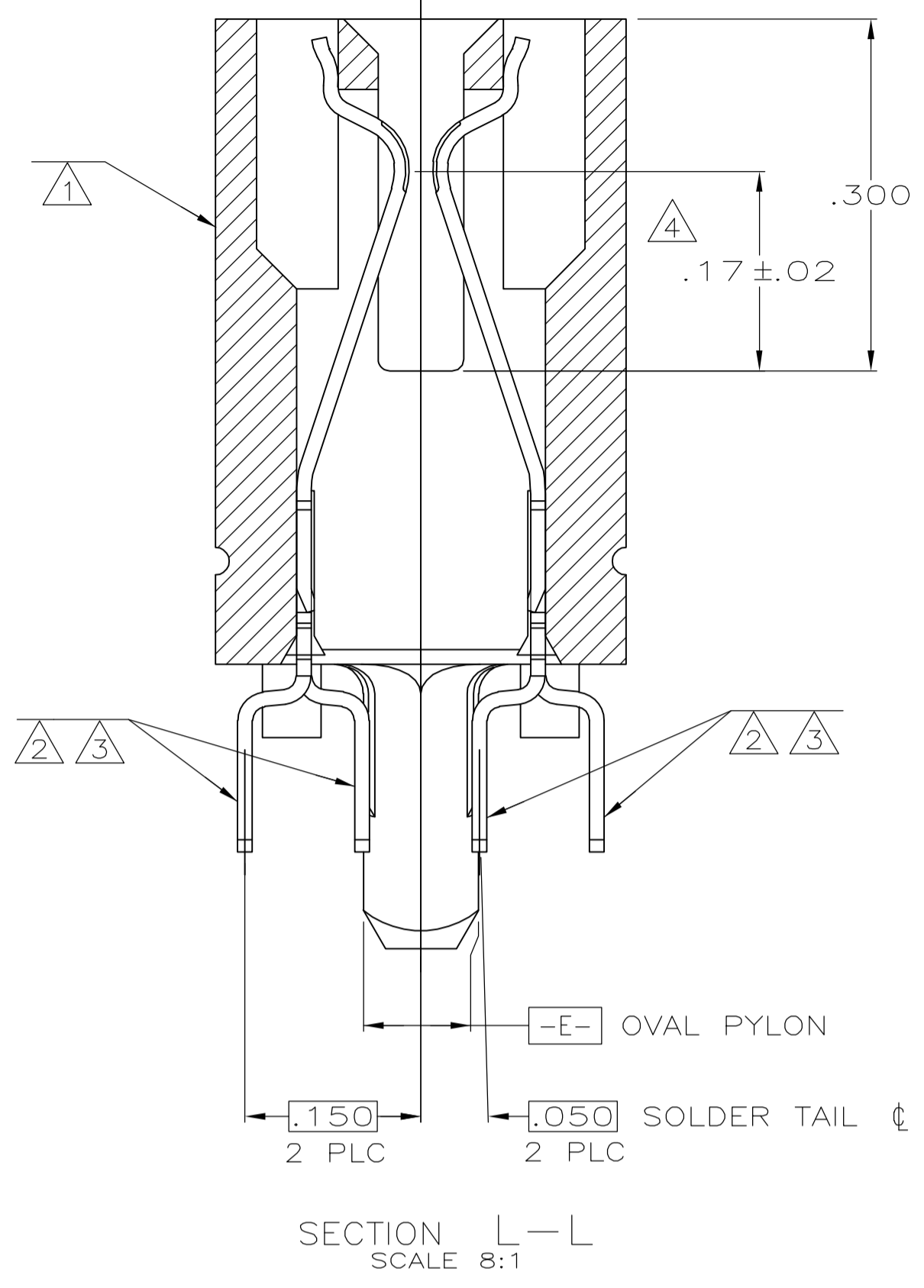
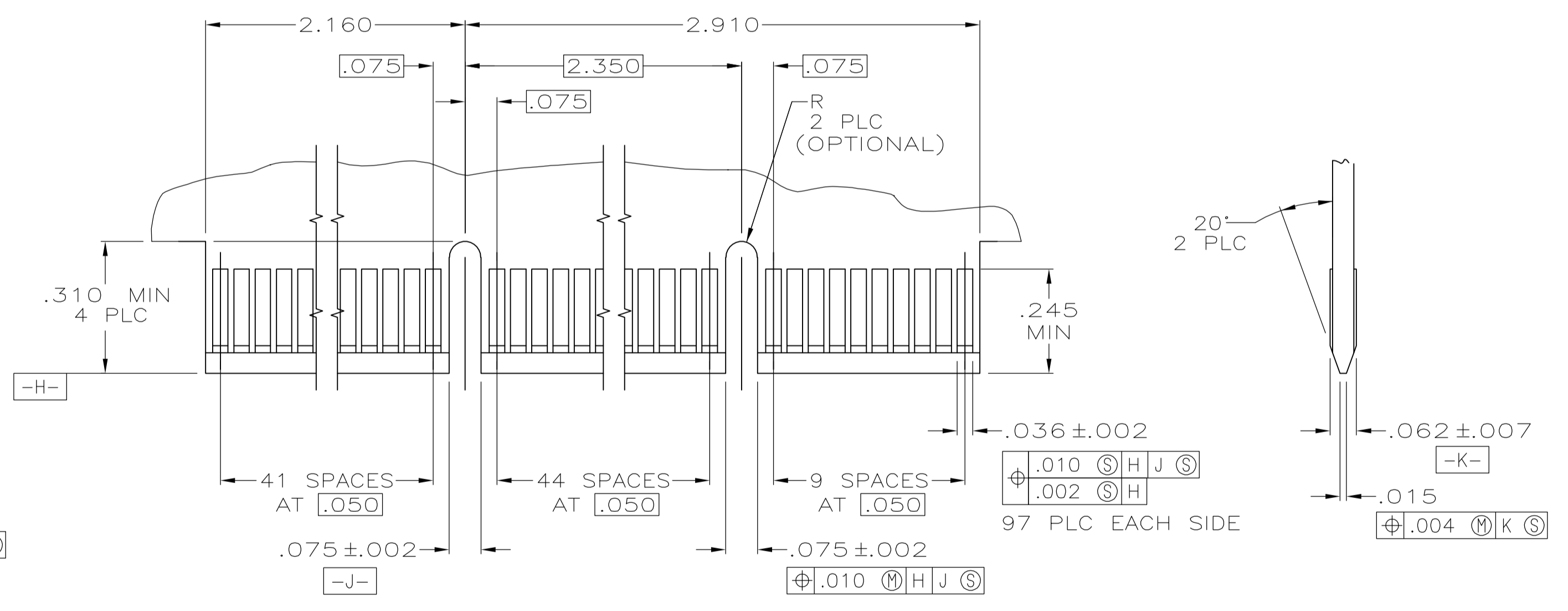


RECOMMENDED CONNECTOR MOUNTING HOLE PATTERN (CONNECTOR SIDE SHOWN)



- 1 HOUSING: POLYPHENYLENE SULFIDE.
- 2 CONTACT: PHOSPHOR BRONZE.
- 3 CONTACT FINISH: .000100 MIN NICKEL ALL OVER. .000043 MIN DURAGOLD OVER NICKEL IN CONTACT AREA. .000100 MIN MATTE TIN OVER NICKEL ON SOLDER TAILS.
- 4 DISTANCE FROM CONTACT POINT TO BOTTOM OF CARD SLOT.
- 5 AMP PART NUMBER, DATE CODE AND CSA LOGO MARKED IN APPROXIMATE AREA SHOWN.
- 6 THIS DRAWING IS RESTRICTED TO IBM CORPORATION AND IBM AUTHORIZED SUPPLIERS.



RECOMMENDED MATING BOARD EDGE CONFIGURATION

5650720-1  
PART NUMBER

THIS DRAWING IS A CONTROLLED DOCUMENT.		DIN AL FRANTUM 05 AUG 05		Tyco Electronics Corporation	
DIMENSIONS: INCHES		TOLERANCES UNLESS OTHERWISE SPECIFIED:		Tyco Electronics Corporation Harrisburg, Pa 17105-3608	
0 PLC	± .005	1 PLC	± .01	NAME: CONNECTOR ASSEMBLY, 97 DUAL POSITION, .050 SERIES, STANDARD EDGE	
1 PLC	± .01	2 PLC	± .01	PRODUCT SPEC: 108-14034	
2 PLC	± .01	3 PLC	± .005	APPLICATION SPEC: 114-26012	
3 PLC	± .005	4 PLC	± .005	SIZE: A1	
4 PLC	± .005	ANGLES	± .5°	CAGE CODE: 00779	
MATERIAL		FINISH		DRAWING NO: 5650720	
1/2		3		WEIGHT: -	
CUSTOMER DRAWING		SCALE: 4:1		SHEET 1 OF 1	
				REV: 0	

单击下面可查看定价，库存，交付和生命周期等信息

[>>TE Connectivity\(泰科\)](#)