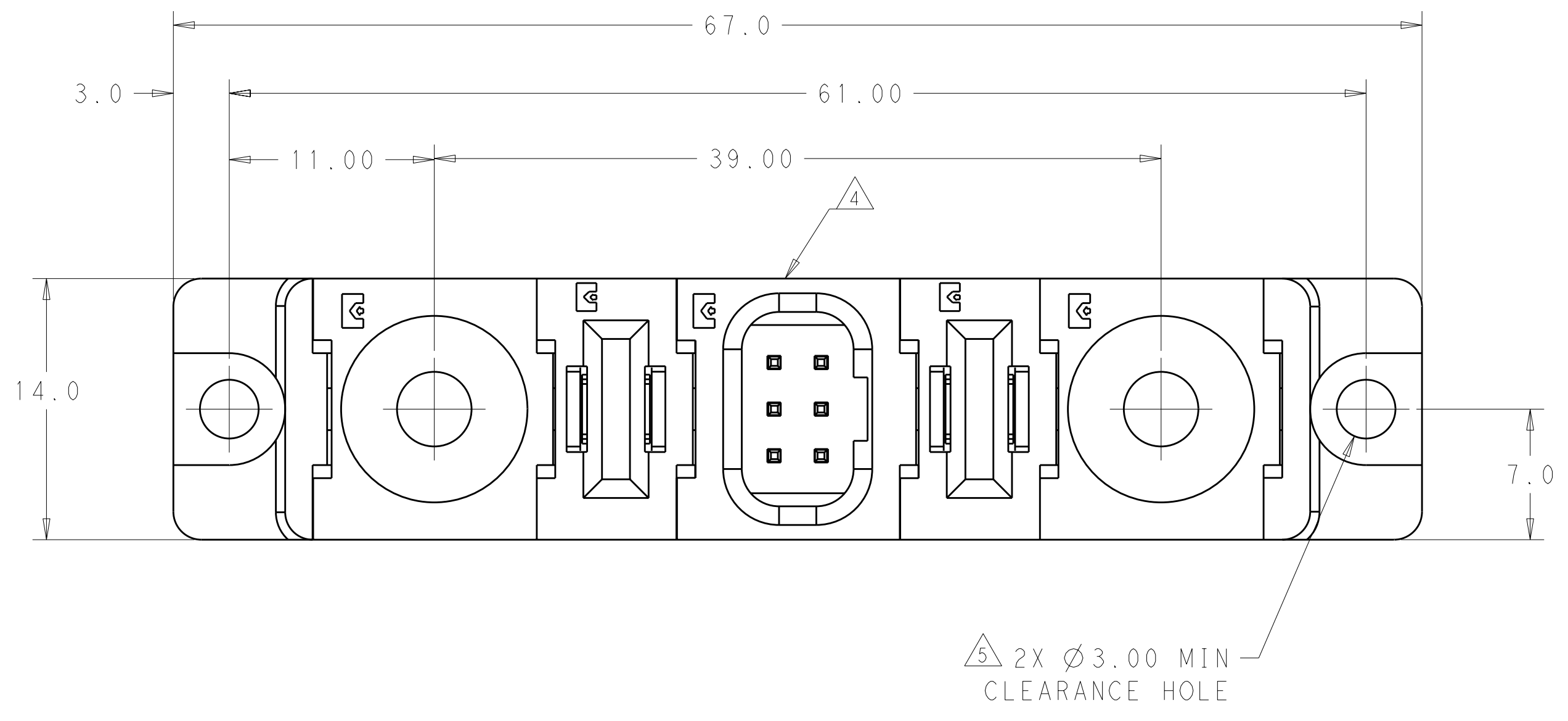


LOC	DIST	REVISIONS			
P	LTB	DESCRIPTION	DATE	DWN	APVD
GP	00	A	RELEASED	20APR2010	RG MS



1. PART NUMBER CHANGES AND OR DESIGN CHANGES AFFECTING ITEM INTERCHANGEABILITY REQUIRE PRIOR TYCO ELECTRONICS APPROVAL AND AUTHORIZATION BY REVISION TO THIS DRAWING.

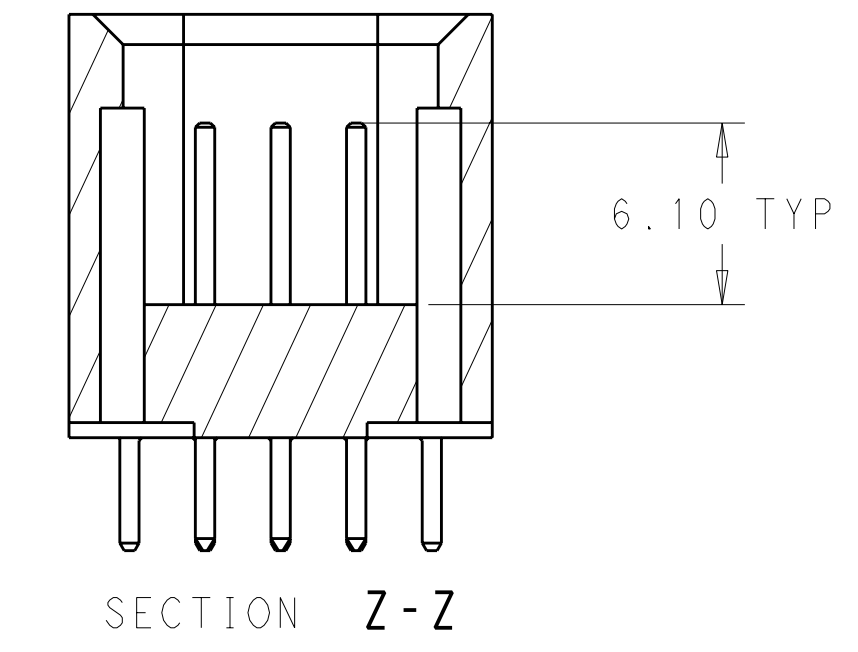
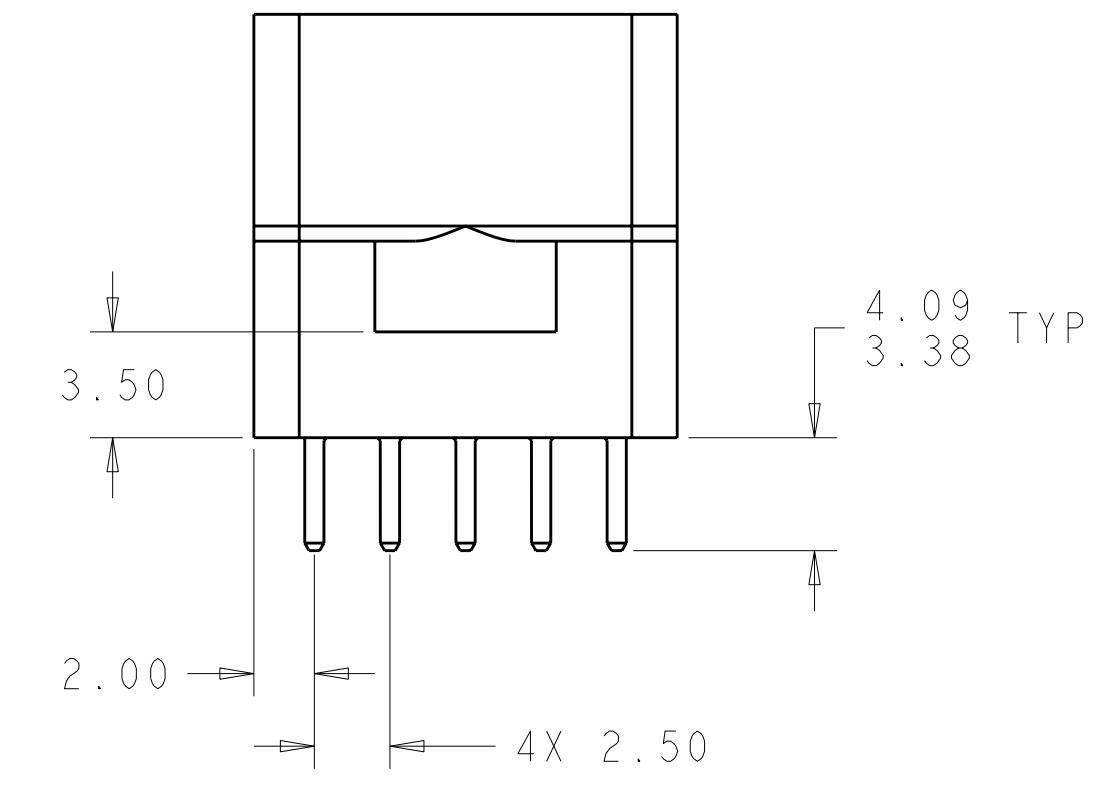
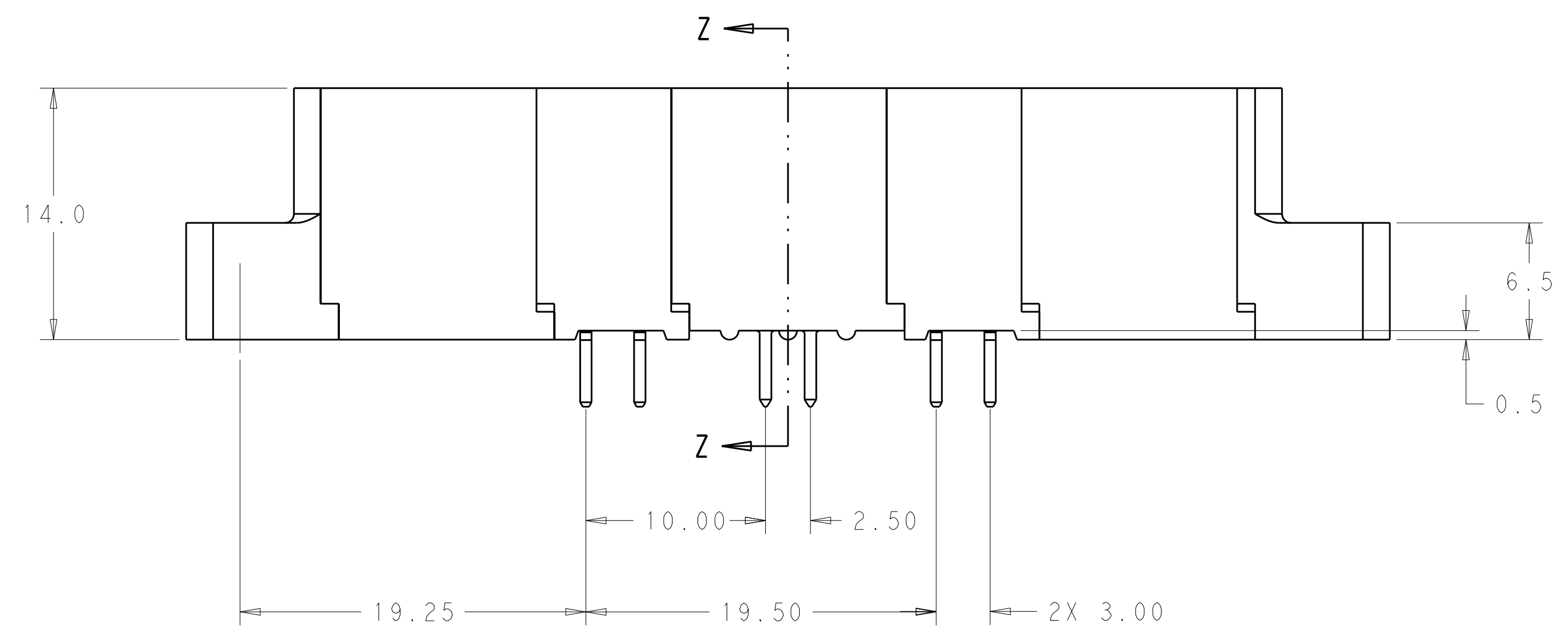
2 MATERIAL: INSULATORS - THERMOPLASTIC, GLASS REINFORCED, COLOR: BLACK UL94V-0 FLAMMABILITY RATED. POWER CONTACTS - PHOSPHOR BRONZE ALLOY, COPPER ALLOY SOLDER SIGNAL PINS-BRASS ALLOY CROWN BAND-BERYLLIUM COPPER ALLOY

3 FINISH: CONTACTS - GOLD PLATE 0.76µm MIN. THK. OVER NICKEL 1.27µm MIN. THK SOLDER TAILS - TIN 3.05µm MIN. THK. OVER NICKEL 1.27µm MIN THK.

4 ITEMS PROVIDED TO THIS SPECIFICATION TO BE PERMANENTLY IDENTIFIED PER THE FOLLOWING IDENTIFIER LABEL

TYCO ELECTRONICS P/N DATE CODE (e.g. 0106)
 XXXXXXX-X XXXX
 YEAR WEEK

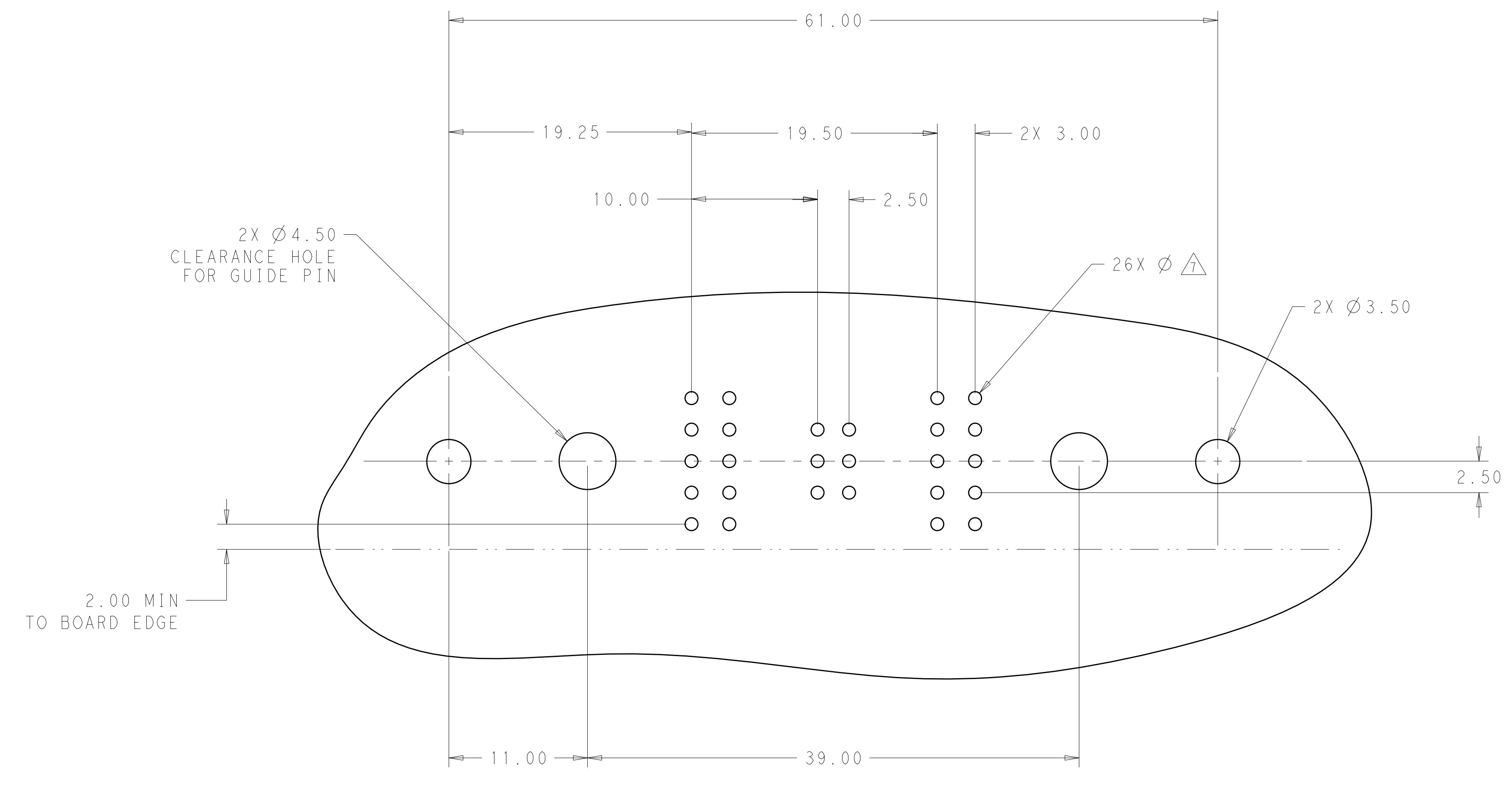
5 MOUNTING FLANGE ACCEPTS M3 OR 4-40 SCREWS (USER SUPPLIED).



AS SHOWN	6766300-1
DESCRIPTION	PART NUMBER

DIMENSIONS: mm 0 PLC ±.5 1 PLC ±0.5 2 PLC ±0.25 3 PLC ±.5 4 PLC ±.5 ANGLES ±.3		TOLERANCES UNLESS OTHERWISE SPECIFIED: FINISH: 2, 3		DWN: R. GRZYBOWSKI 20APR2010 CHK: M. SYKES 20APR2010 APVD: M. PERCHERIE 20APR2010		Tyco Electronics Corporation Harrisburg, PA 17105-3608	
MATERIAL: 2		FINISH: 3		NAME: PIN CONNECTOR ASSEMBLY STRAIGHT, SOLDER TAIL, MEDIUM LENGTH FLATPAQ		SIZE: A100779 C=6766300 SCALE: 4:1 SHEET 1 OF 3 REV A	
CUSTOMER DRAWING				RESTRICTED TO			

LOC	DIST	REV	DATE	BY	APPD
GP	00				
REVISIONS					

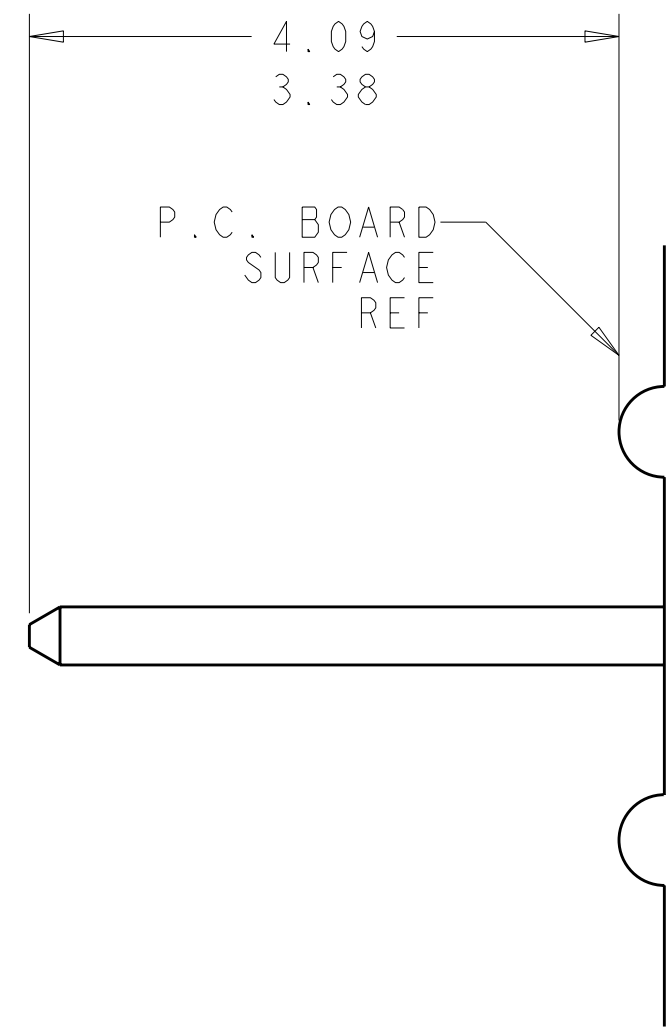


PRINTED CIRCUIT LAYOUT
 COMPONENT SIDE

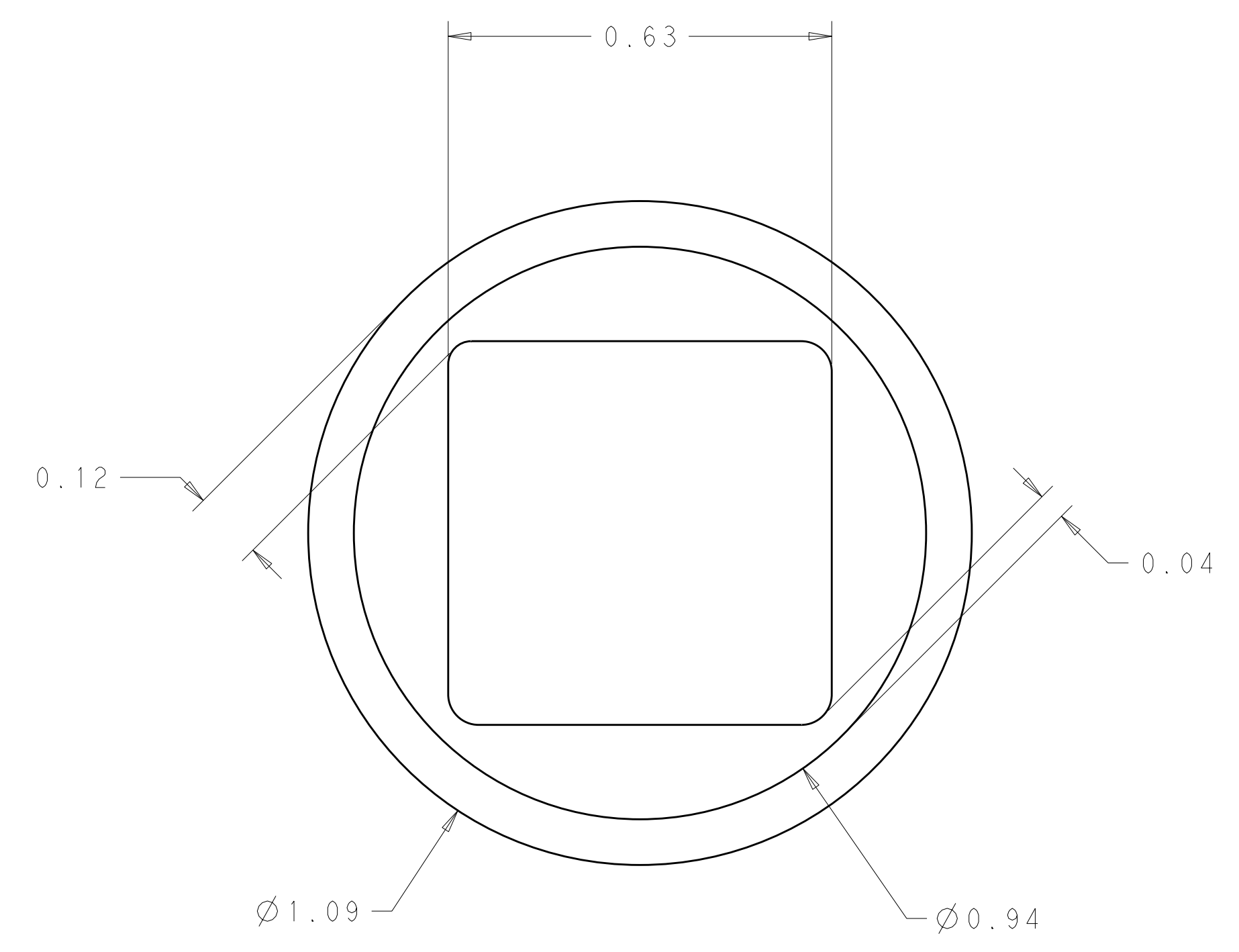
CONNECTOR	CATALOG MODULE #	QTY	SIZE NO.	CONTACT QTY	MATING PIN	MAX. CURRENT (PER CONTACT)	CONTACT SPACING	VOLTAGE RATING
PIN	FP100	2	8	2	1.25 X 7.00	35 amps	7.50	250 VOLTS
	FP312	1	22	6	.64 SQ.	3 amps	2.50	125 VOLTS
	FP500	1	LEFT MOUNTING FLANGE					
	FP501	1	RIGHT MOUNTING FLANGE					
	FP502	2	STRAIGHT GUIDE SOCKET					

DIMENSIONS: mm 		TOLERANCES UNLESS OTHERWISE SPECIFIED: 0 PLC ± 1 PLC ±0.5 2 PLC ±0.25 3 PLC ± 4 PLC ± ANGLES ± FINISH ±		DWN R. GRZYBOWSKI 20APR2010 CHK M. SYKES 20APR2010 APVD M. PERCHERIE 20APR2010		Tyco Electronics Corporation Harrisburg, PA 17105-3608	
MATERIAL - FINISH -		WEIGHT - CUSTOMER DRAWING		NAME PRODUCT SPEC APPLICATION SPEC SIZE CAGE CODE DRAWING NO. RESTRICTED TO A100779C-6766300		PIN CONNECTOR ASSEMBLY STRAIGHT, SOLDER TAIL, MEDIUM LENGTH FLATPAQ	
SCALE 4:1 SHEET 2 OF 3 REV A				Tyco Electronics			

LOC	DIST	REVISIONS			
P	LTB	DESCRIPTION	DATE	DWN	APVD
-	-	SEE SHEET 1	-	-	-



6. SOLDER PIN DETAIL
SCALE 10 : 1



△ SOLDER TERMINATION AREA
SCALE 40:1
RECOMMENDED PRINTED CIRCUIT SOLDER HOLE
FINISHED HOLE: Ø1.02 ±.08
DRILLED HOLE: Ø1.15 ±.013
COPPER PLATE: .025 MIN
TIN/LEAD PLATE: .008 MIN. (PER SURFACE)

<small>THE INFORMATION CONTAINED HEREIN IS UNCLASSIFIED EXCEPT WHERE SHOWN OTHERWISE. IT IS SUBJECT TO CHANGE WITHOUT NOTICE AND IS NOT TO BE DISTRIBUTED OUTSIDE YOUR ORGANIZATION UNLESS SO CONTACTED FOR THE LATEST REVISION.</small>		DWN R. GRZYBOWSKI 20APR2010 CHK M. SYKES 20APR2010 APVD M. PERCHERIE 20APR2010	Tyco Electronics Corporation Harrisburg, PA 17105-3608
DIMENSIONS: mm 	TOLERANCES UNLESS OTHERWISE SPECIFIED: 0 PLC ±. 1 PLC ±0.5 2 PLC ±0.25 3 PLC ±. 4 PLC ±. ANGLES ±. FINISH ±.3	NAME PRODUCT SPEC APPLICATION SPEC WEIGHT CUSTOMER DRAWING	Tyco Electronics PIN CONNECTOR ASSEMBLY STRAIGHT, SOLDER TAIL, MEDIUM LENGTH FLATPAQ SIZE CAGE CODE DRAWING NO A100779C-6766300 SCALE 4:1 SHEET 3 OF 3 REV A

单击下面可查看定价，库存，交付和生命周期等信息

[>>TE Connectivity\(泰科\)](#)