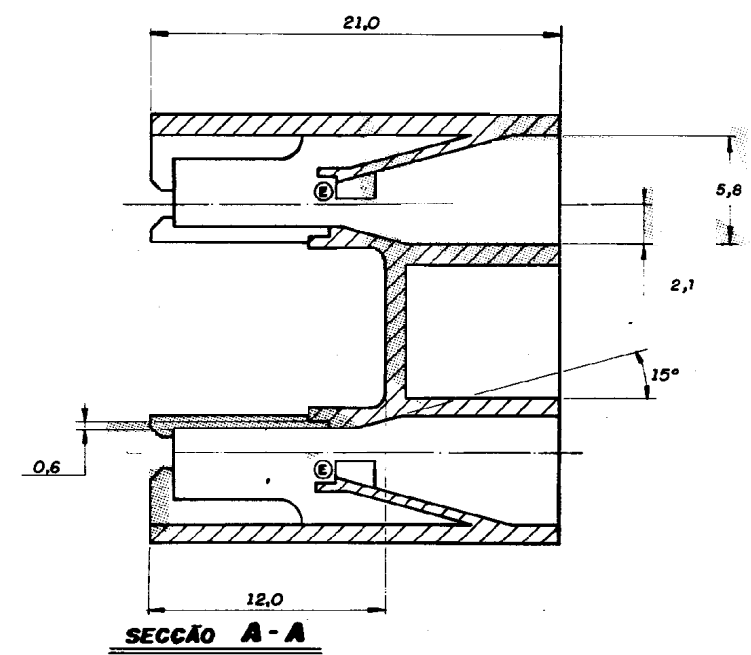
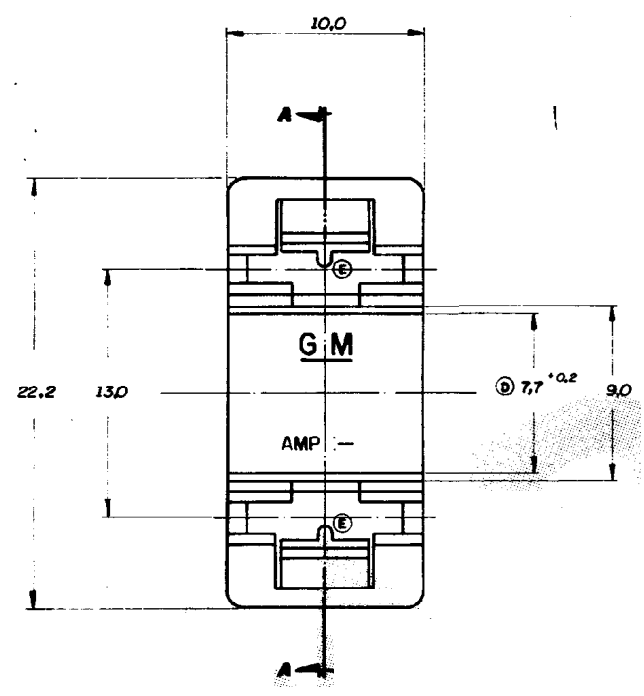


C-881378

REV	DESCRIPTION	DATE	DWN	APVD
F	NEW DRAWING	30SEP2014	NK	TD



PRETO		POLIAMIDA 6/6		8 8 1 3 7 8 -1	
FINISH		MATERIAL		PART NUMBER	
TOLERANCES UNLESS OTHERWISE STATED DEC. ±0.3 ANGLES ± 1°		INS. DIA. RANGE	WIRE RANGE	SCALE	
CUSTOMER DWG for REFERENCE ONLY DO NOT SCALE DIMENSIONS IN MM.		DWN NAGALAKSHMI K		TE Connectivity	
3rd ANGLE PROJECTION		CHK DING TIM		DESCRIPTION HOUSING, 2 WAY .250 FAST-IN-ON REC.	
		APVD DING TIM		A3 SHEET 1 OF 1	DWG NO C-881378 REV F

3 CUSTOMER DRAWING

单击下面可查看定价，库存，交付和生命周期等信息

[>>TE Connectivity\(泰科\)](#)