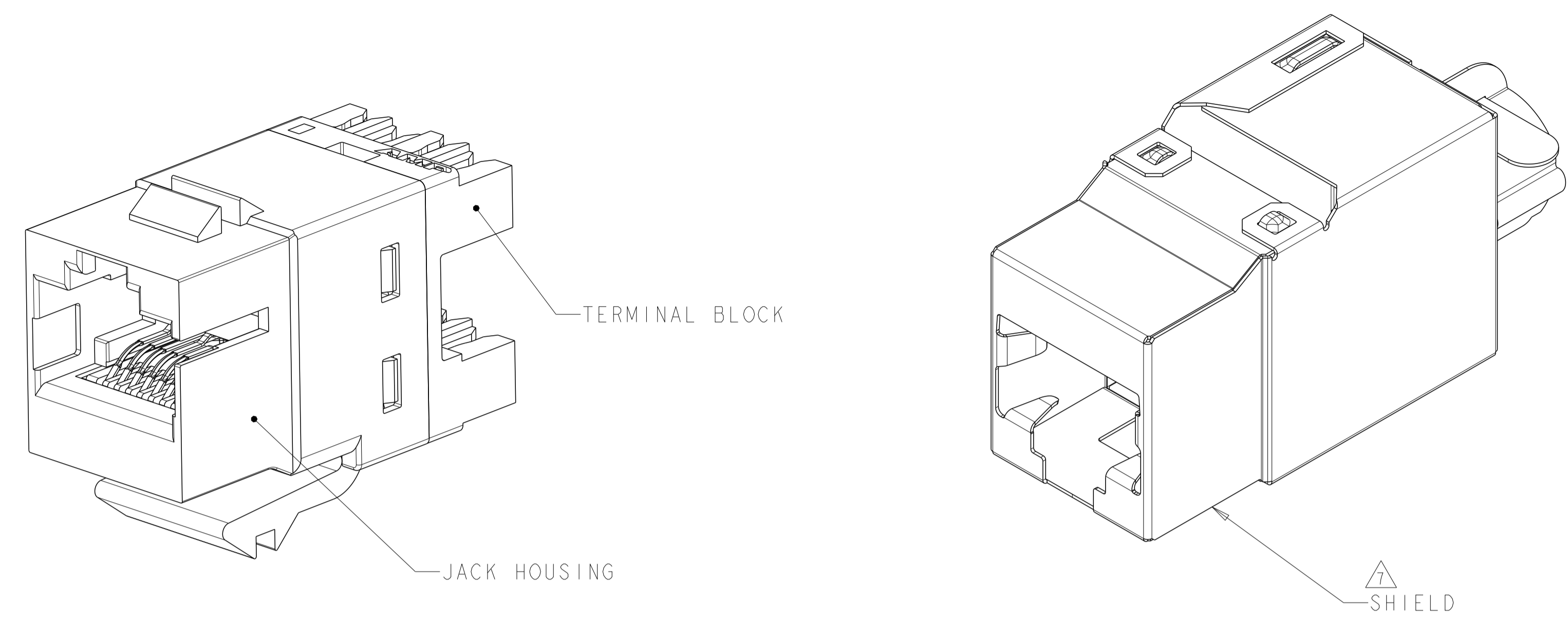
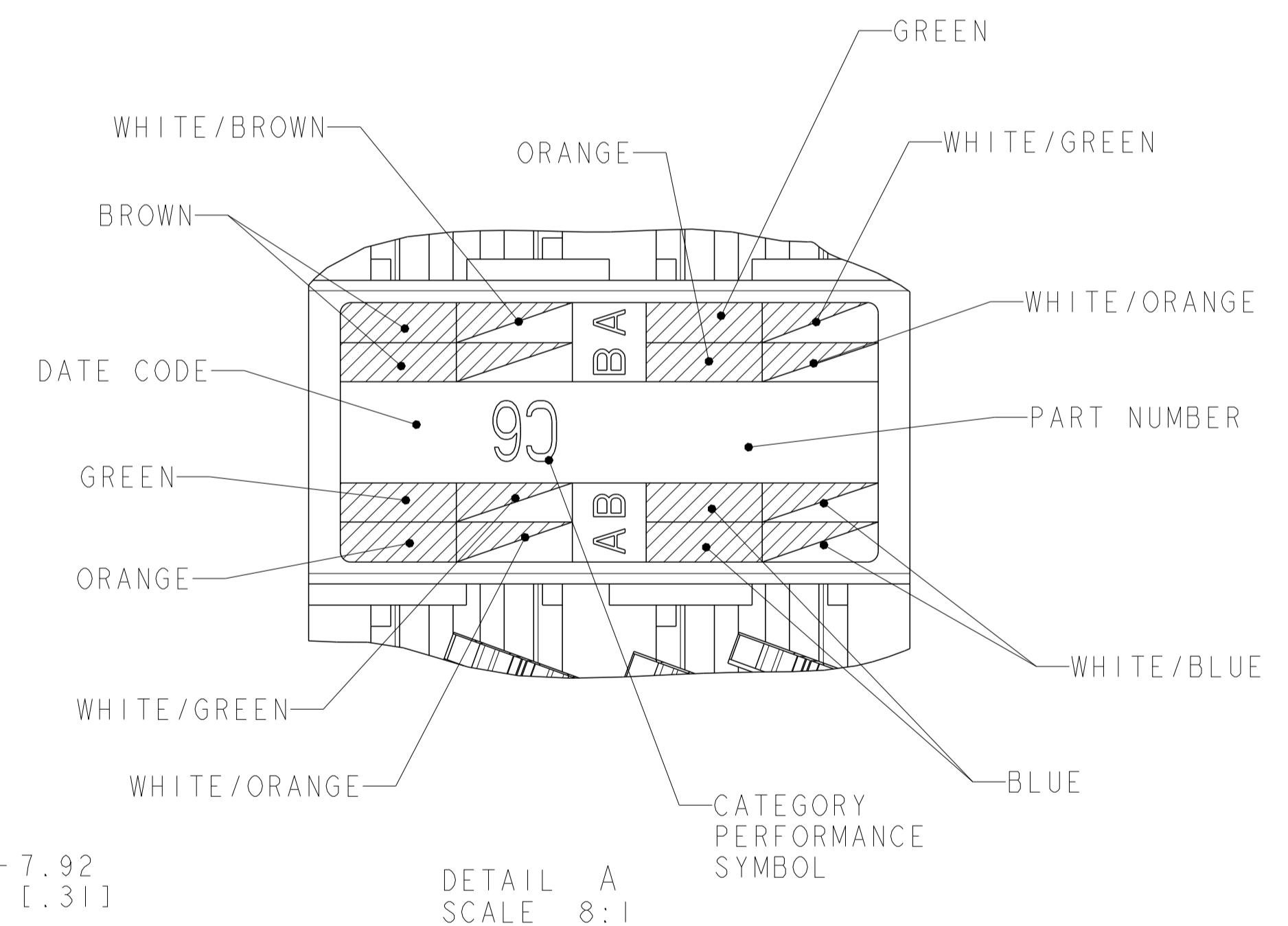
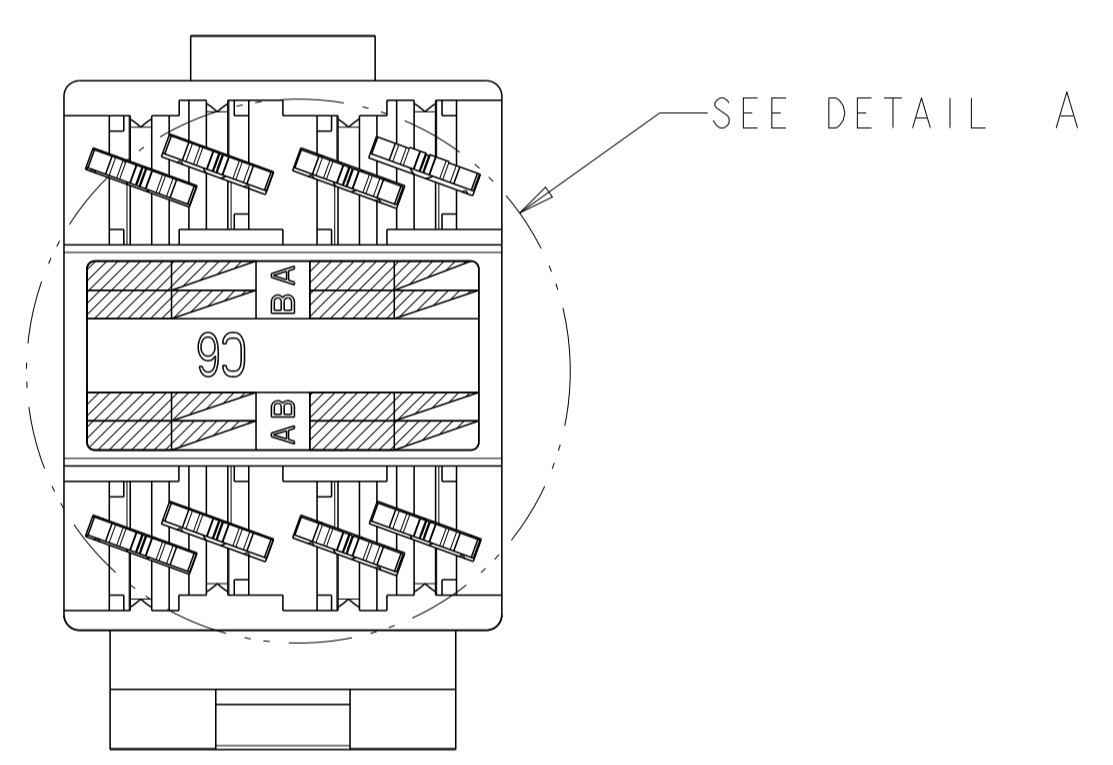
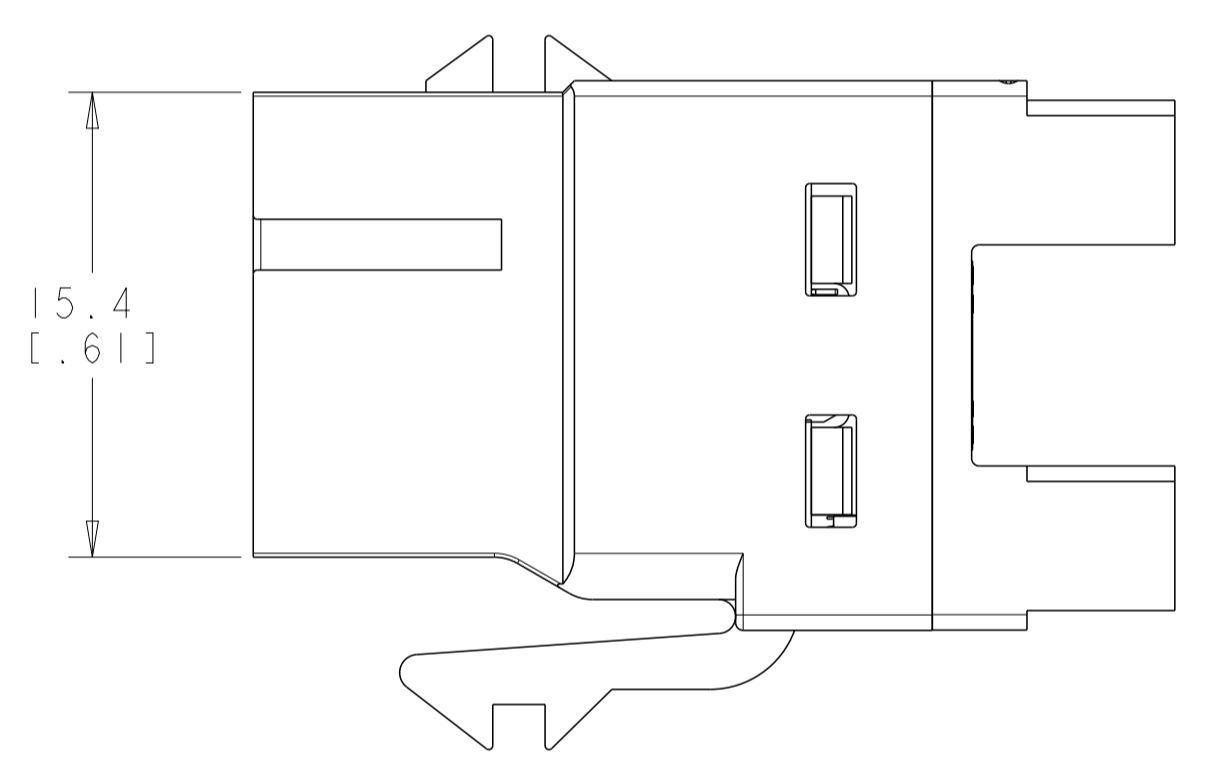
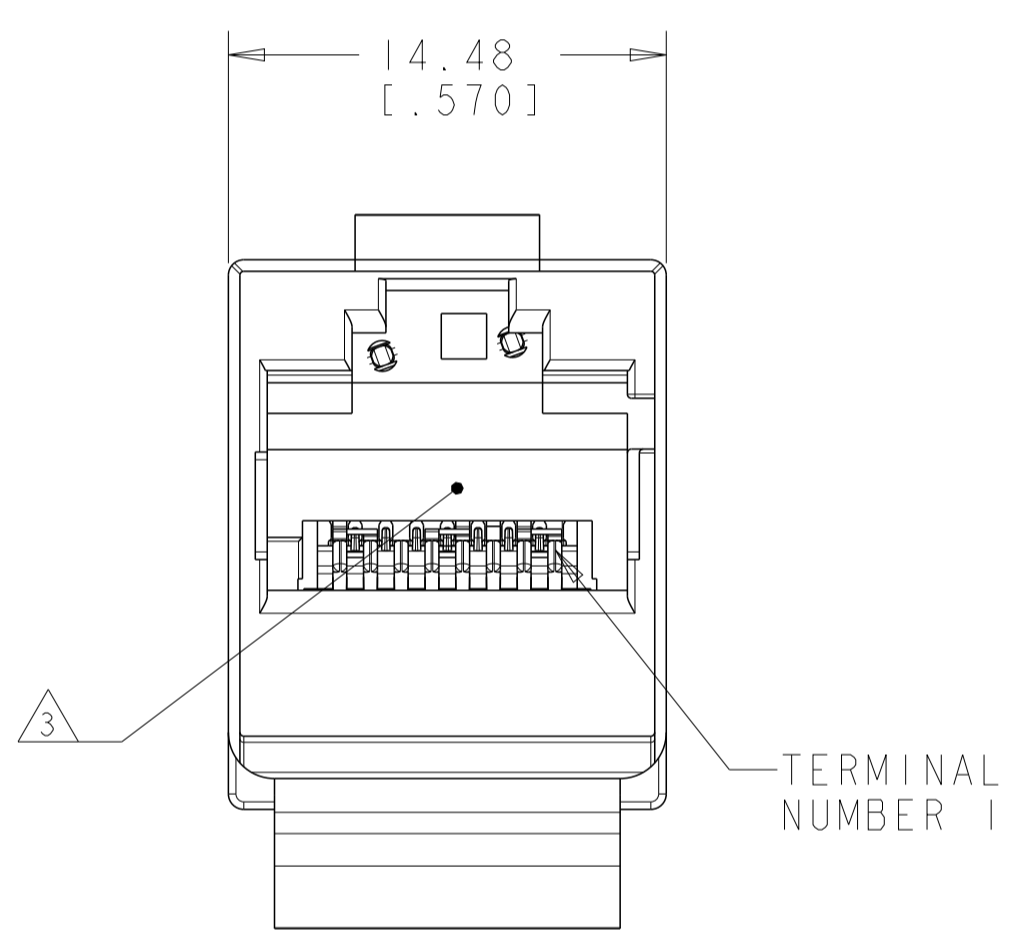


LOC	DIST	REVISIONS			
P	LTN	DESCRIPTION	DATE	DMN	APVD
	J1	REV: 40026223MCO	04NOV2015	GG	SJ



- 1. MATERIAL: JACK HOUSING - POLYCARBONATE, 94V-0 RATED.  
110 BLOCK - POLYCARBONATE.  
ARRAY TRAY - PBT POLYESTER.  
JACK CONTACTS ARRAY - BERYLLIUM COPPER, PLATED WITH 1.27µm [.000050] MINIMUM THICK GOLD IN LOCALIZED AREA AND 3.81µm [.000150] MINIMUM THICK MATTE TIN IN BOARD INTERFACE AREA OVER 1.27µm [.000050] MINIMUM THICK NICKEL UNDERPLATE.  
IDC TERMINALS - PHOSPHOROUS BRONZE, PLATED WITH 3.81µm [.00015] MINIMUM THICK MATTE TIN OVER 1.27µm [.00005] MINIMUM THICK NICKEL UNDERPLATE.
- 2. SL 110 JACK WILL TERMINATE 22-24 AWG SOLID AND 24-26 AWG STRANDED CONDUCTORS, 1.27[.050] MAXIMUM INSULATION DIAMETER.
- 3. CAVITY CONFORMS TO FCC RULES AND REGULATIONS PART 68 SUBPART F REQUIREMENTS.
- 4. MOUNTING PANEL THICKNESS 1.47 - 1.60 [.058 - .063].
- 5. THESE TWO SUGGESTED CUTOUT OPENINGS ARE USED IN TANDEM WITH DUAL FRONT AND BACK CUTOUTS.
- 6. ONE MODULAR JACK ASSEMBLY AND ONE SHIELD PER POLYBAG.
- 7. SHIELD SHIPPED NOT ASSEMBLED.
- 8. JACKS MATE WITH SECURE RJ45 PLUGS ONLY. KEY COMBINATIONS 1 THROUGH 4, SHOWN ON SHEET 2. COMPONENTS REMOVED FROM RESPECTIVE VIEWS FOR CLARITY.
- 9. REFER TO 408-8858 FOR TERMINATION INSTRUCTIONS USING SL SERIES TOOL TERMINATION. REFER TO 408-8417 FOR TERMINATION INSTRUCTIONS USING 110 PUNCH DOWN TOOL.



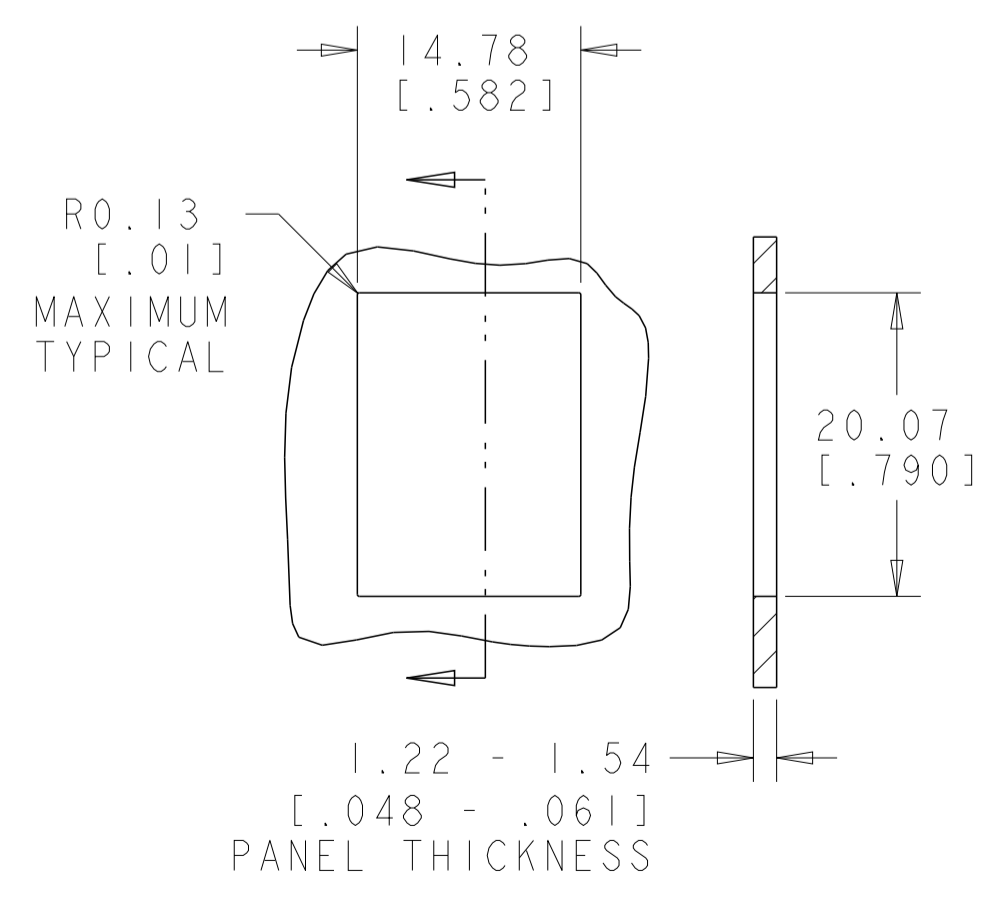
1479795-1 KEY 1 SHOWN

COLOR CODE	IDC TERMINAL	MODULAR JACK	
WHITE/BLUE	5		5
BLUE	4		4
WHITE/ORANGE	3		1
ORANGE	6		2
WHITE/GREEN	1		3
GREEN	2		6
WHITE/BROWN	7		7
BROWN	8		8

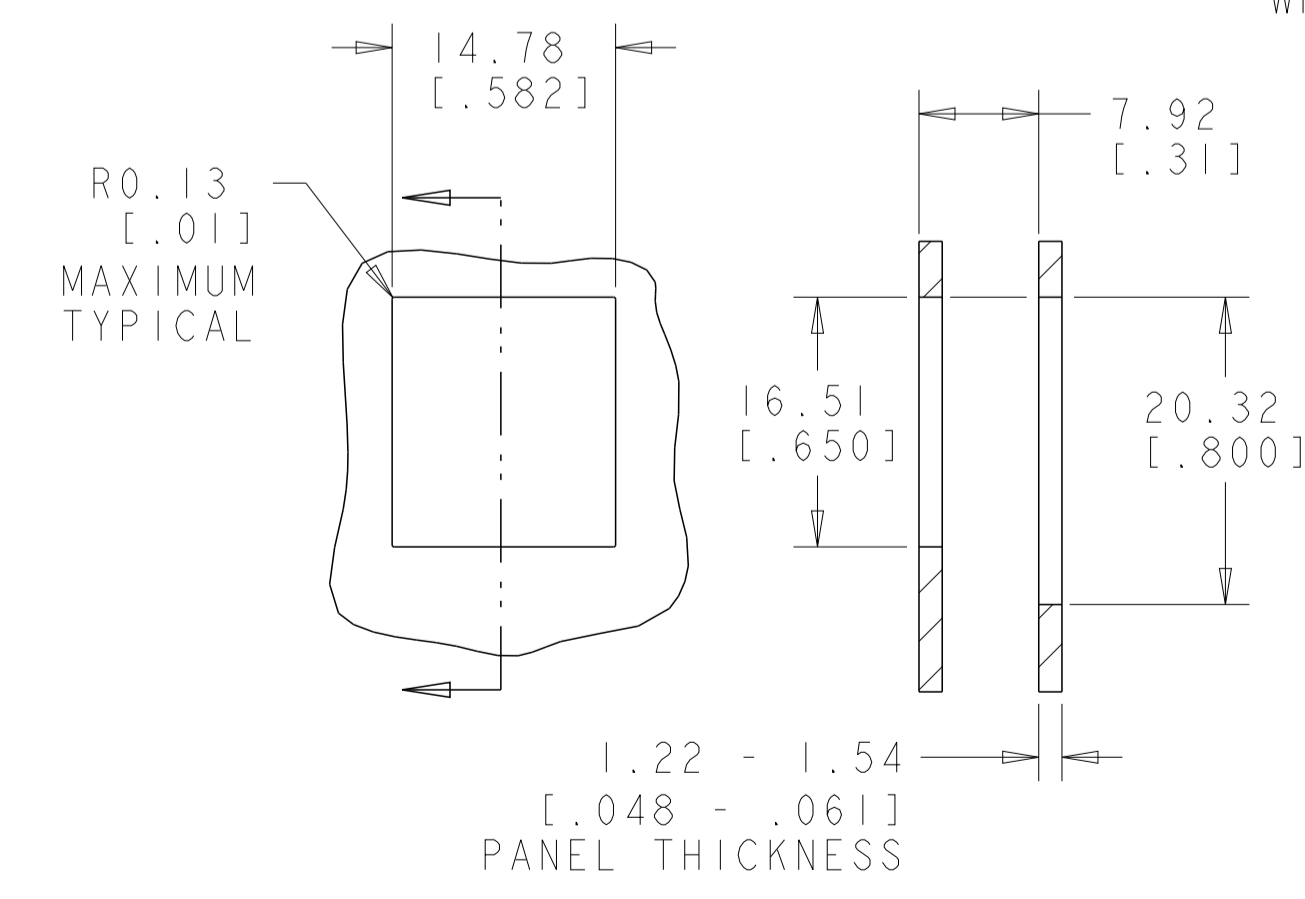
ELECTRICAL SCHEMATIC T568A

COLOR CODE	IDC TERMINAL	MODULAR JACK	
WHITE/BLUE	5		5
BLUE	4		4
WHITE/ORANGE	1		1
ORANGE	2		2
WHITE/GREEN	3		3
GREEN	6		6
WHITE/BROWN	7		7
BROWN	8		8

ELECTRICAL SCHEMATIC T568B



SINGLE PANEL CUTOUT 5



SUGGESTED FLUSH MOUNT PANEL APPLICATION CUTOUT 5

PACKAGE	KEY	COLOR	PART NUMBER
6	4	BLUE	1479795-4
	3	GREEN	1479795-3
	2	YELLOW	1479795-2
	1	RED	1479795-1

THIS DRAWING IS A CONTROLLED DOCUMENT.

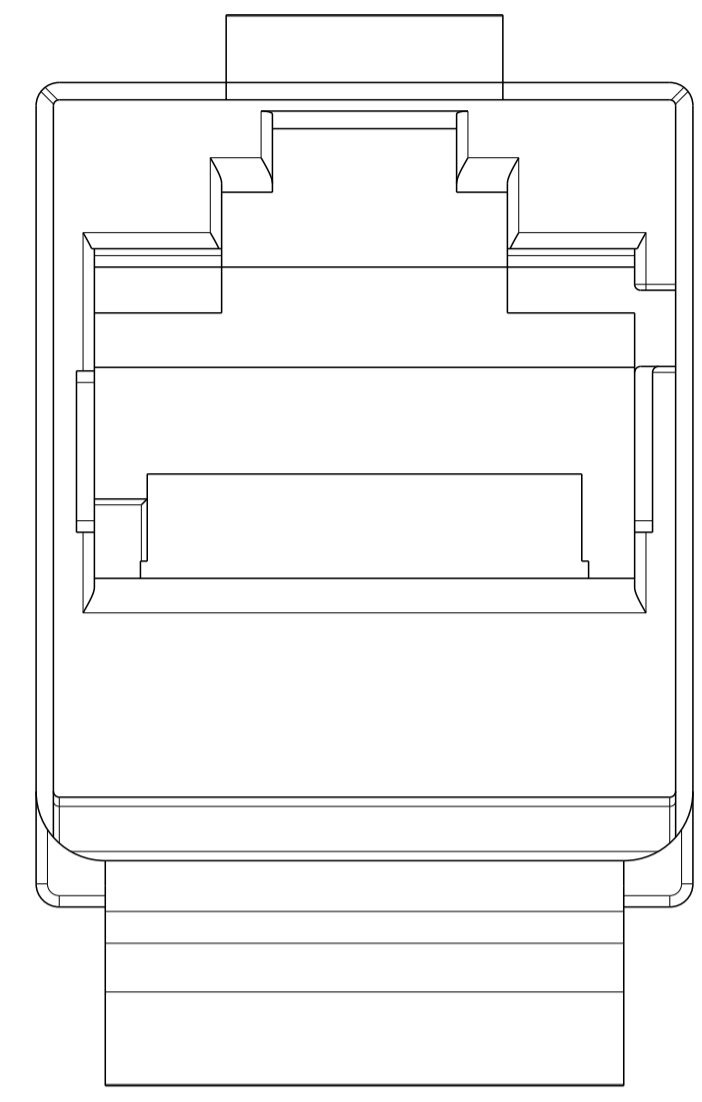
DIMENSIONS: MM [inches]	TOLERANCES UNLESS OTHERWISE SPECIFIED:	DMN G. GARRETT 13JUL2005	CHK C. DOOLEY 13JUL2005	APVD C. DOOLEY 13JUL2005	NAME ASSEMBLY, SL 110 JACK, SHIELDED, CAT 6, SECURE RJ45, REAR ENTRY
0 PLC ±	1 PLC ±	2 PLC ±	3 PLC ±	4 PLC ±	ANGLES ±
MATERIAL	FINISH	WEIGHT	DRAWING NO	RESTRICTED TO	

Customer Drawing

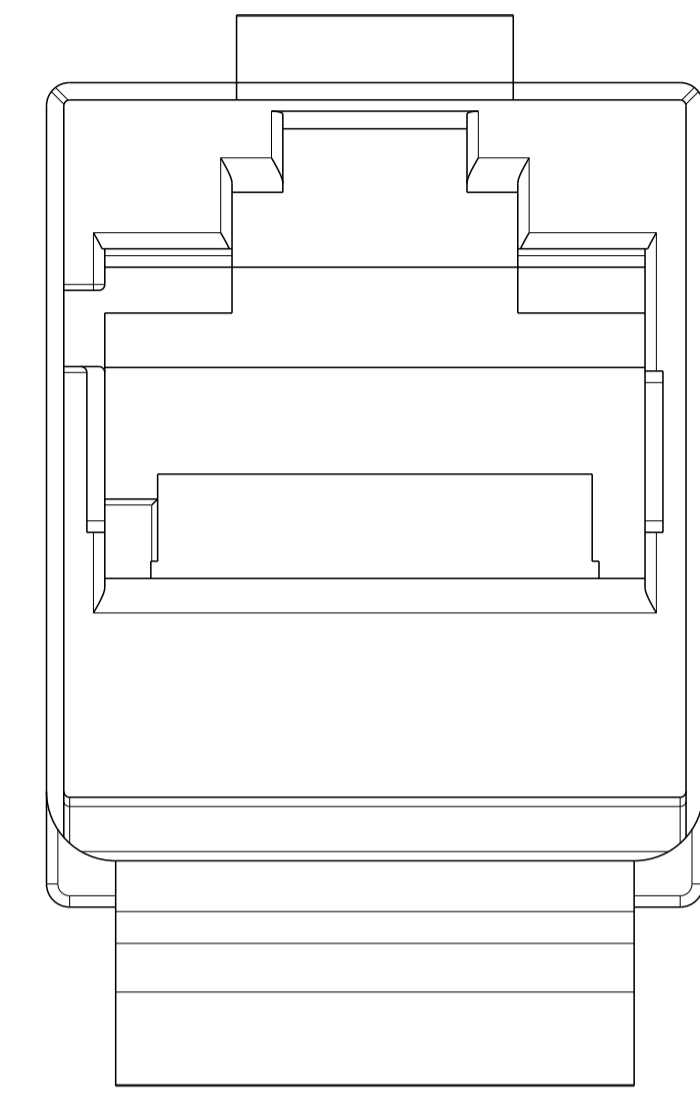
SCALE 2:1 SHEET 1 OF 2 REV J1

THIS DRAWING IS UNPUBLISHED. RELEASED FOR PUBLICATION 20  
 © COPYRIGHT 20 BY - ALL RIGHTS RESERVED.

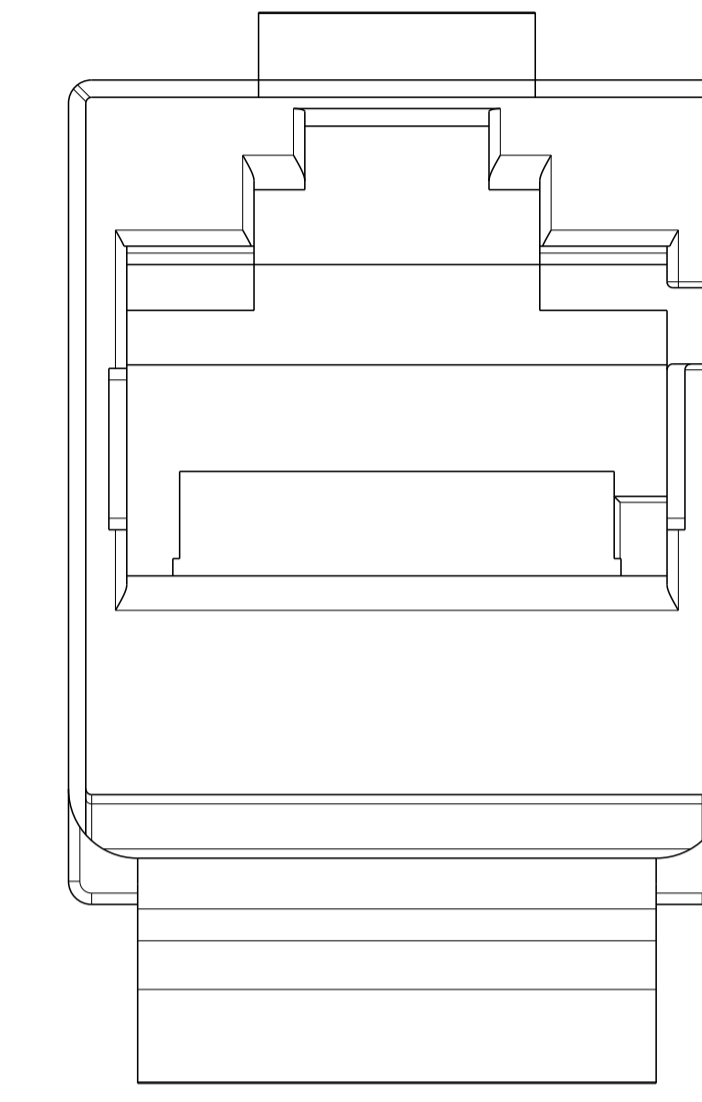
LOC		DIST		REVISIONS			
P	LTN	DESCRIPTION	DATE	DWN	APVD		
-	-	SEE SHEET 1	-	-	-		



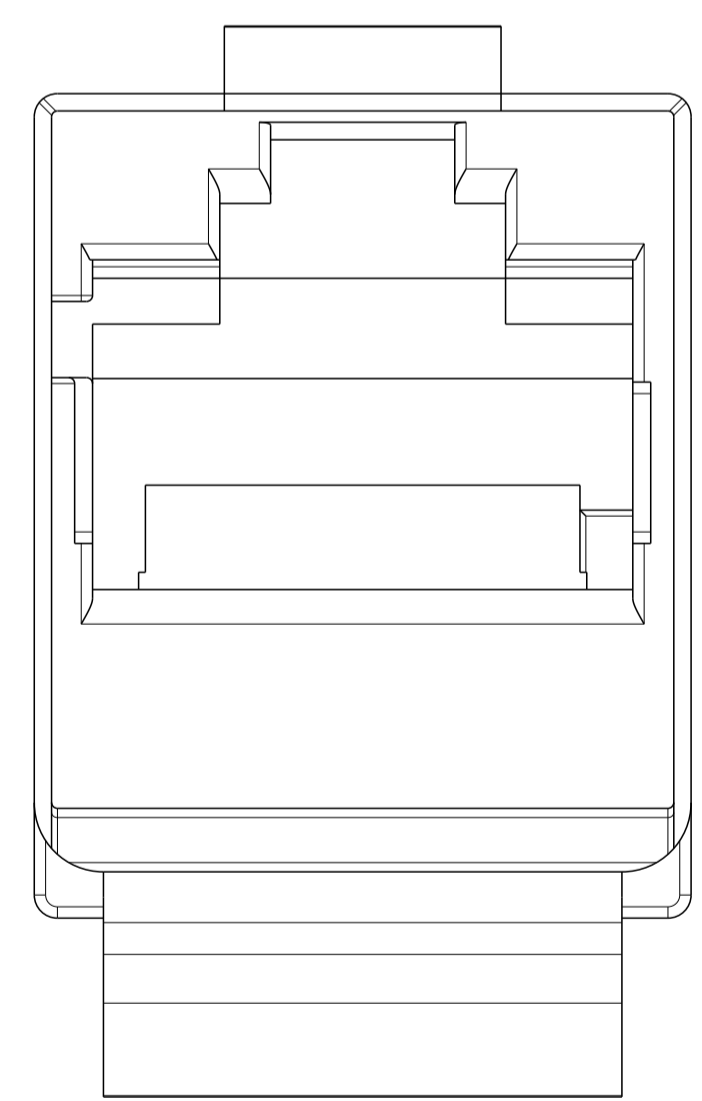
1479795-1 ⚠  
KEY 1, RED



1479795-2 ⚠  
KEY 2, YELLOW



1479795-3 ⚠  
KEY 3, GREEN



1479795-4 ⚠  
KEY 4, BLUE

THIS DRAWING IS A CONTROLLED DOCUMENT.		DWN G. GARRETT 13JUL2005	
DIMENSIONS: MM[inches]		CHK C. DOOLEY 13JUL2005	
TOLERANCES UNLESS OTHERWISE SPECIFIED:		APVD C. DOOLEY 13JUL2005	NAME ASSEMBLY, SL 110 JACK, SHIELDED, CAT 6, SECURE RJ45, REAR ENTRY
0 PLC ±	1 PLC ±	PRODUCT SPEC	SIZE A100779
2 PLC ±	3 PLC ±	APPLICATION SPEC	CAGE CODE C=1479795
4 PLC ±	ANGLES ±	RESTRICTED TO	REVISION J1
MATERIAL	FINISH	WEIGHT	SCALE 2:1
Customer Drawing		SHEET 2 OF 2	REV J1

单击下面可查看定价，库存，交付和生命周期等信息

[>>TE Connectivity\(泰科\)](#)