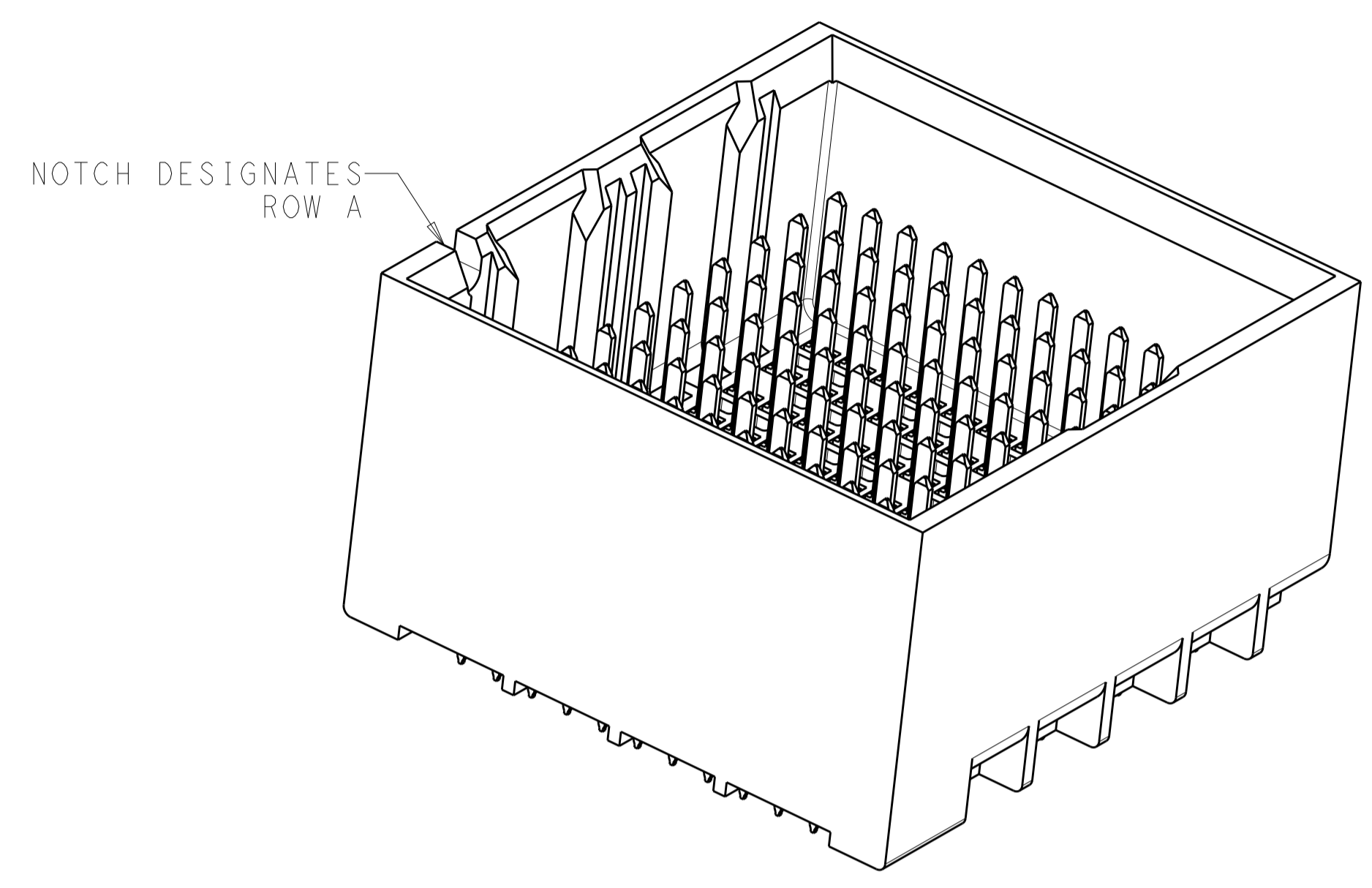
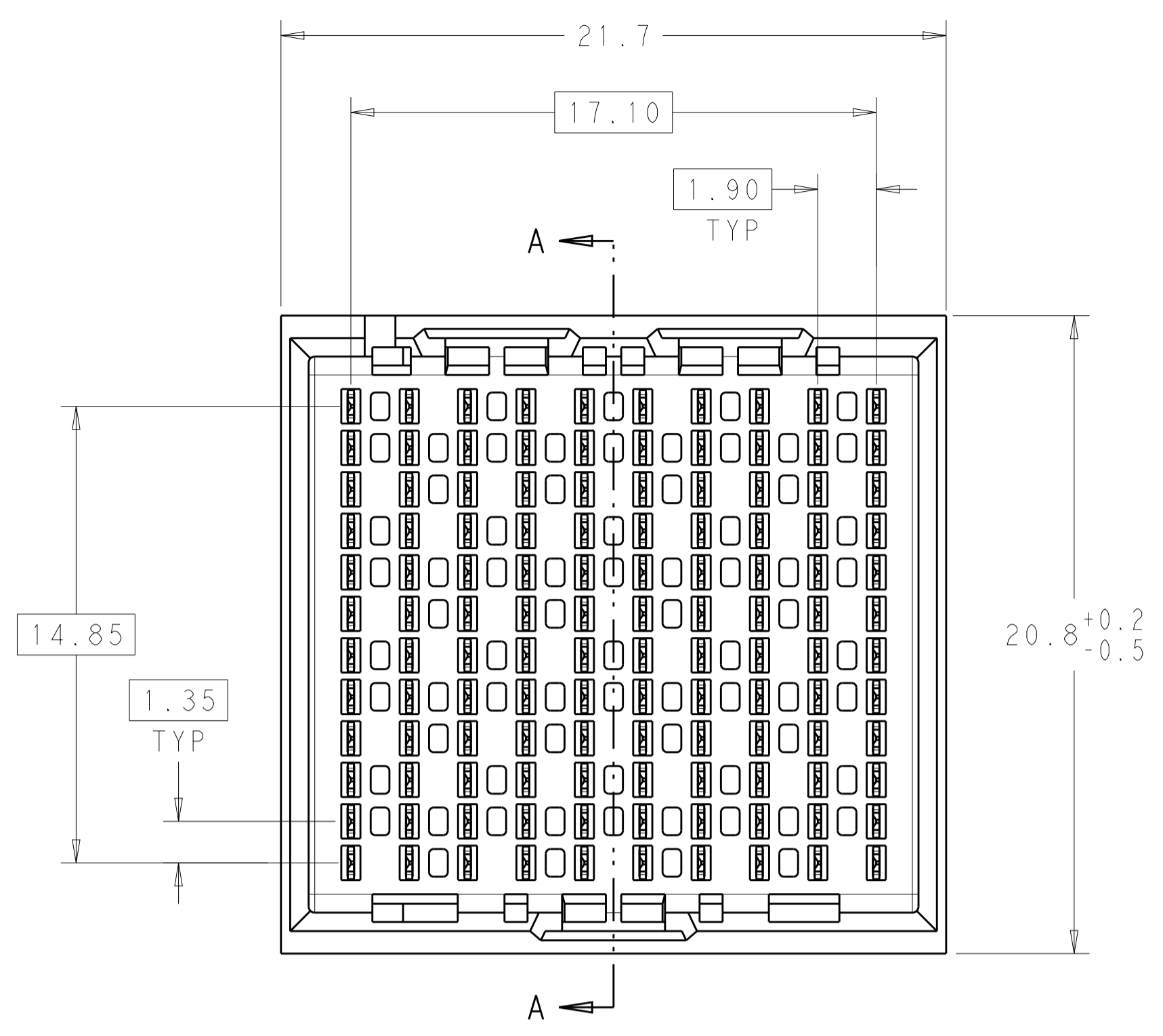
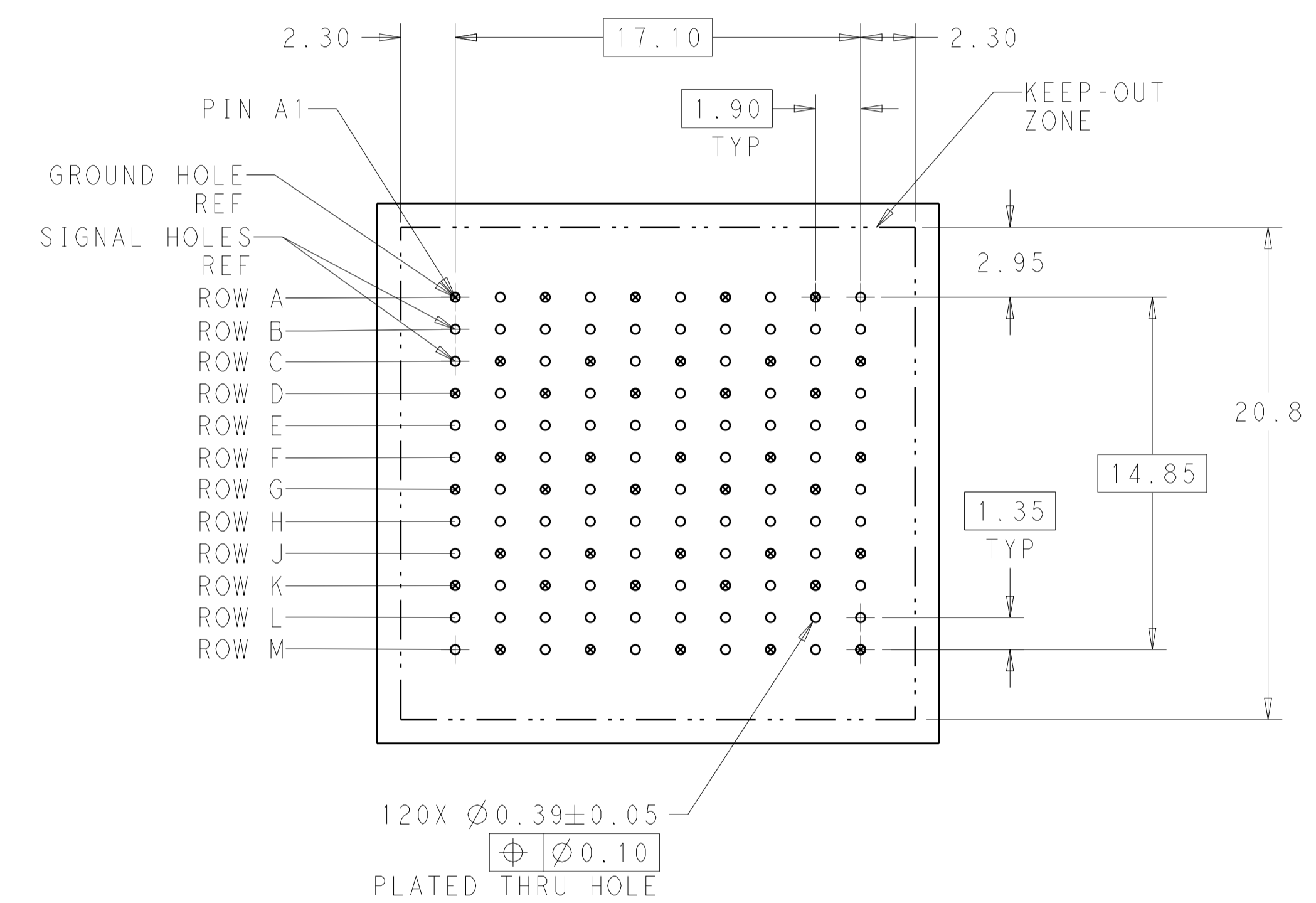


LOC	DIST	REVISIONS					
		P	LTN	DESCRIPTION	DATE	DWN	APVD
AD	00	B1		REVISED PER ECO-15-001494	05FEB2015	AP	DD

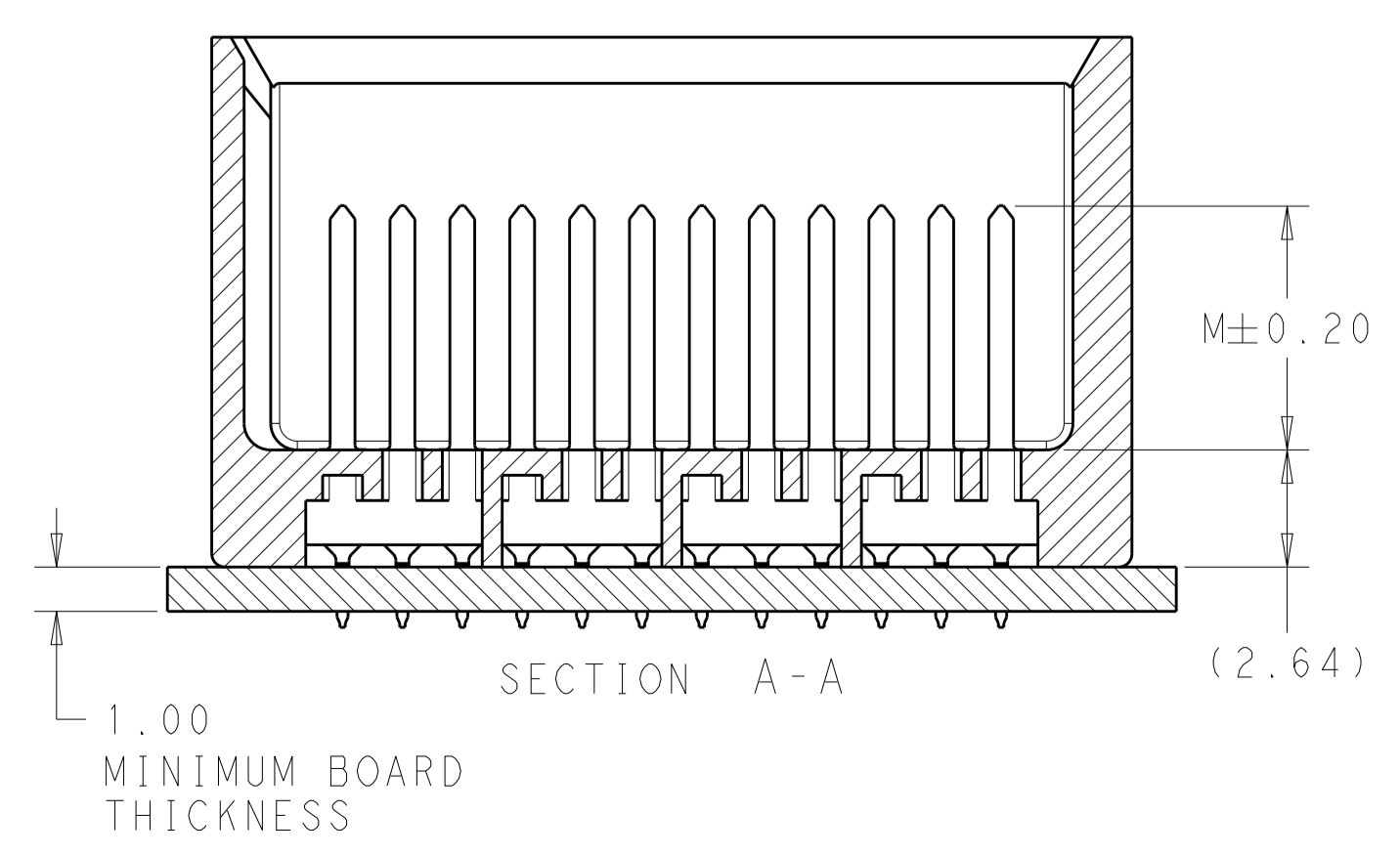
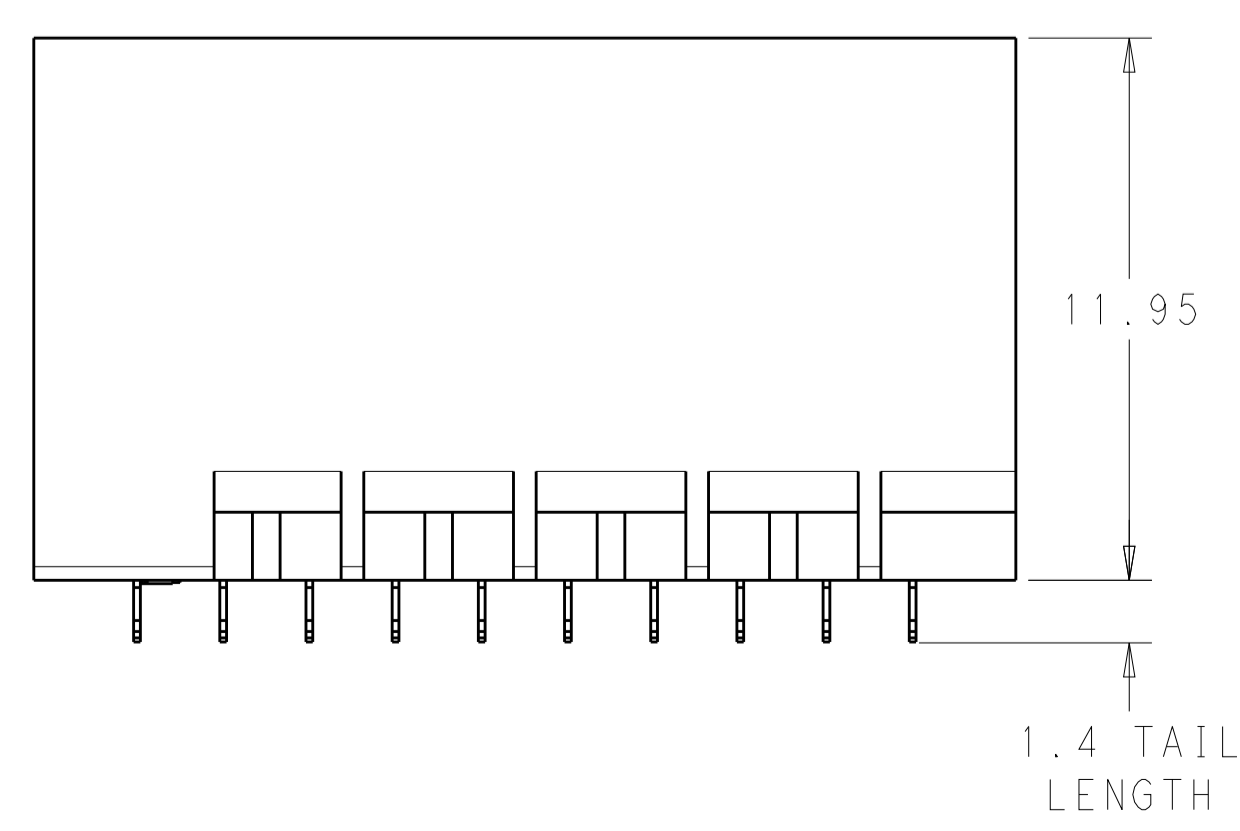


⚠ MATERIAL:
HOUSING: LCP, GLASS FILLED, UL94V-0.
TERMINALS: HIGH PERFORMANCE COPPER ALLOY.

⚠ FINISH:
30μ" MIN GOLD IN CONTACT AREA. SELECTIVE TIN ON PCB TAILS, NICKEL OVERALL.



UNGUIDED BACKPLANE HOLE PATTERN (CONNECTOR SIDE)



THIS DRAWING IS A CONTROLLED DOCUMENT.		DWN: J. K. SHOBER 13JAN2011	TE Connectivity
DIMENSIONS: mm		CHK: J. EARY 13JAN2011	
TOLERANCES UNLESS OTHERWISE SPECIFIED:		APVD: J. EARY 13JAN2011	NAME: IMPACT, 4 PAIR, 10 COLUMN, HEADER
0 PLC	±	PRODUCT SPEC	UNGUIDED, DUAL END WALL
1 PLC	±0.25	APPLICATION SPEC	SIGNAL MODULE, 0.39 PTH
2 PLC	±0.13	WEIGHT	SIZE: CAGE CODE: DRAWING NO: A100779 ©=2007822
3 PLC	±	FINISH: SEE TABLE	RESTRICTED TO: -
4 PLC	±	MATERIAL: SEE TABLE	CUSTOMER DRAWING
ANGLES	±	SCALE: 6:1	SHEET 1 OF 2
			REV: B1

THIS DRAWING IS UNPUBLISHED.	RELEASED FOR PUBLICATION	20
© COPYRIGHT 20	ALL RIGHTS RESERVED.	

LOC	DIST	REVISIONS					
		P	LTN	DESCRIPTION	DATE	DWN	APVD
AD	00	-	-	SEE SHEET 1	-	-	-

	5.5	2007822-3
	4.9	2007822-2
	4.5	2007822-1
FINISH	DIM M	PART NUMBER

REFER TO WWW.TE.COM
FOR PRODUCT AVAILABILITY

THIS DRAWING IS A CONTROLLED DOCUMENT.		DWN	J. K. SHOBER	13JAN2011		TE Connectivity
		CHK	J. EARY	13JAN2011		
		APVD	J. EARY	13JAN2011	NAME	IMPACT, 4 PAIR, 10 COLUMN, HEADER
DIMENSIONS:		TOLERANCES UNLESS OTHERWISE SPECIFIED:		PRODUCT SPEC	UNGUIDED, DUAL END WALL	
mm	0 PLC ±	1 PLC ±0.25	2 PLC ±0.13	APPLICATION SPEC	SIGNAL MODULE, 0.39 PTH	
	3 PLC ±	4 PLC ±	ANGLES ±	RESTRICTED TO	SIZE CAGE CODE DRAWING NO	
MATERIAL	FINISH	SEE TABLE	WEIGHT	-	A100779C=2007822	
CUSTOMER DRAWING				SCALE	5:1	SHEET 2 OF 2 REV B1

单击下面可查看定价，库存，交付和生命周期等信息

[>>TE Connectivity\(泰科\)](#)