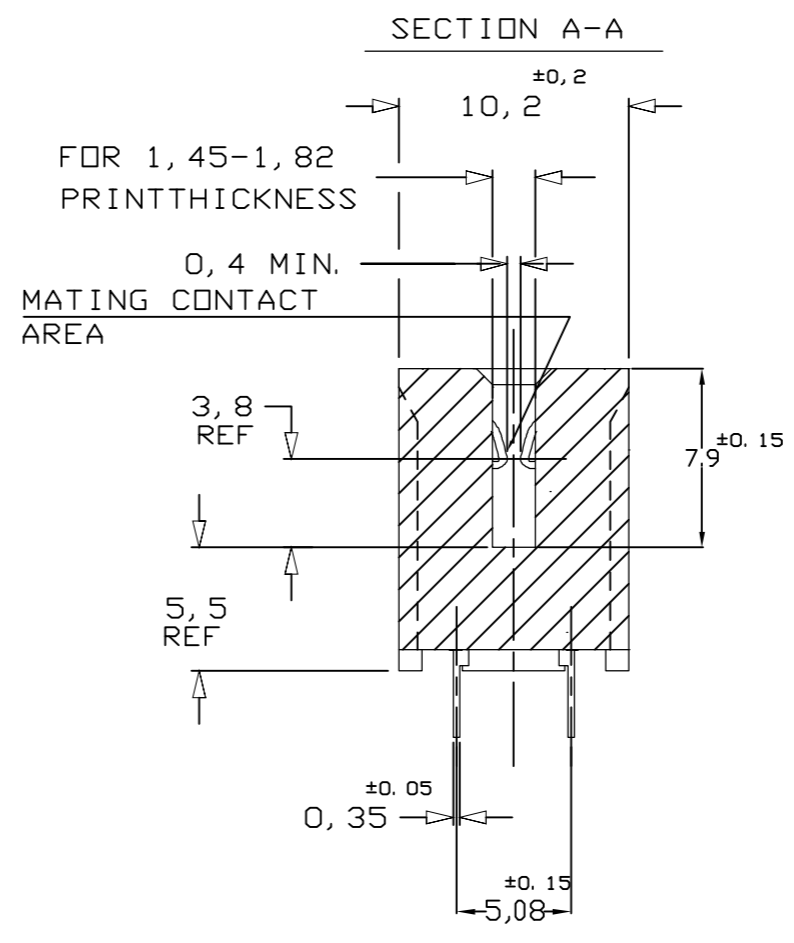
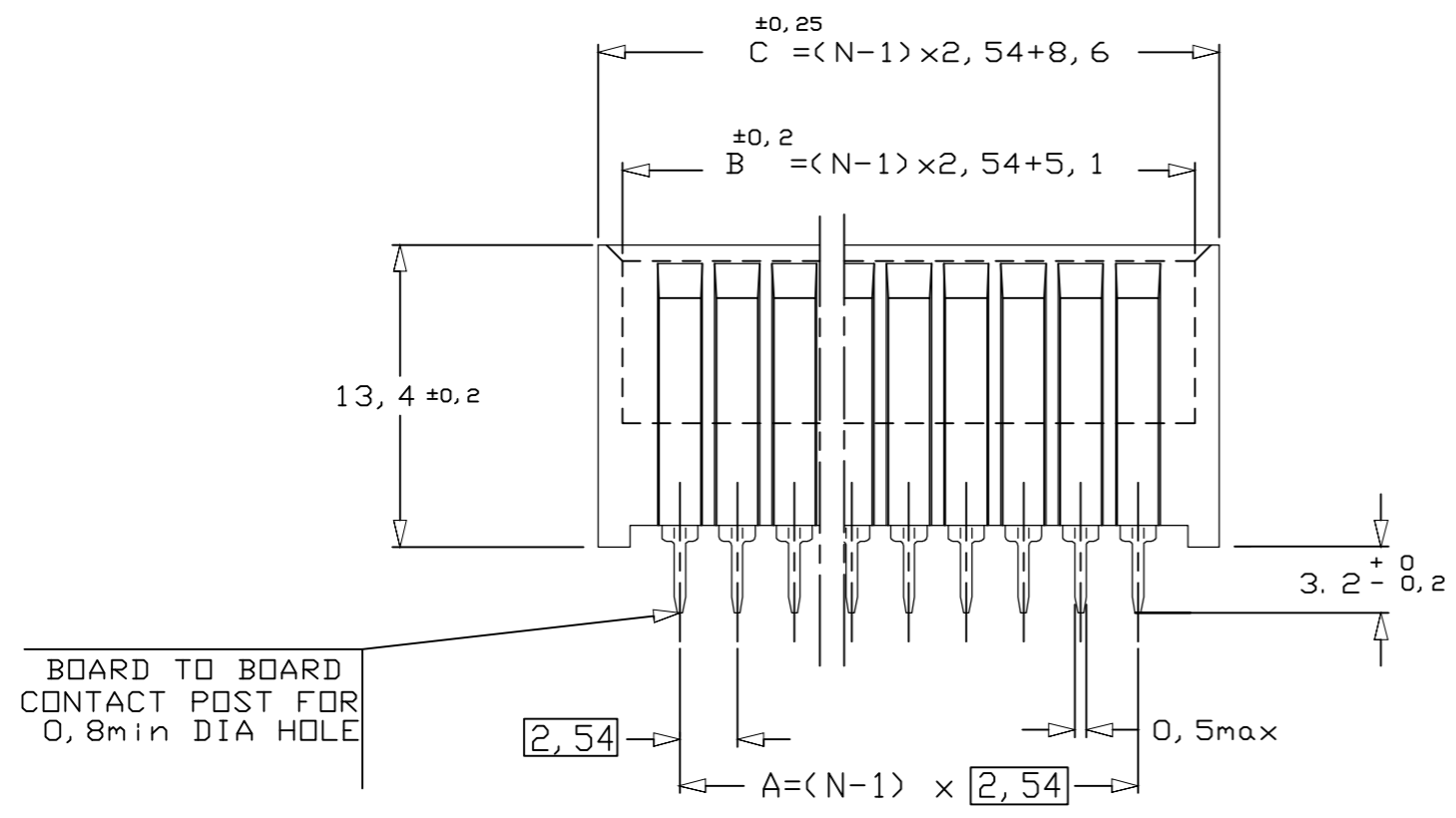
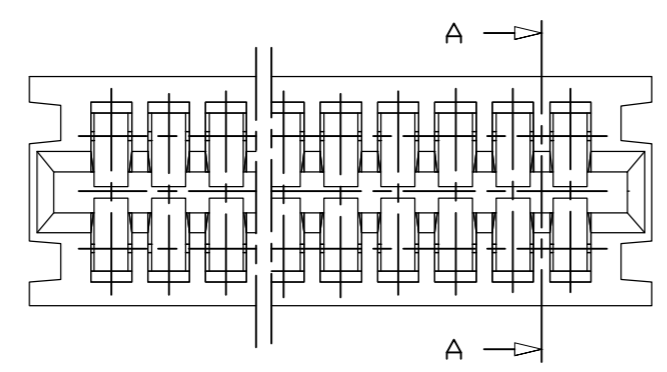


- NOTES:**
- FOR TYCO P/N PLEASE SEE TABLE
 - FOR CALCULATING DIMENSIONS: TAKE NUMBER OF POSITIONS FOR EXAMPLE: 13 POSITIONS $C=(N-1) \times 2,54+8,6$
 - MATING CONTACT AREA LUBRICATED WITH LUBRICANT ELECTROLUBE 2X.
 - PRODUCT SPECIFICATION 108-19041
 - PACKAGING: ON PLASTIC TUBES, BOXED



POS.	DIM "A"	DIM "B"	DIM "C"	TYCO P/N
13	30.48	35.58	39.08	1-166774-3
12	27.94	33.04	36.54	1-166774-2
10	22.86	27.96	31.46	1-166774-0
6	12.70	17.80	21.30	166774-6

CONTACT: 3,0µm MIN TIN PLATED ON ENTIRE CONTACT, OVER 1,25µm MIN NICKEL PLATED UNDERLAYER	HOUSING: THERMOPLASTIC POLYESTER 20% GF, UL94-V0 COLOUR GREEN CONT. : PH. BRONZE H06	166774-... (SEE TABLE)
FINITURA / COLORE (FINISH / COLOUR)	MATERIALE (MATERIAL)	NUMERO (PART NUMBER)

CUSTOMER DWG. FOR REFERENCE ONLY

DISEGNO PER CLIENTE SOLD PER RIFERIMENTO

THIS DRAWING IS UNPUBLISHED RELEASE FOR PUBLICATION 19

© COPYRIGHT 19 BY AMP INCORPORATED, HARRISBURG, PA. ALL INTERNATIONAL RIGHT RESERVED. AMP PRODUCTS MAY BE COVERED BY U.S. AND FOREIGN PATENT AND/OR PATENT PENDING

TOLLERANZE: SE NON DIVERSAMENTE SPECIFICATO
(TOLERANCES: UNLESS OTHERWISE SPECIFIED)

± 0,3

± 2°

J3 CORRECTED PLATING INFORMATION	D. C.	13SEP 2005	ANGOLI (ANGLES)	± 2°
J2 REVISED FOR ET00-0016-04	D. C.	09FEB 2004	DIS. (DR.)	D. CHIARELLI
J1 REVISED FOR ET00-0115-03	D. C.	24JUN 2003	CONTR. (CHK)	R. MARSEGLIA
J REVISED FOR ET00-0068-03	P. B.	9MAY 2003	APP. (APP.)	C. TARTARI
H REDRAWN FOR ET00-148-02	D. C.	17SEP 2002	DIS. DATA (DR) (DATE)	

tyco Electronics

AMP ITALIA S.p.A.
Corso F.lli Cervi, 15
COLLEGNO (TORINO)

DESCRIZIONE (DESCRIPTION) 6, 10, 12, 13 POS. AMP-EDGE CONN., DUAL LOADED WITH B. T. B. CONTACTS

LOC. SIZE NUMERO (DWG NO) I A3 C-166774 J3

REV. FOGLIO (SHEET) 1 DI 1

DISTRIBUZIONE (PRINT DIST.)

单击下面可查看定价，库存，交付和生命周期等信息

[>>TE Connectivity\(泰科\)](#)