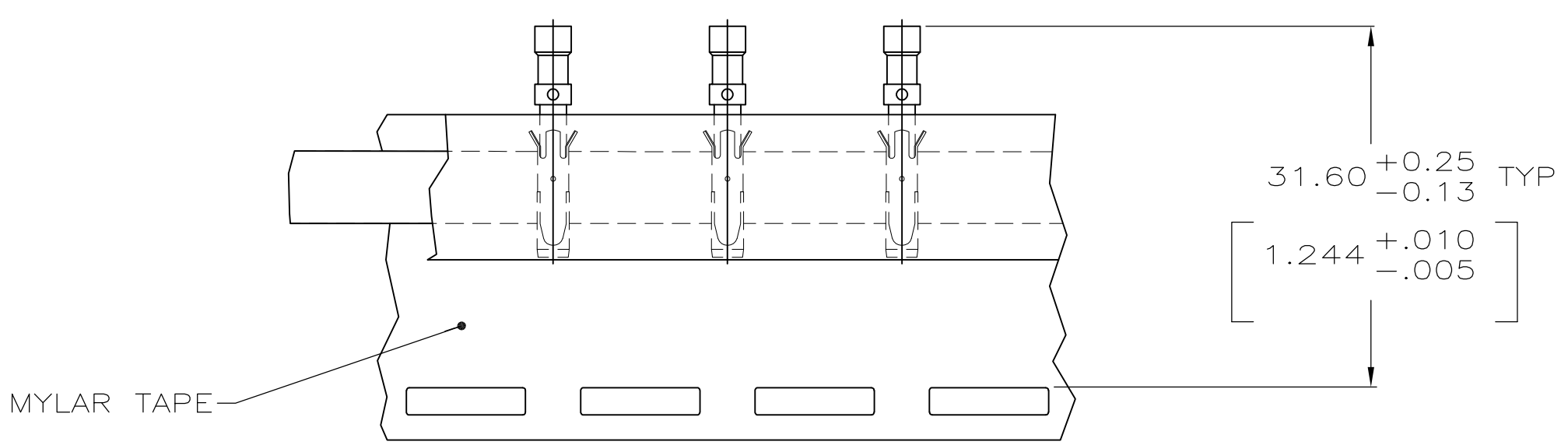
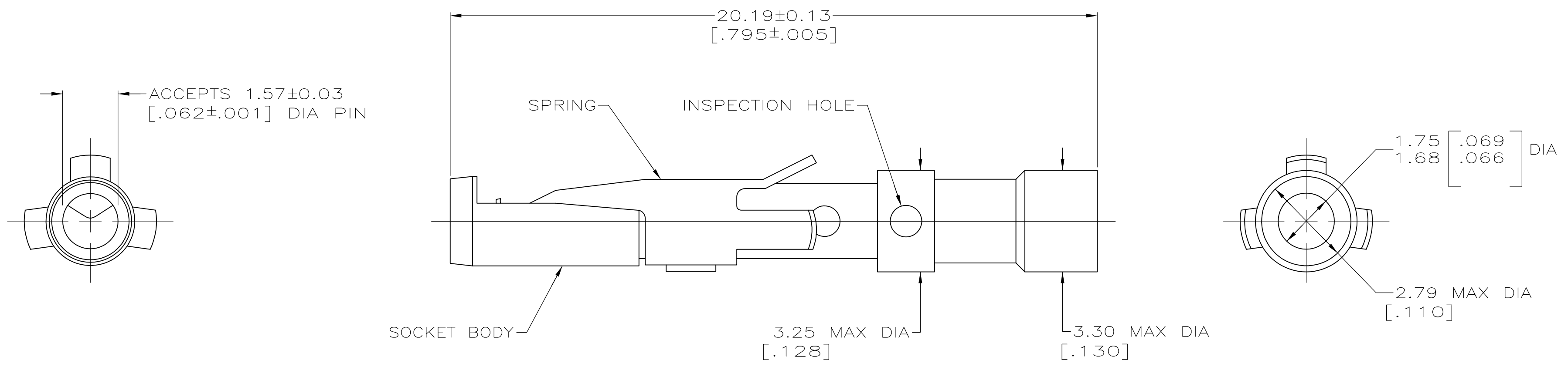


REVISIONS		DATE	APPD
ZONE	LTR	DESCRIPTION	
E		ADDED -3 PER NPR 4680 AND REDRAWN ON CAD	04/07/93
E1		REVISED PER ECO-09-020935	09SEP09



TAPE MTG DETAIL  
SCALE 2:1

- △ 0.76µm [.000030] MIN GOLD OVER 1.27µm [.000050] MIN NICKEL.
- 2. PLATING THICKNESS TO BE MEASURED ON SURFACES ACCESSIBLE WITH 0.64 [.025] DIA SPHERE.
- △ 3 WHEN ORDERING CONTACT ASSEMBLY ON TAPE, ORDER BY THE TAPE NUMBER PLUS THE PACKAGING CODE AS FOLLOWS:
  - 1. FOR USE WITH AMP TAPETRONIC, PNEUMATIC TOOL-
    - A. 1000 PARTS TO A BOX ADD PACKAGING CODE: 1MBOX
  - 2. FOR USE WITH 4/8 INDENT STRIPPER CRIMPER-
    - A. 1000 PARTS TO A REEL ADD PACKAGING CODE: 1MREEL
    - B. 5000 PARTS TO A REEL ADD PACKAGING CODE: 5MREEL
- △ 4 OBSOLETE PARTS: OBSOLETE CIS STREAMLINING PER D.RENAUD/D.SINISI

△ 4 OBSOLETE	SMALL PACK	202508-3
△ 4 OBSOLETE	TAPE MTG (SEE DETAIL) △ 3	202508-2
	STANDARD	202508-1

DO NOT SCALE PRINT. UNLESS SPECIFIED DIMENSIONS IN mm [INCHES] TOLERANCES ON:		DR 04/07/93 D.GELTZ		AMP Incorporated Harrisburg, PA 17105-3608
2 PLC DEC ± -		CHK 4-26-93 R.STONE		
3 PLC DEC ± -		APPD 4-29-93 R.S.KLINE		NAME
ANGLES ± -		APPD -		CONTACT ASSEMBLY, SOCKET, #16, 16-18 AWG, TYPE II
MATERIAL		PRODUCT SPEC -		
SOCKET BODY: COPPER ALLOY		APPLICATION SPEC -		SIZE
SPRING: STAINLESS STEEL		FINISH		CAGE CODE
SOCKET BODY: △ 4		WEIGHT -		C= 00779
				DRAWING NO
				C= 202508
				SCALE 10:1
				SHEET 1 OF 1

THIS DRAWING IS A CONTROLLED DOCUMENT FOR AMP INCORPORATED. IT IS SUBJECT TO CHANGE AND THE CONTROLLING ENGINEERING ORGANIZATION SHOULD BE CONTACTED FOR THE LATEST REVISION.

单击下面可查看定价，库存，交付和生命周期等信息

[>>TE Connectivity\(泰科\)](#)