

THIS DRAWING IS UNPUBLISHED.

RELEASED FOR PUBLICATION

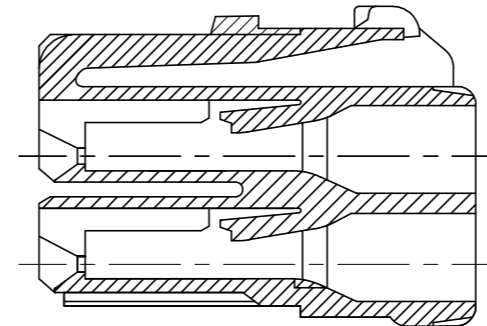
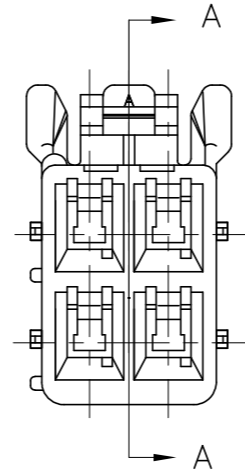
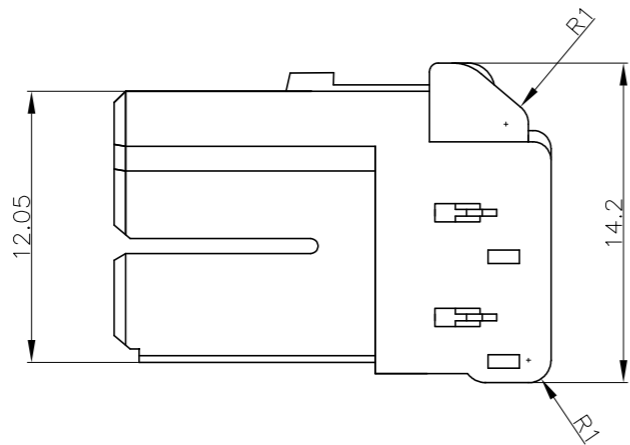
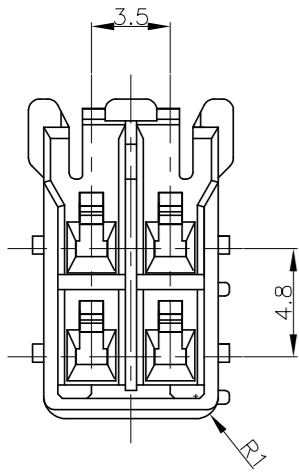
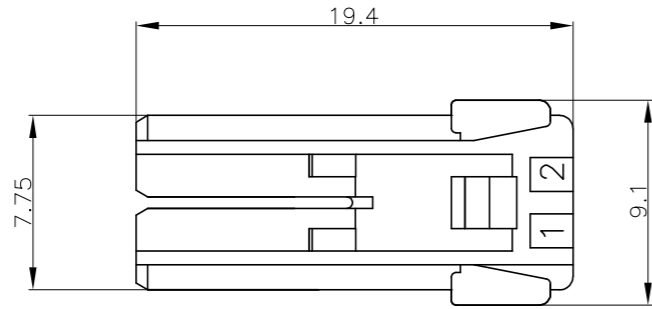
ALL RIGHTS RESERVED.

© COPYRIGHT - TE Connectivity Ltd.

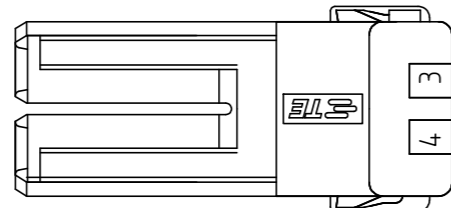
REVISIONS

変更

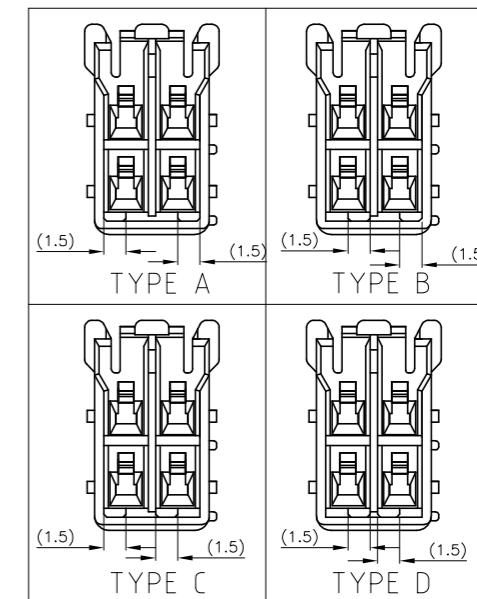
P	LTR	DESCRIPTION	DATE	DWN	APVD
	A1	REVISED PER ECR-19-006211	17APR2019	SC	D.Z



SECT A-A



KEYING TYPE



注) 1.一般公差:±0.25

2.材料:66ナイロン ガラス無(UL94V-0)

3.かん合相手製品型番

キャップハウジング:TABLE?照のこと

リセコンタクト:1565079-1,1612334-1

4.適?プレ?ト型番:1565089-1

NOTES)

1.GENERAL TOLERANCE:±0.25

2.MATERIAL:66 NYLON NON-GLOSS FILLED (UL94V-0)

3.MATING CONN. P/N

CAP HOUSING:SEE TABLE

REC CONTACT ;1565079-1,1612334-1

4. APPLICABLE PLATE P/N :1565089-1

3-1565087-4	D	YELLOW	3-1565083-4
2-1565087-3	C	BLUE	2-1565083-3
1-1565087-2	B	RED	1-1565083-2
1565087-1	A	NATURAL	1565083-1
MATING HSG P/N	KEYING TYPE	COLOR	P/N

THIS DRAWING IS A CONTROLLED DOCUMENT.		DWN	30 MAY. '02		 TE Connectivity Ltd.
		CHK	30 MAY. '02		
		APVD	30 MAY. '02		
		NAME	M.SHINDO		
DIMENSIONS: 単位: 耗 mm		TOLERANCES UNLESS OTHERWISE SPECIFIED: 一般公差		NAME 名称	
		0 PLC ± - 1 PLC ± - 2 PLC ± - 3 PLC ± - 4 PLC ± - ANGLES ± -		PRODUCT SPEC 製品規格 108-5810 APPLICATION SPEC 取付適用規格 114-5306	
MATERIAL 材料 SEE NOTE 2		FINISH 仕上 -		GRACE INERTIA CONNECTOR 3.5 4POS PLUG HOUSING グレイス?イナーシャ?コネクタ 3.5 4極 プラグハウジ	
		WEIGHT -		SIZE A3 CAGE CODE 00779 DRAWING NO 番号 C=1565083 RESTRICTED TO -	
CUSTOMER DRAWING				SCALE 尺度	SHEET 1 OF 1
				REV A1	

单击下面可查看定价，库存，交付和生命周期等信息

[>>TE Connectivity\(泰科\)](#)