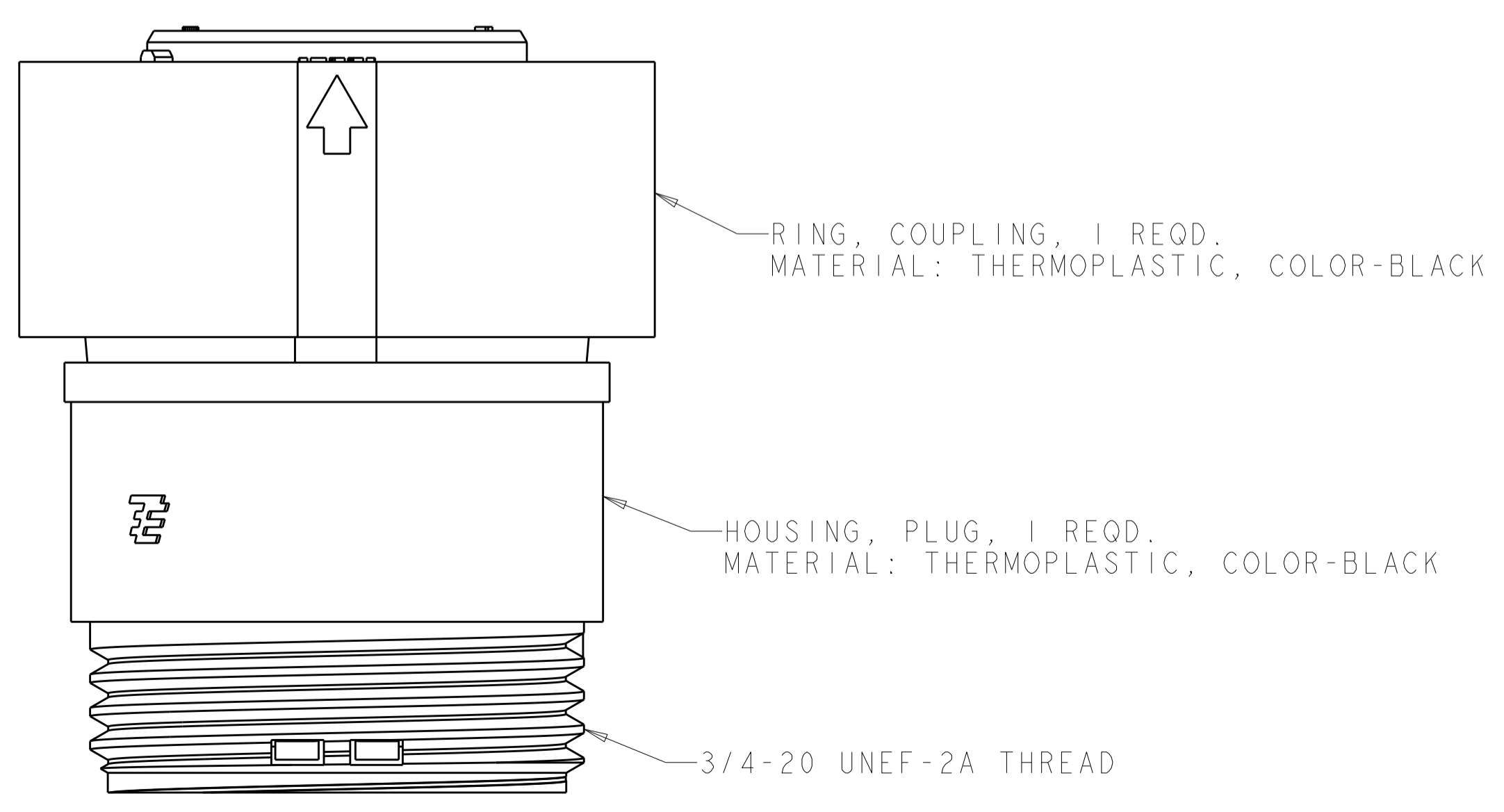
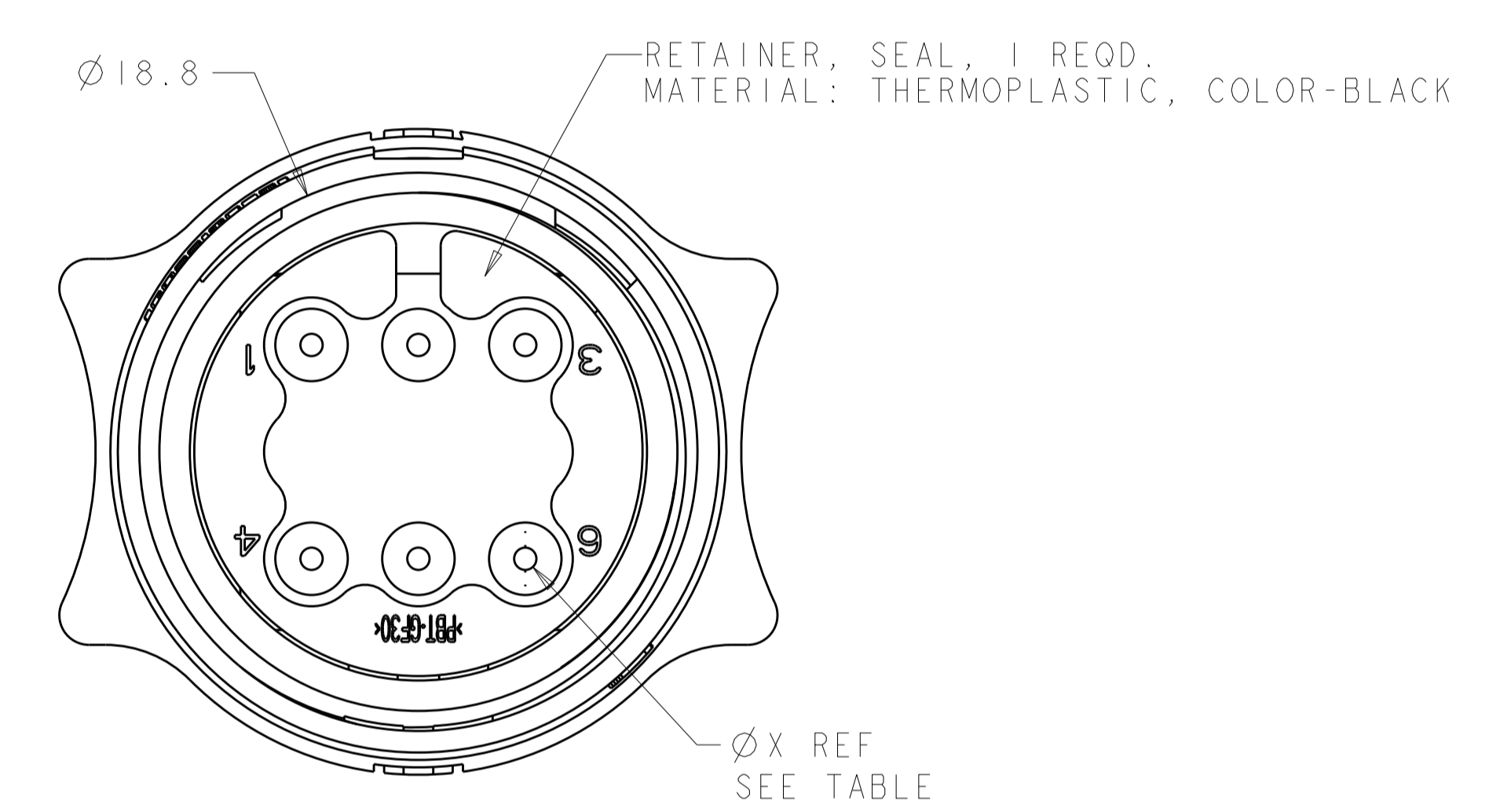
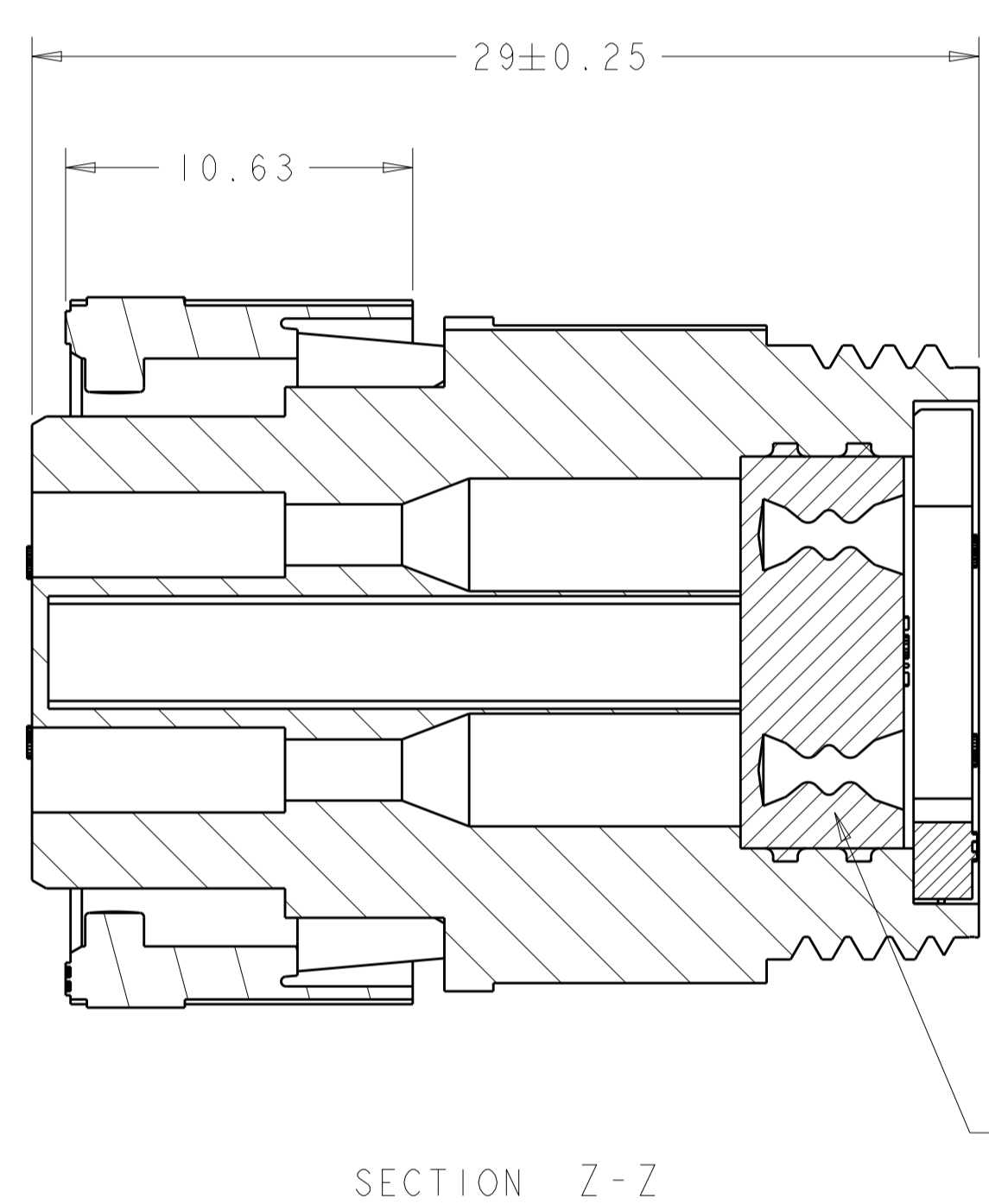
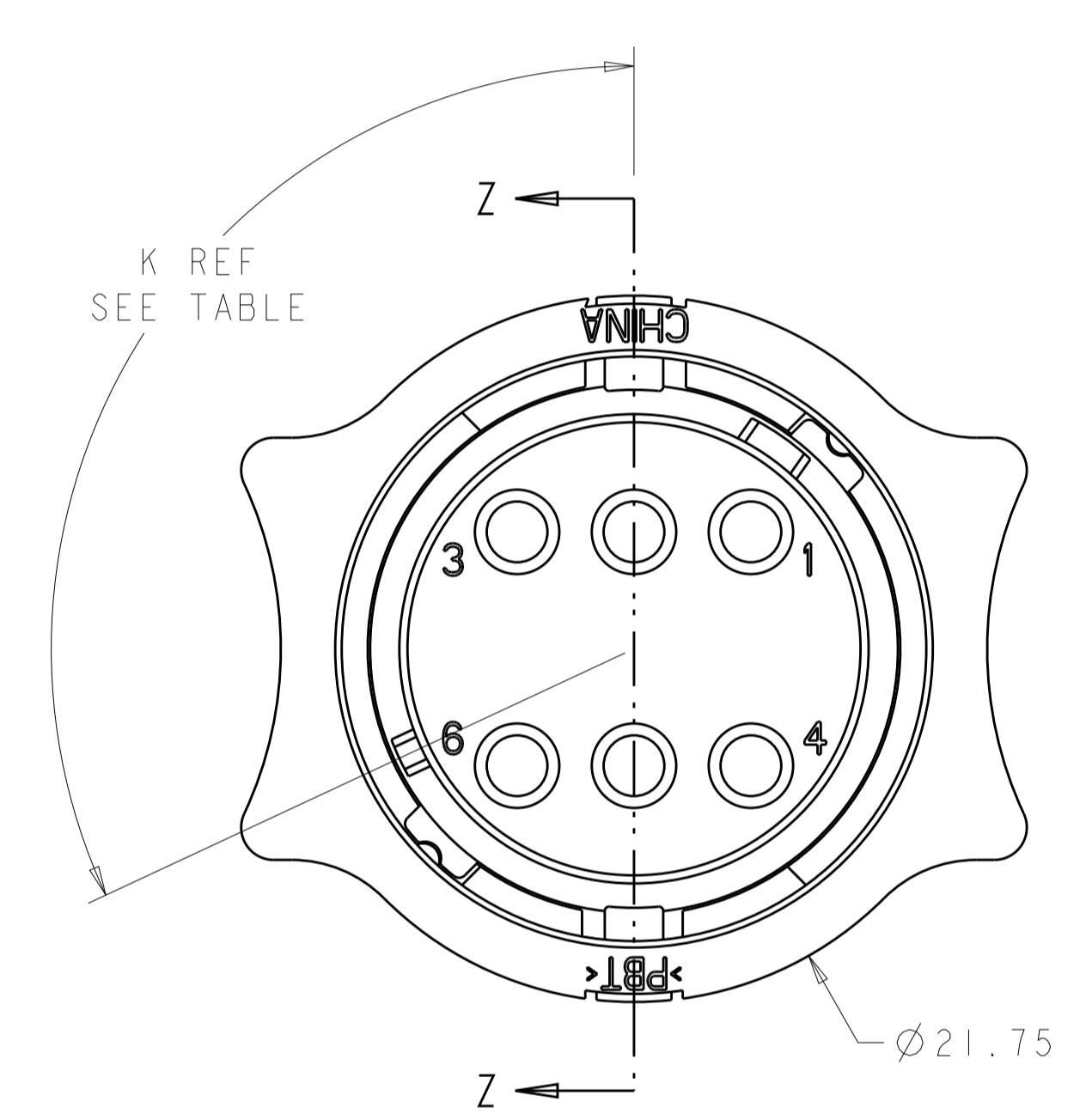
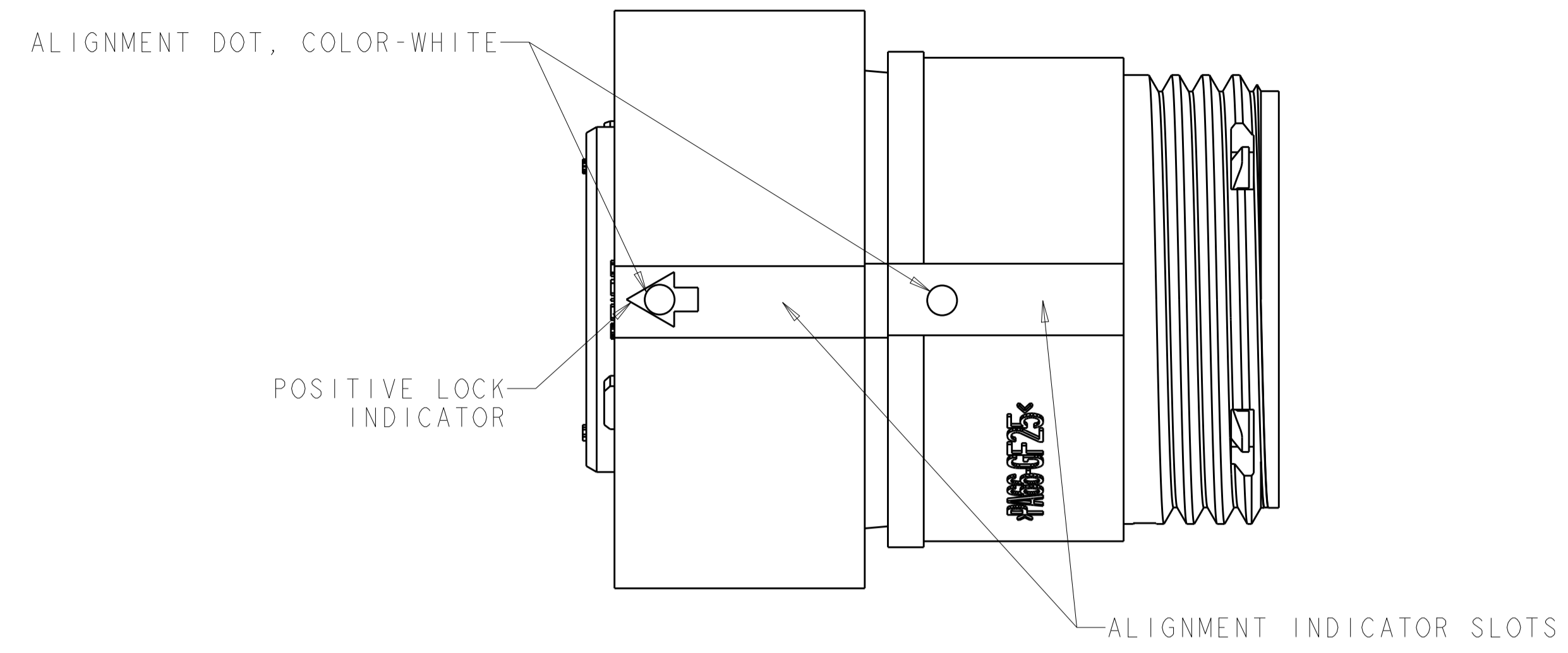


REVISIONS				
P.	LTN	DESCRIPTION	DATE	APVD
C2		REVISED PER ECO-15-010004	13JUL2015	NK MZ
D		REVISED PER ECO-16-018352	25MAR2017	RS MZ



OBSELETE	YELLOW	Ø 0.75	135°	1445819-4
	NATURAL	Ø 1.5	115°	1445819-3
OBSELETE	NATURAL	Ø 1.5	135°	1445819-2
	YELLOW	Ø 0.75	115°	1445819-1
	SEAL, WIRE ENTRY COLOR	Ø X REF	K REF	PART NUMBER

THIS DRAWING IS A CONTROLLED DOCUMENT.

DRN: SHANE WIESE 16OCT2001  
 CHK: G DOUTY 16OCT2001  
 APVD: H. WAKEEM 13JUN2003

**STE** TE Connectivity

NAME: ASSEMBLY, PLUG, SIZE 11, 6 POSITION, SEALED, MINI CPC

SIZE: A1 CAGE CODE: 100779 DRAWING NO: 1445819

MATERIAL: SEE CALLOUT  
 FINISH: -  
 WEIGHT: -  
 CUSTOMER DRAWING

SCALE: 5:1 SHEET 1 OF 1 REV D

单击下面可查看定价，库存，交付和生命周期等信息

[>>TE Connectivity\(泰科\)](#)