

4

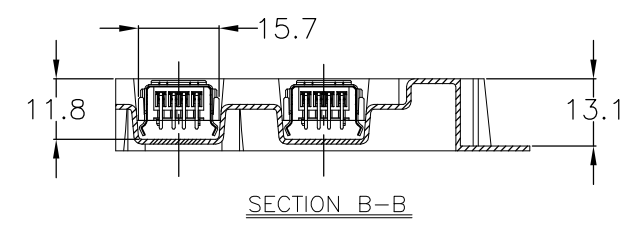
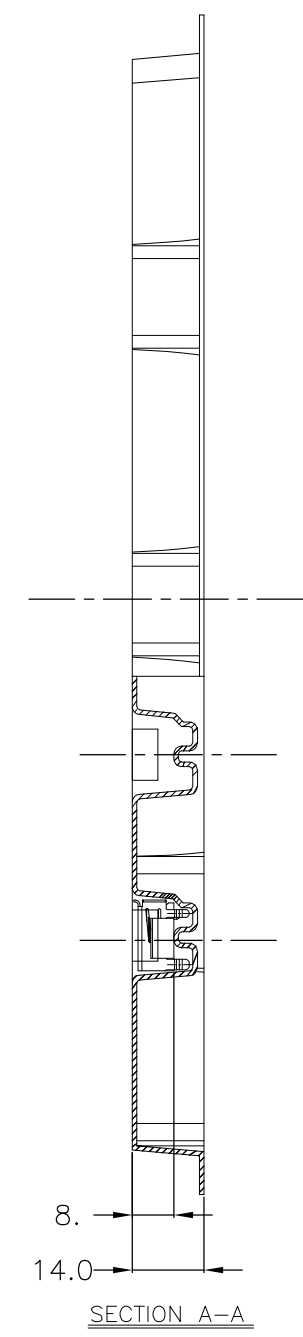
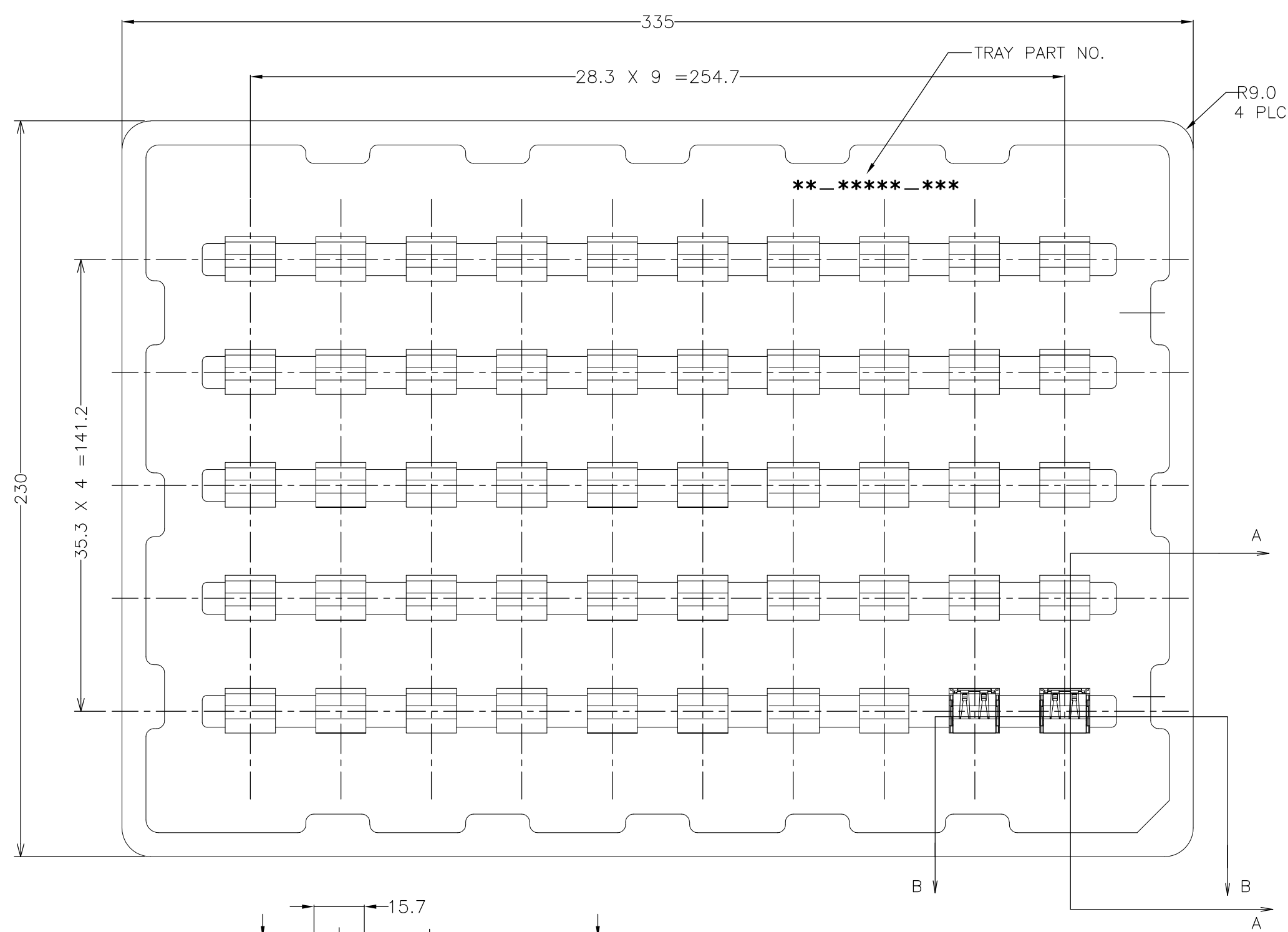
3

2

1

THIS DRAWING IS UNPUBLISHED. RELEASED FOR PUBLICATION
 © COPYRIGHT - BY TYCO ELECTRONICS CORPORATION. ALL RIGHTS RESERVED.

LOC	DIST	REVISIONS					
ES	-	P	LTR	DESCRIPTION	DATE	DWN	APVD
			B1	REVISED PER ECR-19-001024	29JAN19	T.Z	S.L



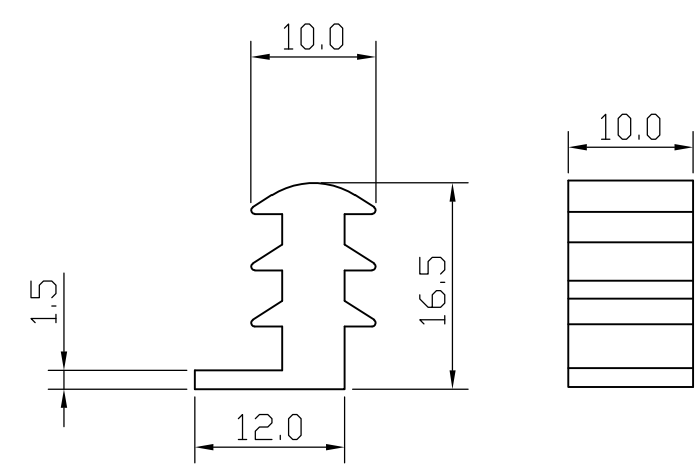
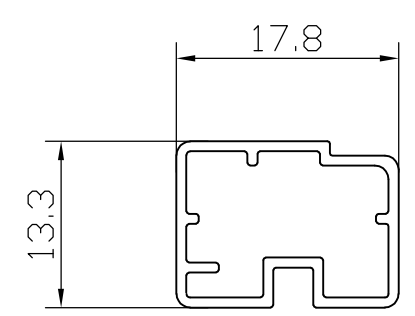
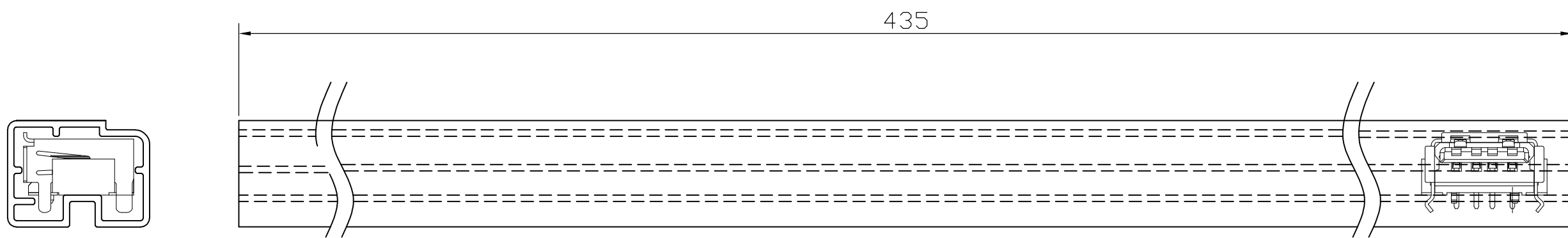
PART NUMBER	STATUS
1674459-4	PRELIMINARY

THIS DRAWING IS A CONTROLLED DOCUMENT.

DWN	AMOS ZHU	28NOV08	 Tyco Electronics Corporation Shanghai, P.R.China, 200233				
CHK	MARTIN LI	28NOV08					
APVD	STEVEN YAO	28NOV08					
NAME	TRAY REC. ASS'Y R/A DIP HIGH DURABILITY TYPE USB CONNECTOR						
PRODUCT SPEC	108-60053		SIZE	CAGE CODE	DRAWING NO	RESTRICTED TO	
APPLICATION SPEC	-		A3	00779	C-1674459		
WEIGHT	-		CUSTOMER DRAWING		SCALE	SHEET	REV
					1:1	1 OF 3	B1

THIS DRAWING IS UNPUBLISHED. RELEASED FOR PUBLICATION
 © COPYRIGHT - BY TYCO ELECTRONICS CORPORATION. ALL RIGHTS RESERVED.

LOC	DIST	REVISIONS					
ES	-	P	LTR	DESCRIPTION	DATE	DWN	APVD
				SEE SHEET 1	-	-	-



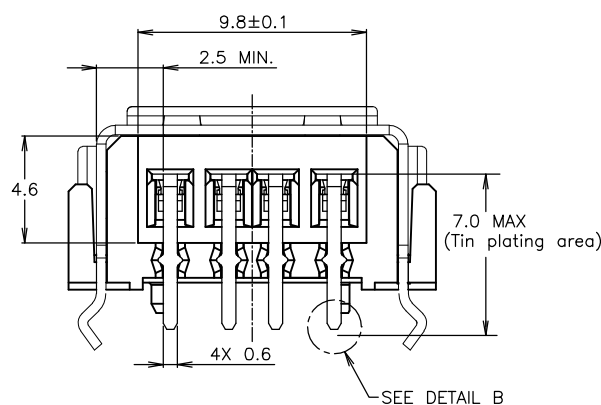
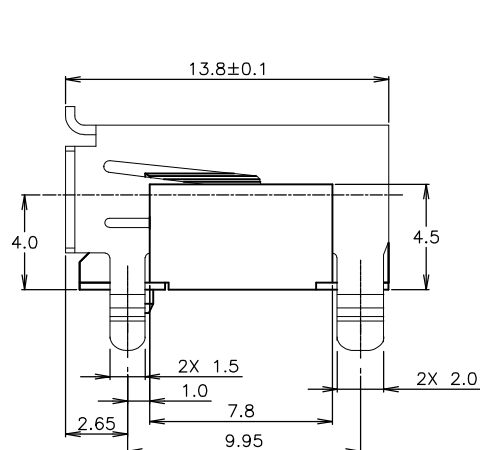
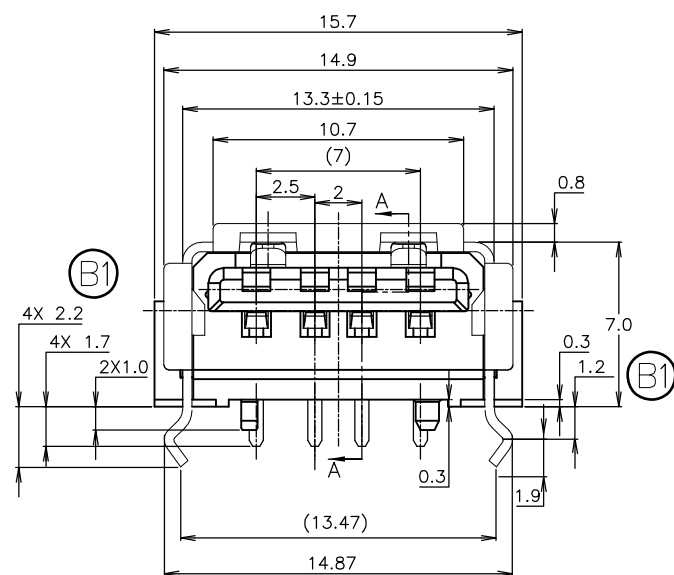
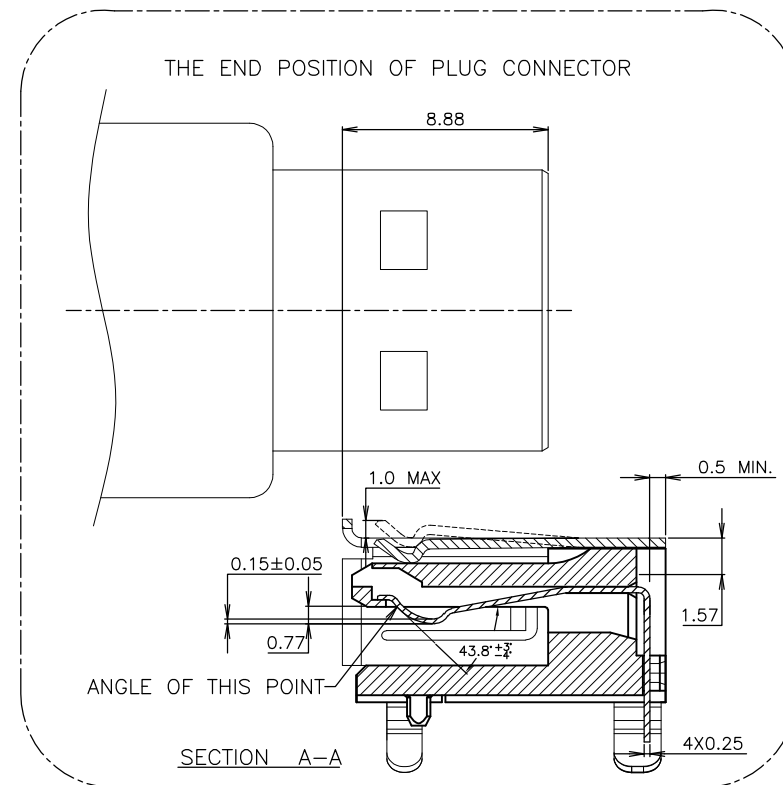
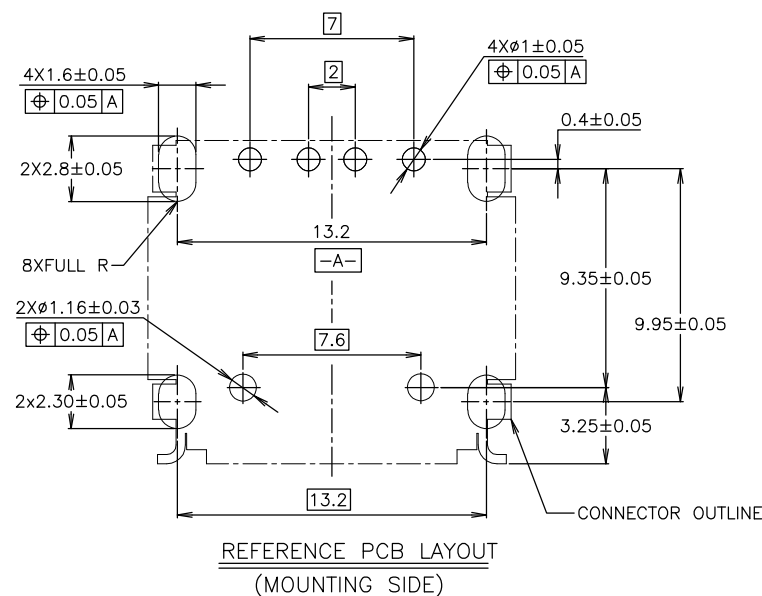
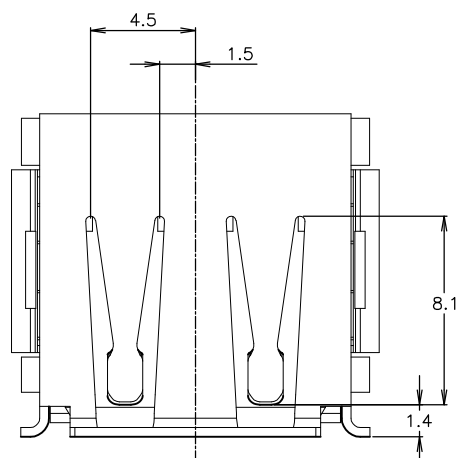
PART NUMBER	STATUS
2-1674459-4	PRELIMINARY

THIS DRAWING IS A CONTROLLED DOCUMENT.		DWN	AMOS ZHU	28NOV08	 Tyco Electronics Corporation Shanghai, P.R.China, 200233				
DIMENSIONS: mm		CHK	MARTIN LI	28NOV08					
TOLERANCES UNLESS OTHERWISE SPECIFIED:		APVD	STEVEN YAO	28NOV08					
0 PLC ± 1.0 1 PLC ± 1.0 2 PLC ± - 3 PLC ± - 4 PLC ± - ANGLES ± 2°		PRODUCT SPEC		NAME					
MATERIAL		APPLICATION SPEC		TRAY REC. ASS'Y R/A DIP HIGH DURABILITY TYPE USB CONNECTOR					
FINISH		WEIGHT		SIZE	CAGE CODE	DRAWING NO	RESTRICTED TO		
		-		A3	00779	G-1674459			
CUSTOMER DRAWING				SCALE	1:1	SHEET	2 OF 3	REV	B1

THIS DRAWING IS UNPUBLISHED. RELEASED FOR PUBLICATION

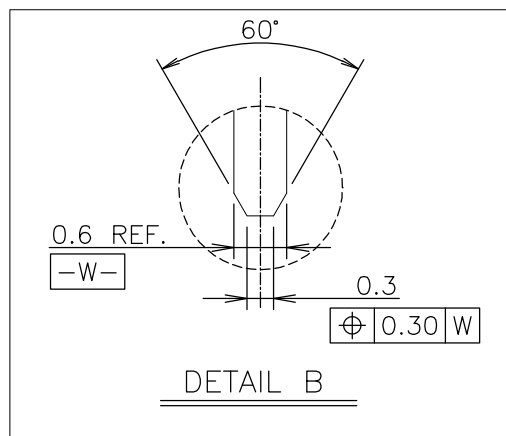
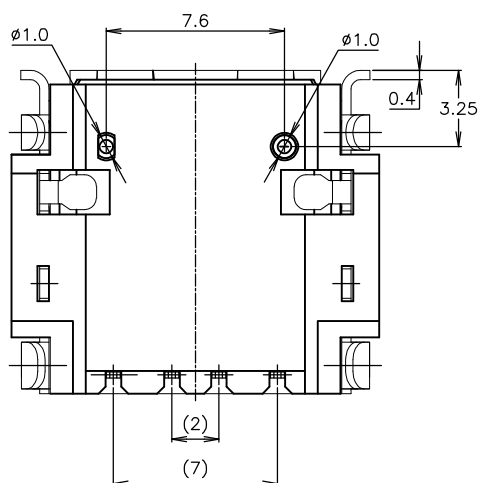
© COPYRIGHT BY TYCO ELECTRONICS CORPORATION. ALL RIGHTS RESERVED.

LOC	DIST	REVISIONS			
P	LTR	DESCRIPTION	DATE	DWN	APVD
ES	—	SEE SHEET 1	—	—	—



NOTES

- ① MATERIAL & FINISH
CONTACT: COPPER ALLOY
Au PL. AT CONTACT AREA OVER Ni PL.
TIN PL. AT TINE AREA OVER Ni PL.
HOUSING: LCP, UL94V-0.
COLOR: NATURAL
- ② SHELL: STAINLESS STEEL, TIN PL
- 2. RECOMMENDED P.C.B THICKNESS 1.00±0.05 mm.



THIS DRAWING IS A CONTROLLED DOCUMENT.

DIMENSIONS: mm TOLERANCES UNLESS OTHERWISE SPECIFIED:

0 PLC	± 0.30
1 PLC	± 0.30
2 PLC	± -
3 PLC	± -
4 PLC	± -
ANGLES	± 2°

MATERIAL

FINISH

DWN AMOS ZHU 28NOV08

CHK MARTIN LI 28NOV08

APVD STEVEN YAO 28NOV08

PRODUCT SPEC

108-60053

APPLICATION SPEC

WEIGHT -

CUSTOMER DRAWING



Tyco Electronics Corporation
Shanghai, P.R.China, 200233

NAME

TRAY REC. ASS'Y R/A DIP
HIGH DURABILITY TYPE USB CONNECTOR

SIZE

CAGE CODE

DRAWING NO

RESTRICTED TO

A3

00779

C-1674459

SCALE 1:1

SHEET 3 OF 3

REV B1

单击下面可查看定价，库存，交付和生命周期等信息

[>>TE Connectivity\(泰科\)](#)