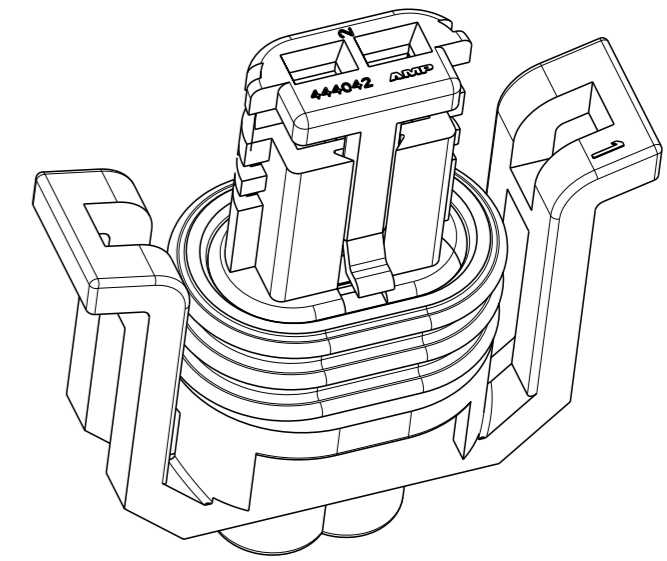
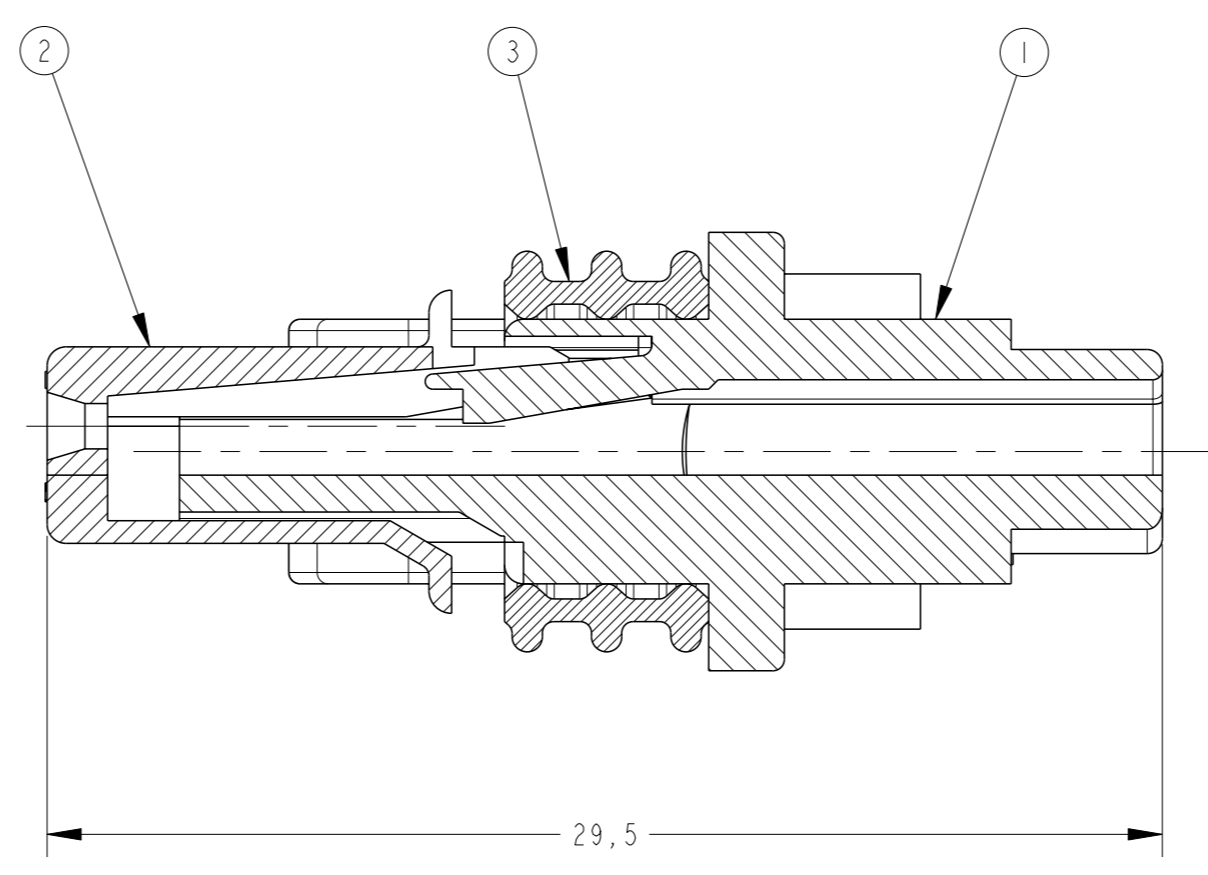
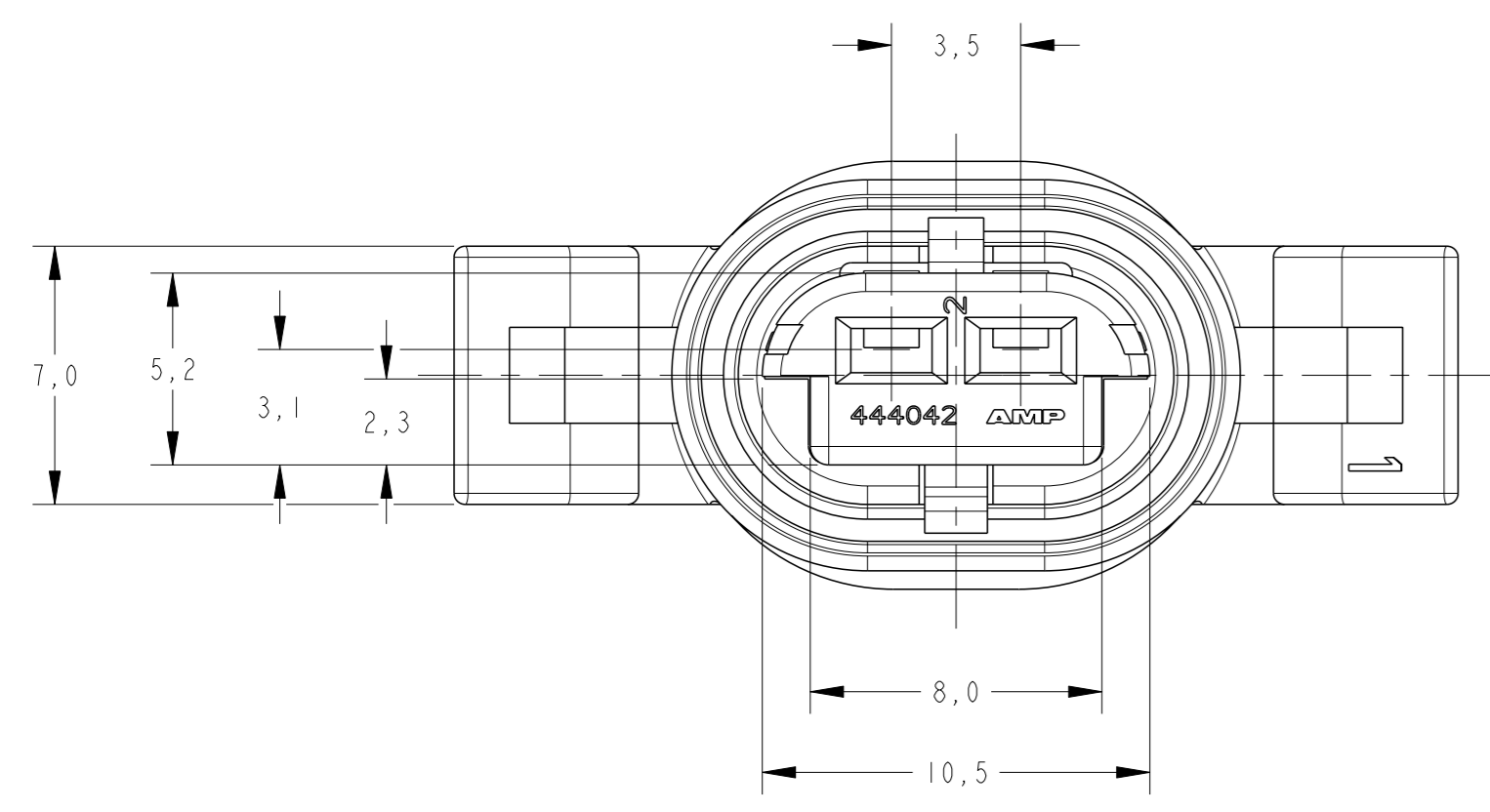
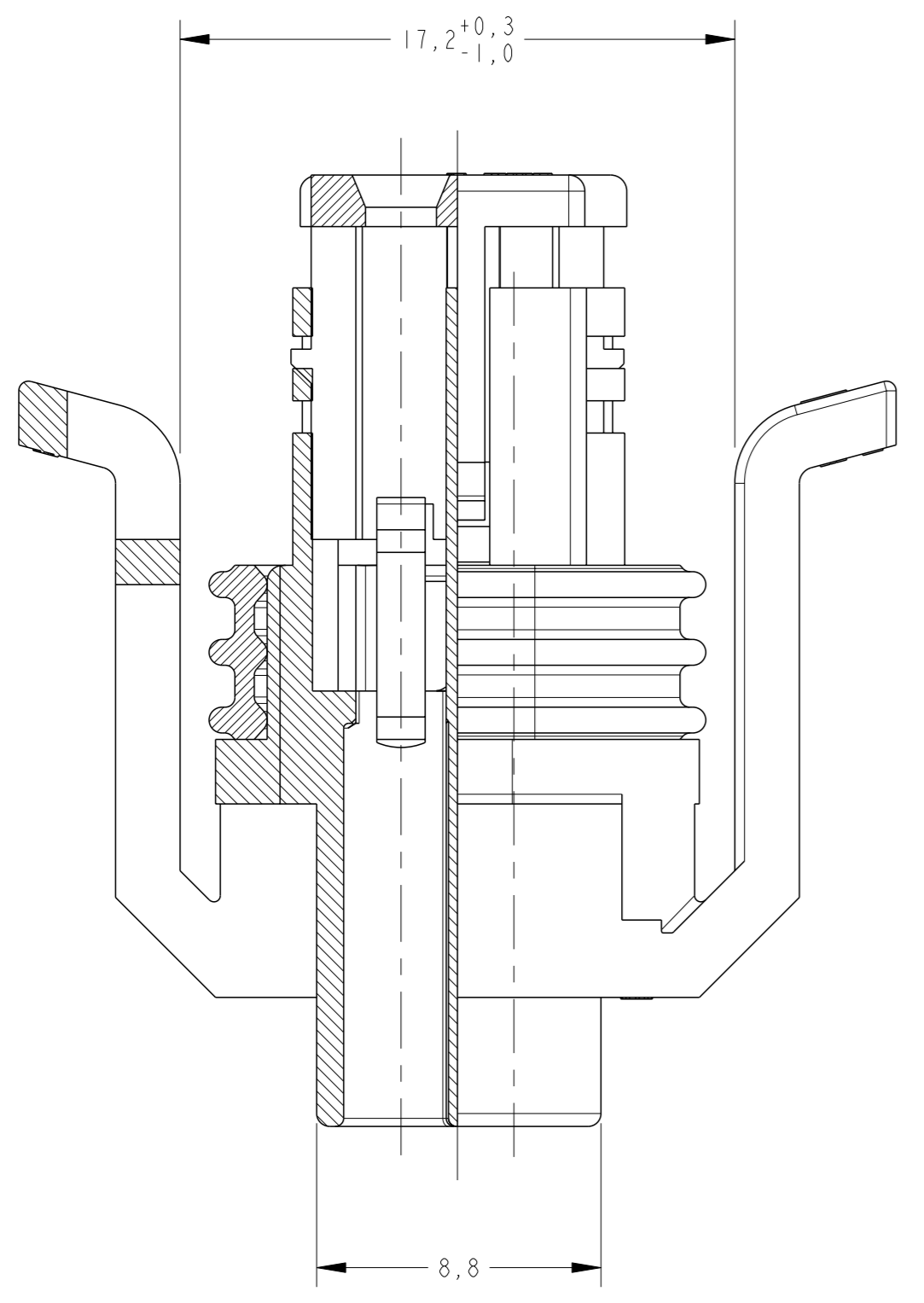


REVISIONS				
#	LT#	DESCRIPTION	DATE	OWN APVD
F		REDRAW BY CAD ECO-15-009694	14JUL2015	NCL DAO
F1		REVISED BY ECN-21-108212	05JUL2021	LAA GB



PERSPECTIVE VIEW
SCALE 3:1

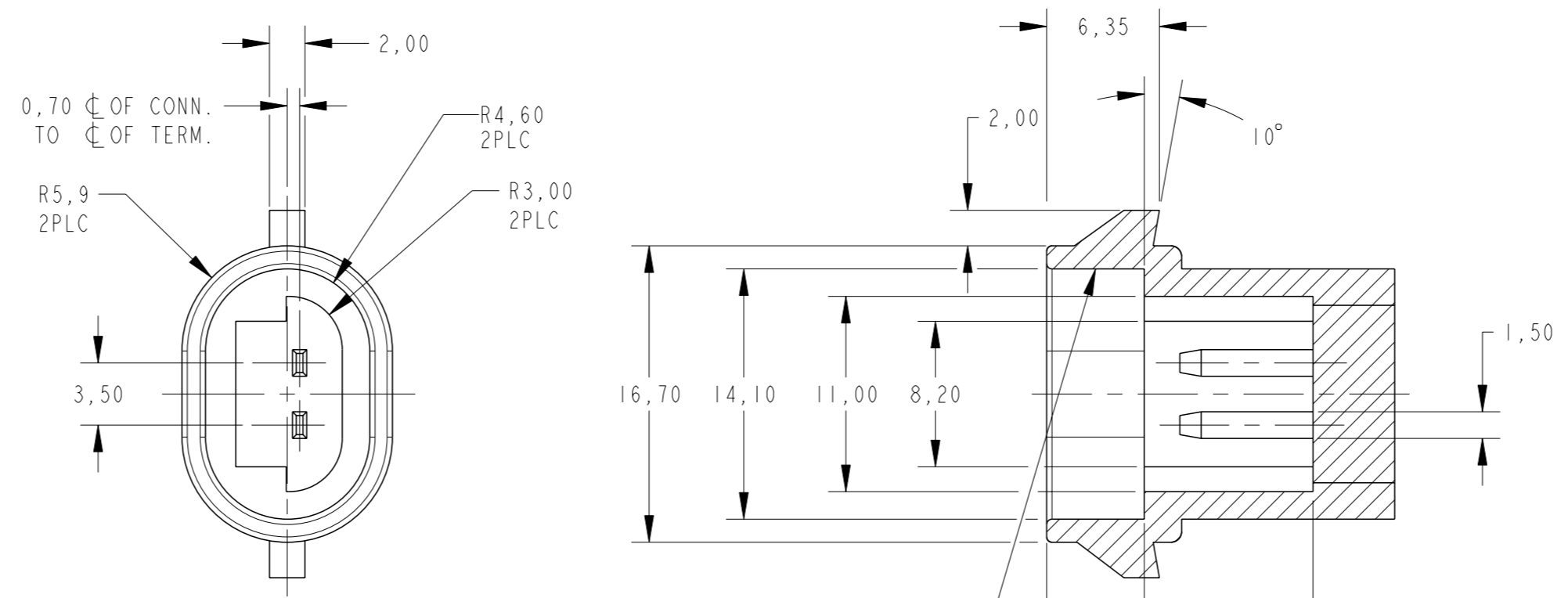
SECTION A-A



SECTION B-B

INFORMAÇÕES DA CONTRA-PEÇA

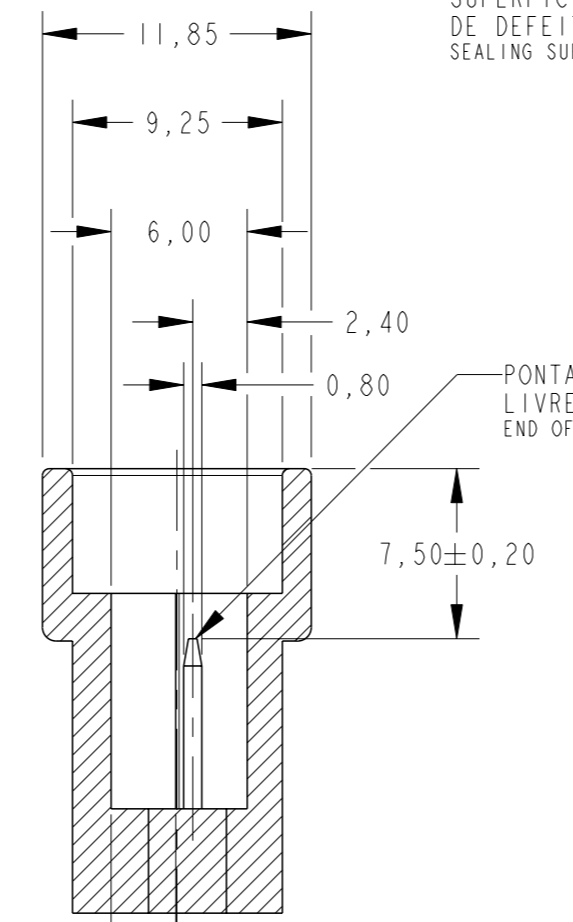
MATING CONNECTOR INFORMATION
SCALE 3:1



SUPERFÍCIE PARA O SELO DEVE SER LIVRE DE DEFEITOS.
SEALING SURFACES MUST BE FREE OF DEFECTS

PONTA DO TERMINAL DEVE SER LIVRE DE REBARBAS
END OF TERMINAL MUST BE FREE OF BURRS

SECTION A-A



SECTION B-B

TOLERÂNCIA NÃO ESPECIFICADA ±0,10
TOLERANCE NOT SPECIFIED

- 1 - AS TRAVAS DEVEM ESTAR NA POSIÇÃO COMO MOSTRADO
- THE LOCKS MUST BE IN SHOWN POSITION
- 2 - GRAVAÇÕES QUE DEVERÃO CONSTAR:
- MARCA REGISTRADA AMP, NÚMERO DA PEÇA E IDENTIFICAÇÃO DE CIRCUITO, NÚMERO DE CAVIDADE
- STAMP THAT MUST BE EVIDENT
- TRADEMARK AMP, PART NUMBER TE, CIRCUIT IDENTIFICATION, MANUFACTURER COUNTRY CODE, CAVITY IDENTIFICATION

REQ. PER ASSY	ITEM	DESCRIPTION	MATERIAL	FINISH
1	1	HOUSING, 2 POSN., MULTI-LOCK REC	PA 6.6	PRETO / BLACK
1	3	SEAL RING 2 POSN	FLUOR SILICONE	VERDE / GREEN
1	3	SEAL RING 2 POSN	FLUOR SILICONE	MARRON AVERMELHADO REDDISH BROWN
1	2	SPACER, 2 POSN., MULTI-LOCK REC	SILICONE	AMARELO / YELLOW
1	1	HOUSING, 2 POSN., MULTI-LOCK REC	PA 6.6	VERDE / GREEN
444040	-2-1	ITEM		

THIS DRAWING IS A CONTROLLED DOCUMENT.		OWN: NCLAPRESA 14JUL2015	TE Connectivity
DIMENSIONS: mm		CHK: FFORTUNATO 14JUL2015	
TOLERANCES UNLESS OTHERWISE SPECIFIED:		APVD: DAOLIVEIRA 14JUL2015	
0 PLC ± 1 PLC ±0,3 2 PLC ± 3 PLC ± 4 PLC ± ANGLES ±1° FINISH		NAME: HOUSING ASSY., 2 POSN., MULTI-LOCK RECEP PRODUCT SPEC: 108-37021 APPLICATION SPEC:	
MATERIAL: SEE TABLE	WEIGHT: -	SIZE: A1	RESTRICTED TO: -
Customer Drawing		SCALE: 4:1	SHEET: 1 OF 1

单击下面可查看定价，库存，交付和生命周期等信息

[>>TE Connectivity\(泰科\)](#)