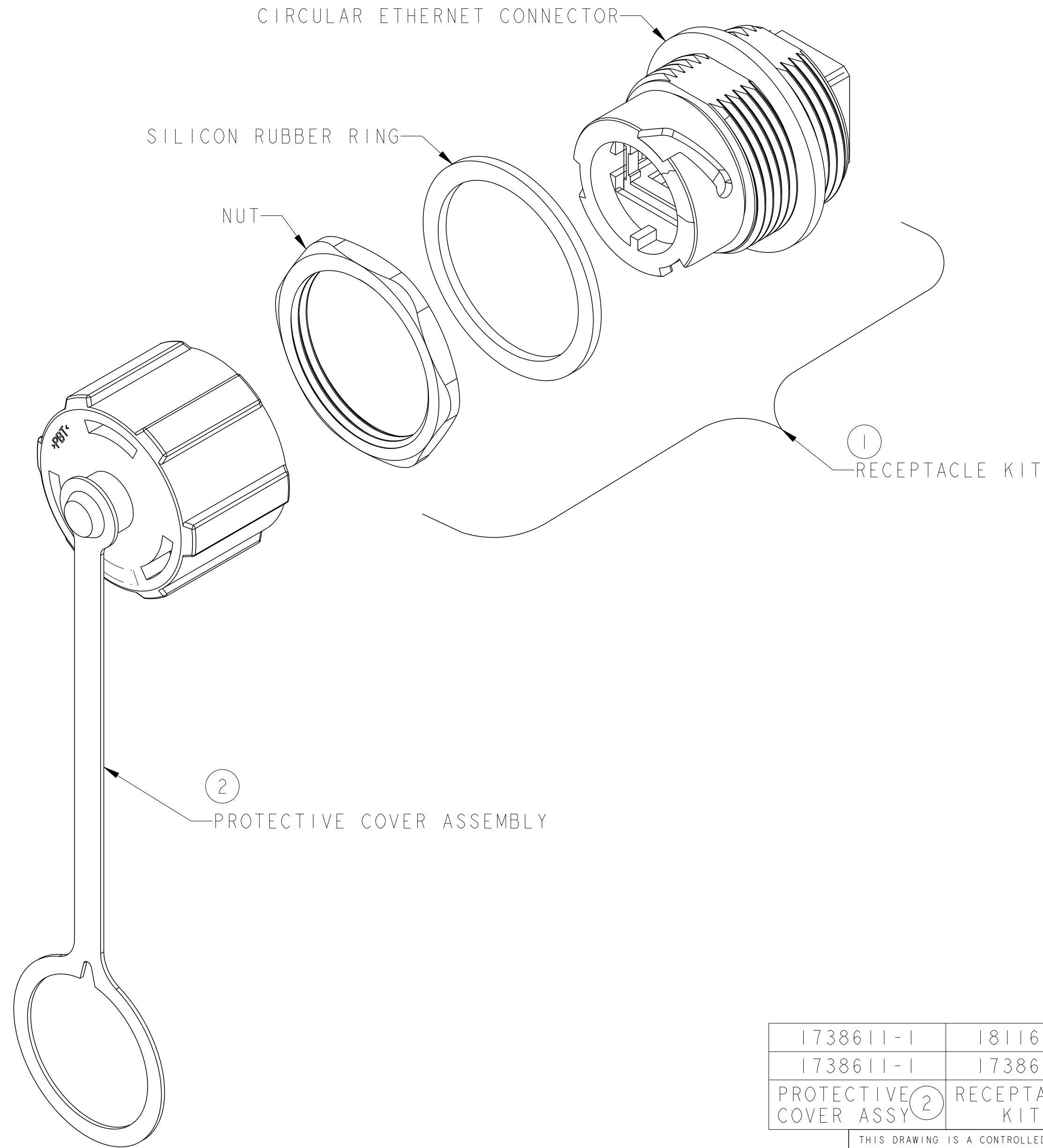


P	LTR	DESCRIPTION	DATE	DWN	APVD
B		REVISED PER ECO-09-008464	06APR2009	SS	MS
C		REV PER ECO-10-011440	07JUN2010	RG	SM
CI		PN 1986280-3 ADDED ECR-19-012995	23JUL2019	SS	DBJ
D		PN 1986280-3 REMOVED	02DEC2019	SS	JK



1738611-1	1811689-1	YES	0 TO +60°C	1986280-2
1738611-1	1738601-1	NO	-40 TO +85°C	1986280-1
PROTECTIVE COVER ASSY (2)	RECEPTACLE KIT (1)	SHIELDED COUPLER	OPERATING TEMP.	PART NUMBER

THIS DRAWING IS A CONTROLLED DOCUMENT.

DWN	S. WELDON	26SEP2007
CHK	M. STRECKEWALD	26SEP2007
APVD	M. STRECKEWALD	26SEP2007

STE TE Connectivity

NAME: RECEPTACLE KIT, WITH PROTECTIVE COVER, INDUSTRIAL CIRCULAR ETHERNET

SIZE	A2	CAGE CODE	00779	DRAWING NO	C-1986280	RESTRICTED TO
SCALE	2:1	SHEET	1	OF	1	REV
CUSTOMER DRAWING						D

DIMENSIONS:		TOLERANCES UNLESS OTHERWISE SPECIFIED:	
mm		0 PLC	±
		1 PLC	±0.5
		2 PLC	±0.13
		3 PLC	±0.013
		4 PLC	±0.0001
		ANGLES	±
MATERIAL		FINISH	
-		-	
-		-	

单击下面可查看定价，库存，交付和生命周期等信息

[>>TE Connectivity\(泰科\)](#)