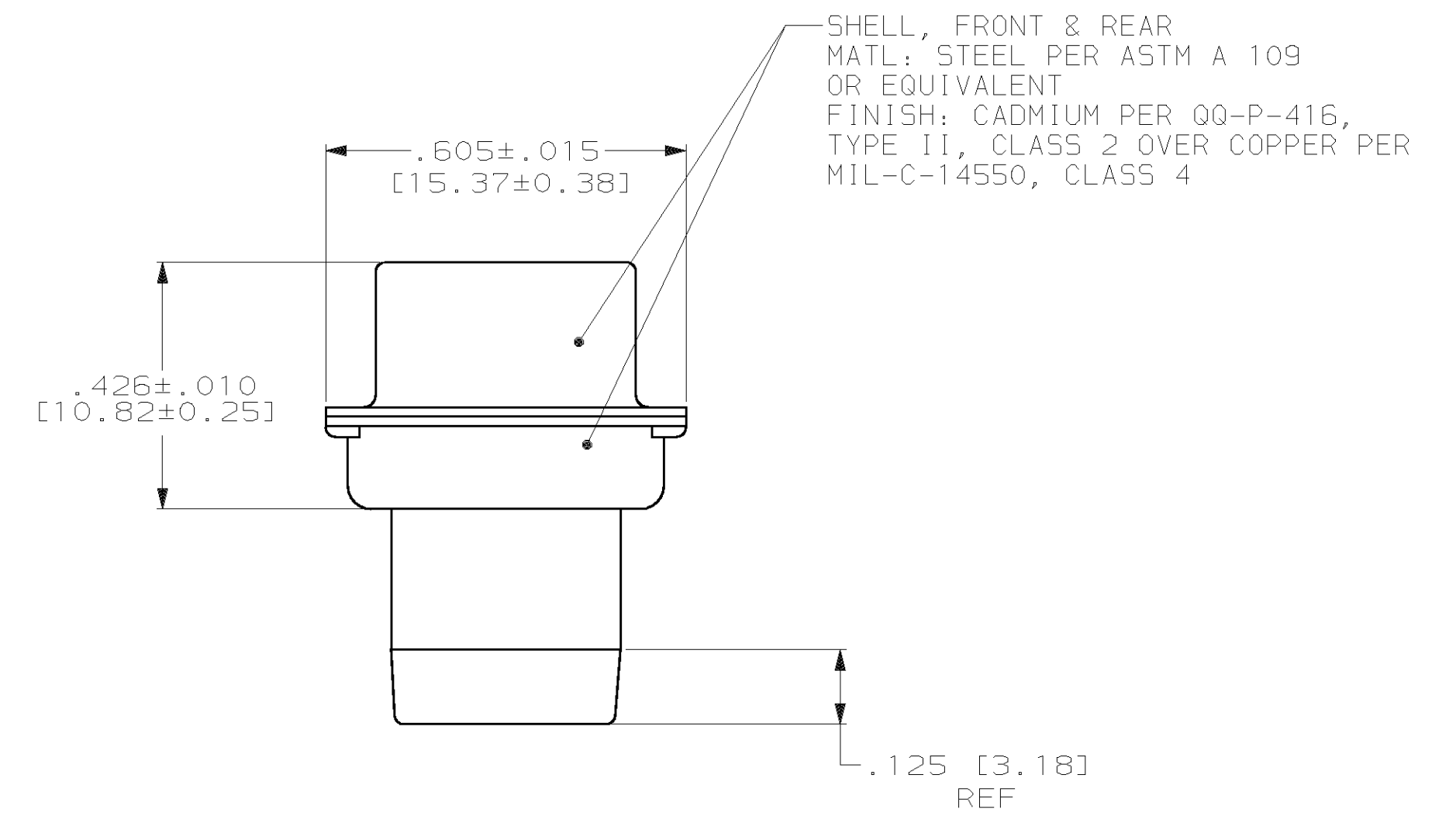
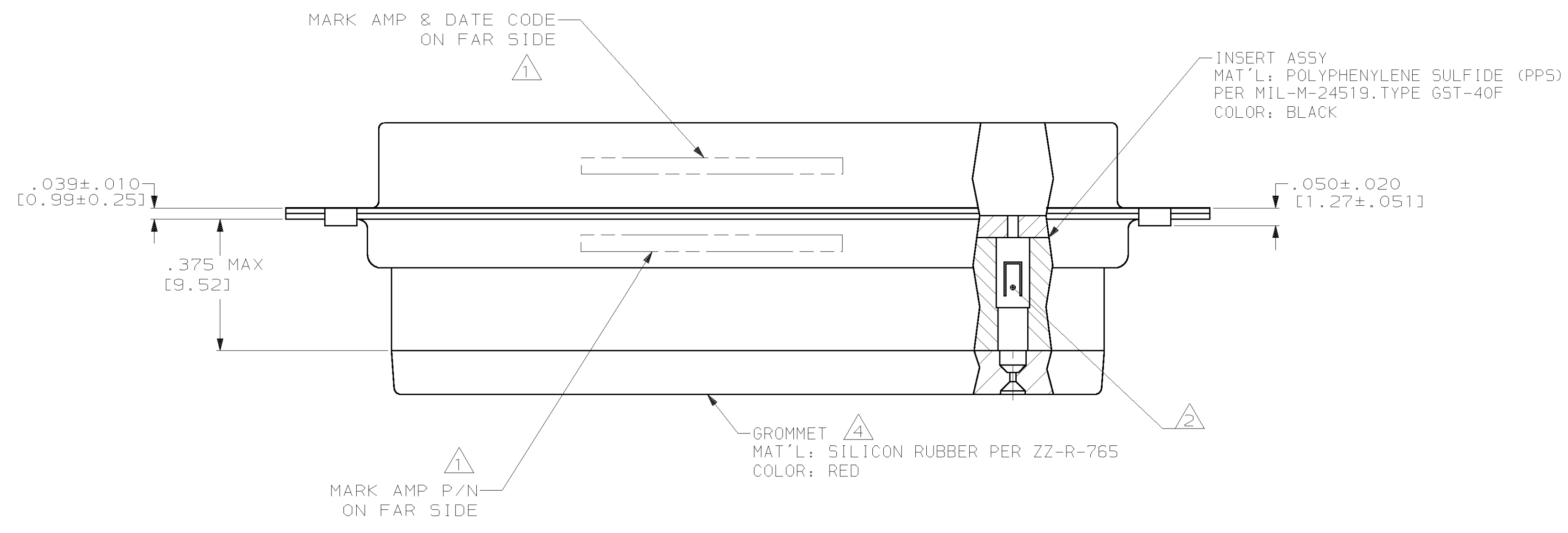
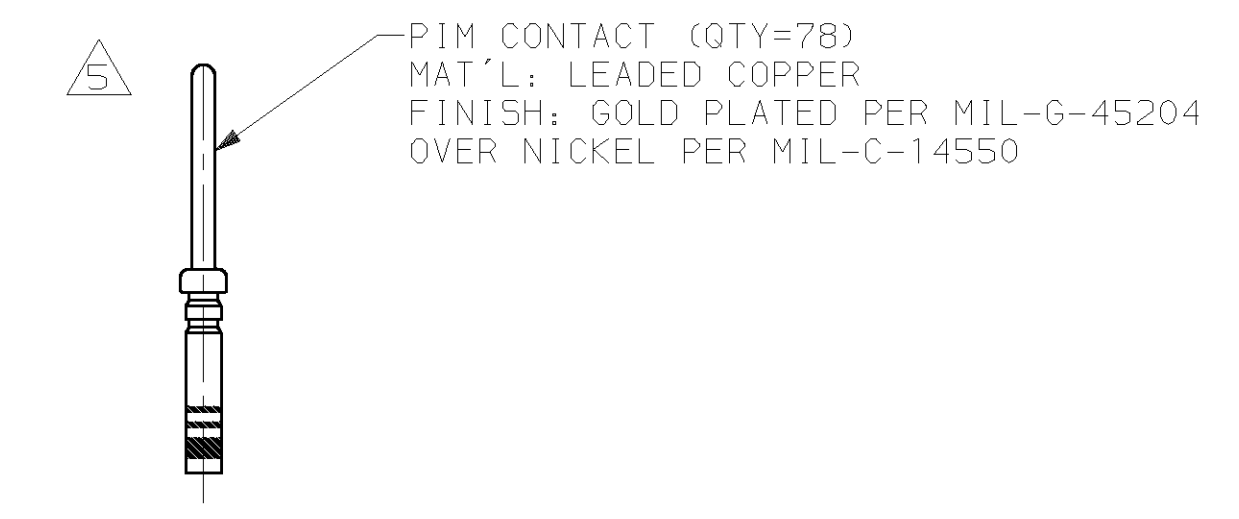
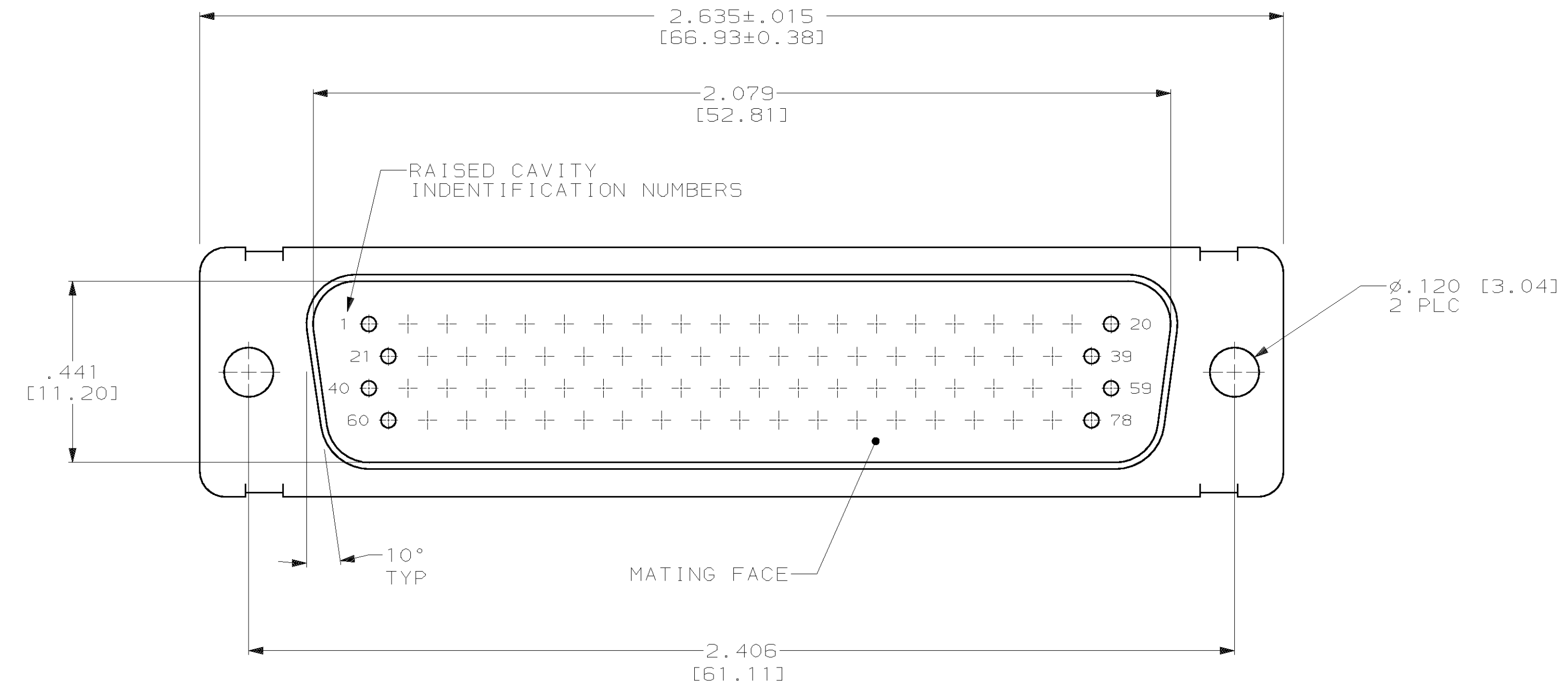


| LOC |    | DIST |     | REVISIONS            |       |     |      |
|-----|----|------|-----|----------------------|-------|-----|------|
| DF  | DO | REV  | LYR | DESCRIPTION          | DATE  | OWN | APVD |
|     |    | C    |     | REV PER 0630-0284-00 | 11-00 | CT  | RG   |

- 1. MARKED WITH .047 [1.19] HIGH CHARACTERS. FAR SIDE REFERS TO WIDE SIDE OF KEYSTONE, NEAR SIDE REFERS TO NARROW SIDE OF KEYSTONE.
- 2. STAINLESS STEEL RETENTION CLIPS ARE INCLUDED IN INSERTS.
- 3. THIS PLUG WILL MATE WITH ANY RECEPTACLE CONNECTOR WITH THE SAME INSERT ARRANGEMENT.
- 4. MAXIMUM WIRE INSULATION USED WITH THIS CONNECTOR IS .054 [1.37] DIAMETER WITH GROMMET
- 5. CONTACTS ARE PACKAGED SEPARATELY AND SHIPPED WITH CONNECTOR.



1218534-1  
PART NO.

|  |                        |                               |   |
|--|------------------------|-------------------------------|---|
| THIS DRAWING IS A CONTROLLED DOCUMENT. |                        | DWN<br>C.C. THOMAS<br>9/23/99 | AMP Incorporated<br>Harrisburg, PA 17105-3608 |
| DIMENSIONS:<br>INCHES (mm)             |                        | CHK<br>CHAD BAKER<br>10-5-99  |   |
| TOLERANCES UNLESS OTHERWISE SPECIFIED: |                        | NAME<br>CHAD BAKER<br>10-5-99 | PRODUCT SPEC                                  |
| 0 PLC ±.005                            | 1 PLC ±.005            | APPLICATION SPEC              | SIZE<br>A1                                    |
| 2 PLC ±.005                            | 3 PLC ±.005 [0.131]    | WEIGHT                        | CAGE CODE<br>00779                            |
| 4 PLC ±.005                            | ANGLES                 | CUSTOMER DRAWING              | DRAWING NO.<br>1218534                        |
| MATERIAL<br>SEE CALLOUTS               | FINISH<br>SEE CALLOUTS | SCALE<br>4:1                  | RESTRICTED TO<br>SHEET 1 OF 1<br>REV C        |

单击下面可查看定价，库存，交付和生命周期等信息

[>>TE Connectivity\(泰科\)](#)