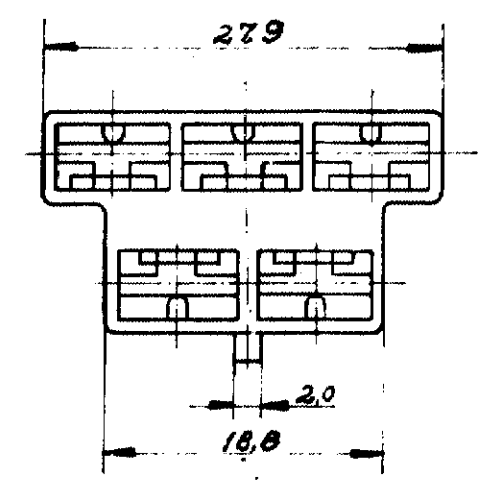
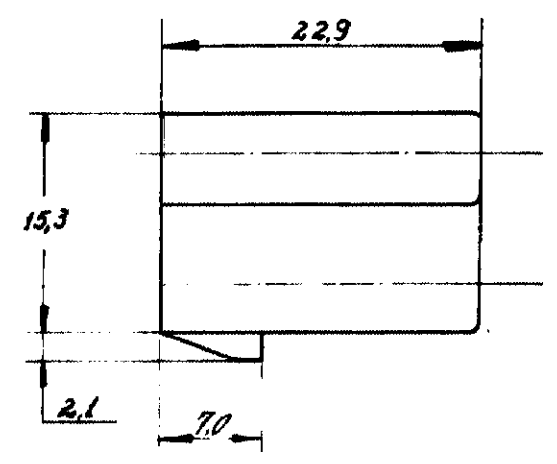
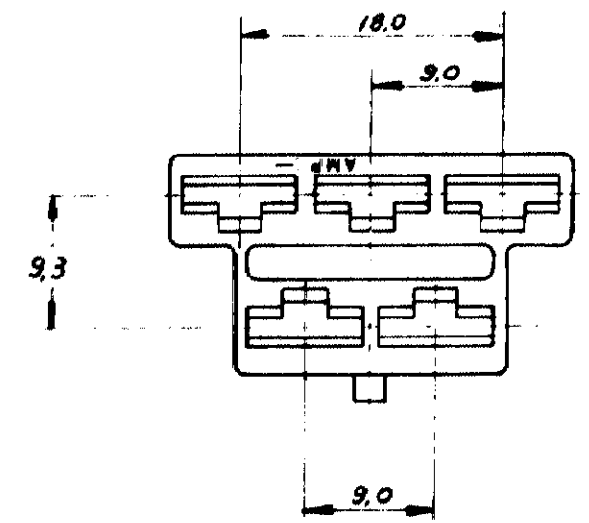



Copyright 1981 by AMP DO BRASIL - S. P. All International Rights Reserved
 AMP Incorporated products covered by U. S. and Foreign patents and/or patents pending

REVISIONS						
P	F	ZONE	LTR	DESCRIPTION	DATE	APPROVED
		0		ERA P80-29113		
		A		REVISADO	6/10/81	<i>de</i>
		B		DIM. 27,9 para 27,6 - DIM. 18,8 para 18,5	10/18/81	<i>de</i>
		C		REVISADO	26/06/83	<i>de</i>
		C1		REV. BY EC018-006305	23APR18	WLS



ESP. DE PAREDE 0,8

		NATURAL	NYLON 6/6	626535-1
		COR	MATERIAL	PART NO
UNLESS OTHERWISE SPECIFIED DIMENSIONS ARE IN MM TOLERANCES ON: DECIMALS ±0.2 ANGLES ±1°	CONTRACT NO	 AMP DO BRASIL Pa. Inc. Ind.		
	DE <i>Posato</i> 17/2/81			
MATERIAL	APPD	NAME 5 WAY FASTIN-ON RECEPT HOUSING 250 SER.		
VER TABELA	APPD			
FINISH	DSGN APPD	SIZE	LOC AP.	DRAWING NO
VER TABELA	OTHER APPD	B		626535
		SCALE 2:1	SHEET	REV C1

CUSTOMER DRAWING

单击下面可查看定价，库存，交付和生命周期等信息

[>>TE Connectivity\(泰科\)](#)