

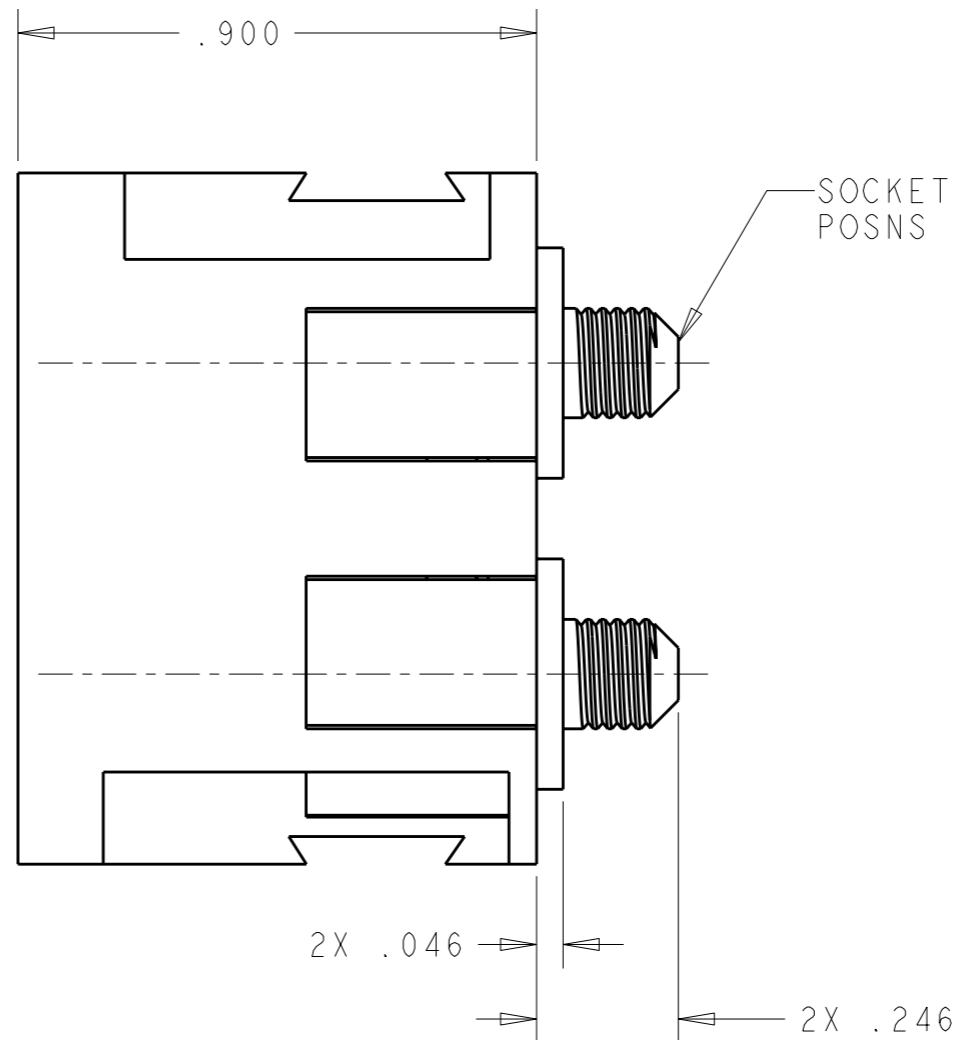
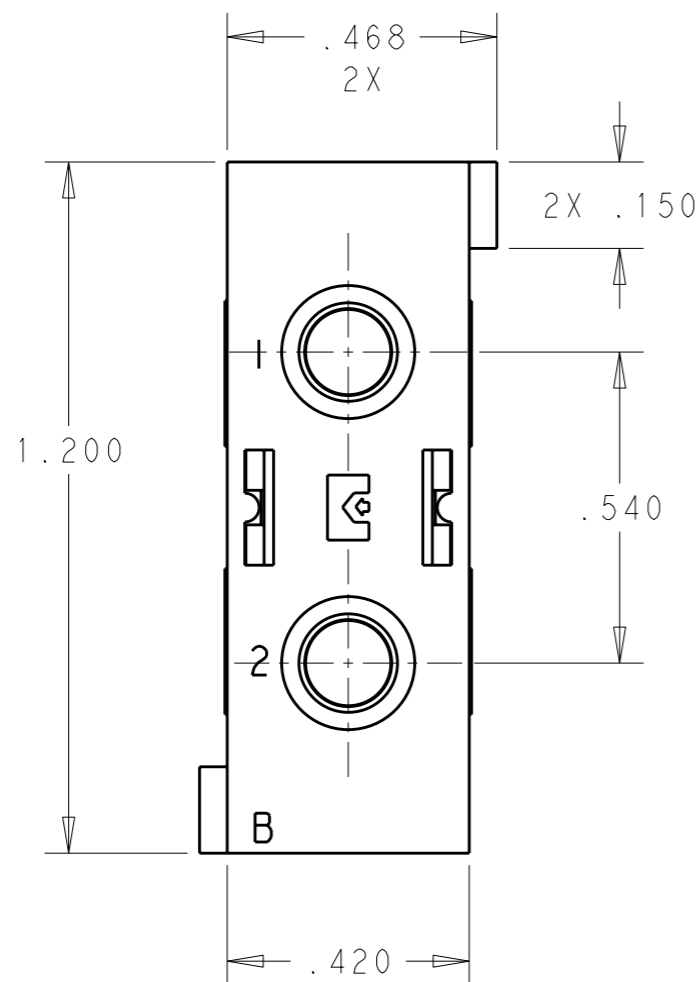
THIS DRAWING IS UNPUBLISHED. RELEASED FOR PUBLICATION 20

© COPYRIGHT 20 BY TYCO ELECTRONICS CORPORATION. ALL INTERNATIONAL RIGHTS RESERVED.

LOC GP DIST 00

REVISIONS

| P | LTR | DESCRIPTION | DATE      | DWN | APVD |
|---|-----|-------------|-----------|-----|------|
|   | A   | RELEASED    | 09MAR2011 | RG  | DO   |
|   |     |             |           |     |      |
|   |     |             |           |     |      |



1. ITEMS PROVIDED TO THIS SPECIFICATION TO BE PERMANENTLY IDENTIFIED ON THE CONTAINER WITH THE FOLLOWING LABEL:

TYCO ELECTRONICS P/N  
XXXXXXX-X

YEAR    WEEK     
DATE CODE (e.g. 0109)  
XXXX

6648442-1  
PART NUMBER

|   |  |  |  |  |  |
|---|--|--|--|--|--|
| <small>THIS DRAWING IS A CONTROLLED DOCUMENT FOR TYCO ELECTRONICS CORPORATION<br/>IT IS SUBJECT TO CHANGE AND THE CONTROLLING ENGINEERING ORGANIZATION<br/>SHOULD BE CONTACTED FOR THE LATEST REVISION.</small> |  | DWN R. GRZYBOWSKI 09MAR2011<br>CHK D. ORRIS 09MAR2011<br>APVD D. ORRIS 09MAR2011                                     |  | Tyco Electronics Corporation<br>Harrisburg, PA 17105-3608              |  |
| DIMENSIONS:<br>INCHES<br>   |  | TOLERANCES UNLESS OTHERWISE SPECIFIED:<br>0 PLC ±-<br>1 PLC ±-<br>2 PLC ±.02<br>3 PLC ±.010<br>4 PLC ±-<br>ANGLES ±- |  | NAME<br>HOUSING, SOCKET<br>No. 10-32 THREADED STUD<br>B MODULE, DOMINO |  |
| MATERIAL - FINISH -   |  | PRODUCT SPEC -<br>APPLICATION SPEC -<br>WEIGHT -   |  | SIZE A3 CAGE CODE 00779 DRAWING NO C-6648442 RESTRICTED TO -           |  |
| CUSTOMER DRAWING  |  |  |  | SCALE 3:1 SHEET 1 OF 1 REV A   |  |

单击下面可查看定价，库存，交付和生命周期等信息

[>>TE Connectivity\(泰科\)](#)