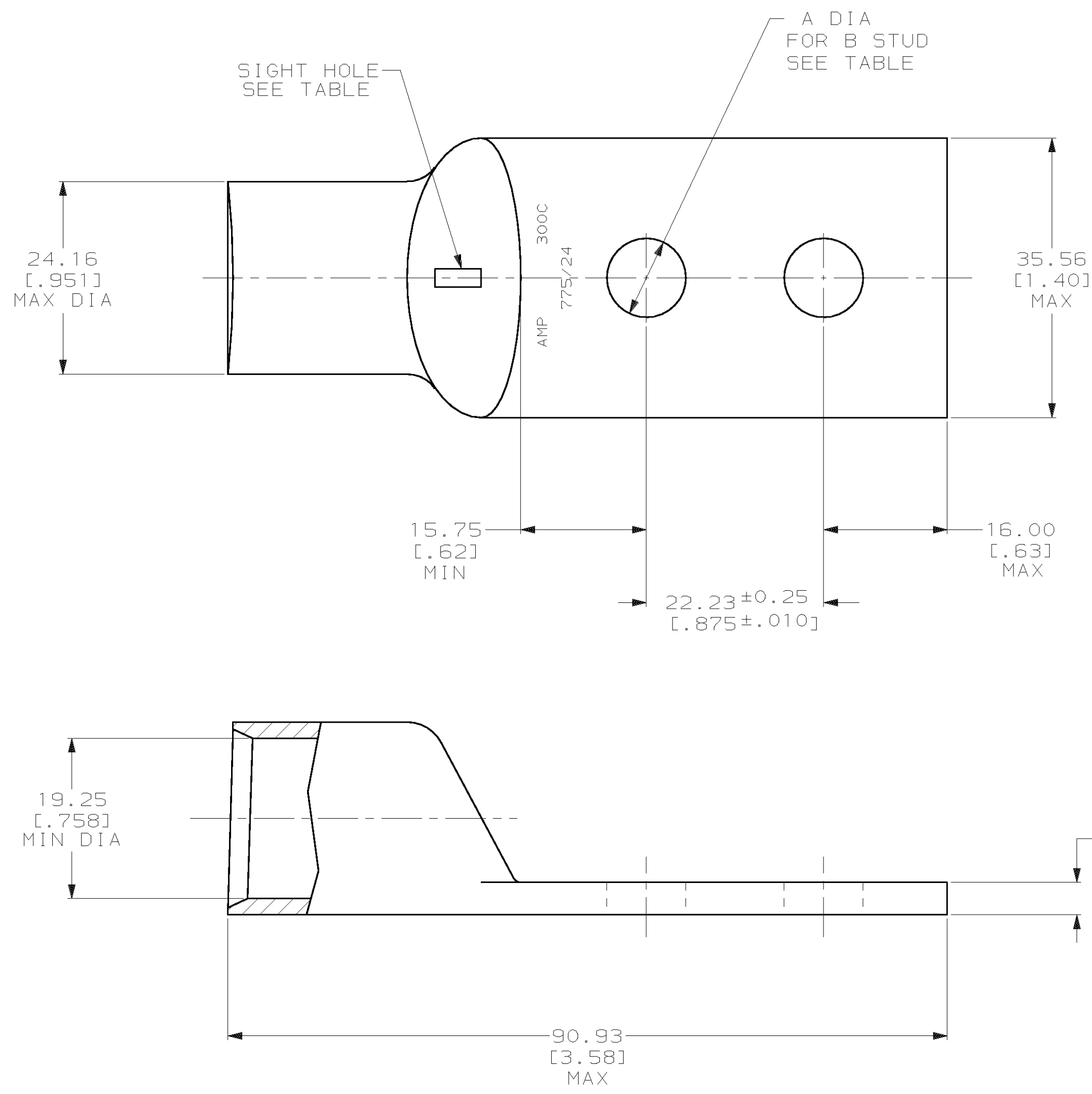


THIS DRAWING IS UNPUBLISHED. RELEASED FOR PUBLICATION, 19 .
 © COPYRIGHT 19 BY AMP INCORPORATED. ALL INTERNATIONAL RIGHTS RESERVED.

LOC		DIST		P		F		REVISIONS		DATE	APPD
ZONE	LTR	DESCRIPTION									
G	86							E	REV PER 0G3A-0561-01	07OCT02	JR MS



1 CIRCULAR MIL AREA RANGE: 275-325 MCM
 2 TIN PL 0.00381 [.000150] MIN THK PER MIL-T-10727

OBSOLETE	.208 lbs	REQD	9.91 [.390]	3/8	276917-2
	.211 lbs	NONE	8.33 [.328]	5/16	276917-1
	WEIGHT	SIGHT HOLE	A	B	PART NO

DO NOT SCALE PRINT. UNLESS SPECIFIED DIMENSIONS IN mm [INCHES] TOLERANCES ON : 2 PLC DEC ± 0.51 [.020] 3 PLC DEC ± - ANGLES ± -	DR 03/09/90 DK SCHRUM	AMP INCORPORATED Harrisburg, Pa. 17105	
	CHK 23JAN95 MS FEHER		
MATERIAL	APPD 23JAN95 WJ VOCKROTH	NAME	
ANNEALED COPPER ASTM B-75	APPD 23JAN95 TL SHUTTER	TERMINAL, AMPOWER, WIRE SIZE: 300 MCM	
FINISH	PRODUCT SPEC 108-30200	SIZE	CAGE CODE
	APPLICATION SPEC	C	00779
	WEIGHT -	SCALE	DRAWING NO
		2:1	276917
			SHEET 1 OF 1



单击下面可查看定价，库存，交付和生命周期等信息

[>>TE Connectivity\(泰科\)](#)