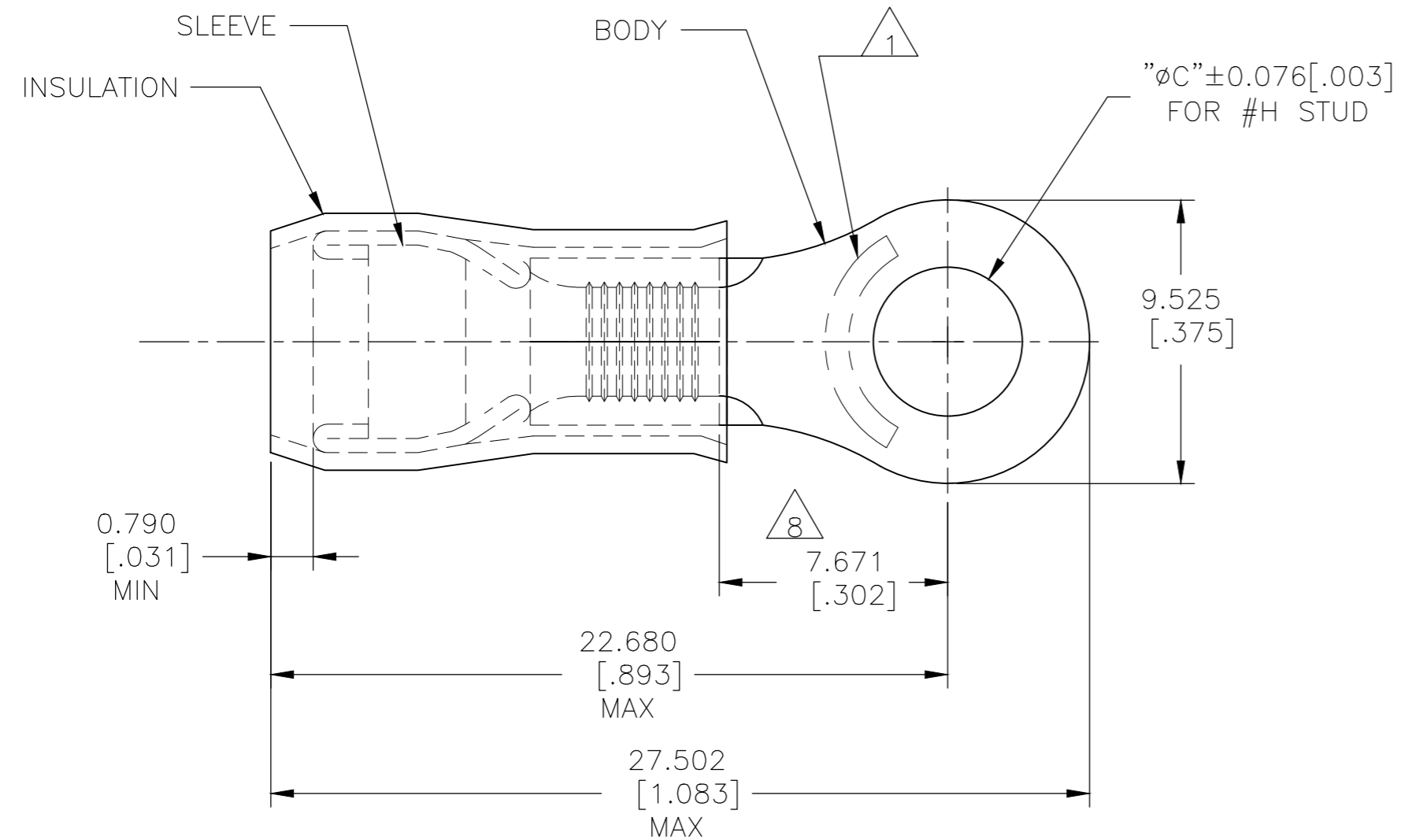


THIS DRAWING IS UNPUBLISHED. RELEASED FOR PUBLICATION
 © COPYRIGHT - By - ALL RIGHTS RESERVED.

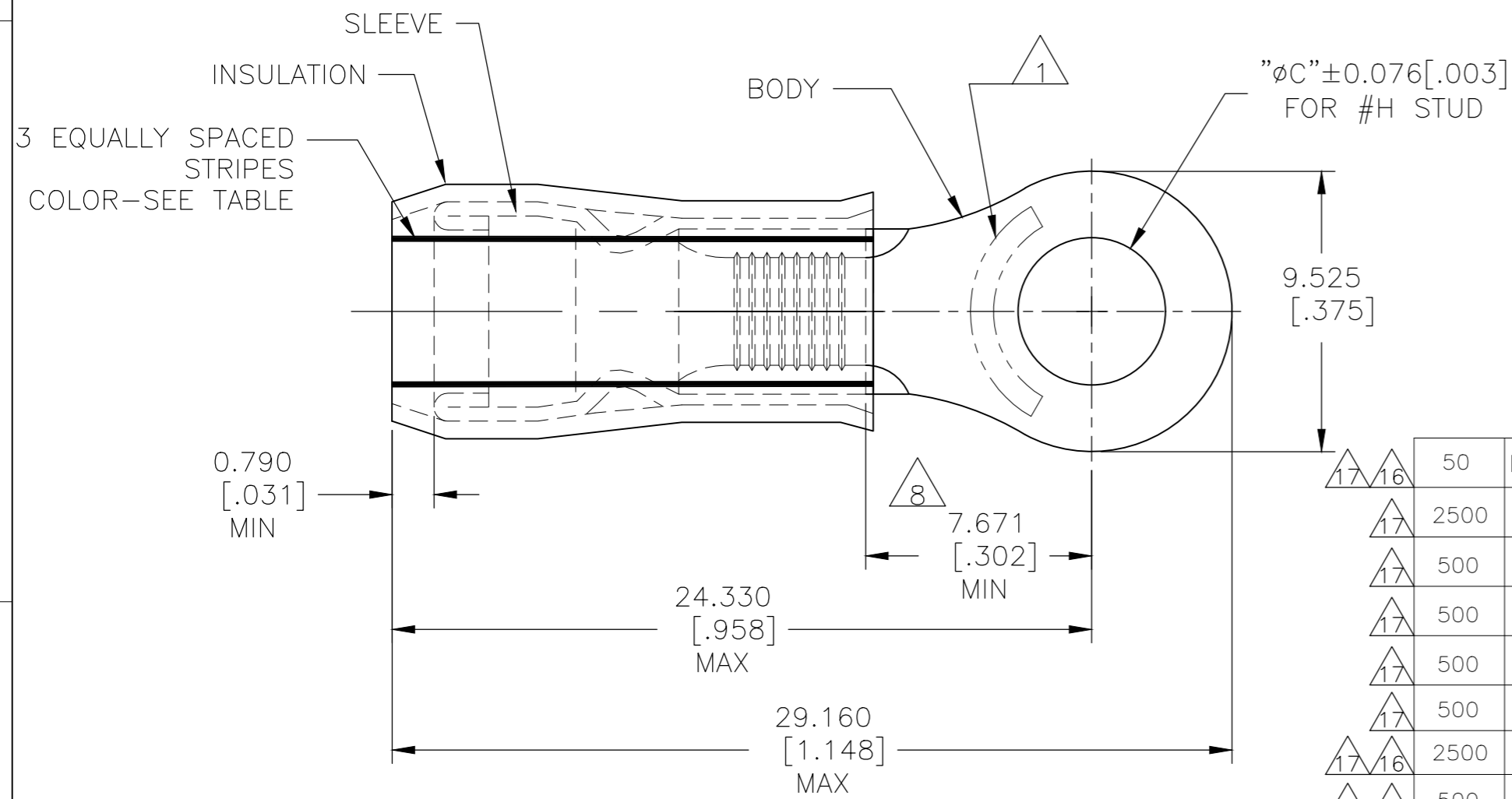
REVISIONS				
P	LTR	DESCRIPTION	DATE	APVD
AA3		REVISED PER ECO-19-007720	21MAY2020	KR DR



STYLE A

AMP WIRE RANGE	$\Delta 16$ $\Delta 17$ E13288 Listed
12-10 AWG SOLID OR STRANDED IR: STRANDED	12-10 AWG STRANDED
$\Delta 17$ $\Delta 16$ LR7189 Certified	
12-10 AWG SOLID OR STRANDED IR: STRANDED	

- $\Delta 1$ STAMP "AMP - SEE TABLE" APPROX AS SHOWN.
- $\Delta 2$ WIRE INSULATION DIA: SEE TABLE.
- $\Delta 3$ BODY MATERIAL THK: 0.991±0.051[.039±.002].
- $\Delta 4$ BODY: TIN PLATE 0.00254[.000100] MIN EXT THK PER ASTM B545.
- $\Delta 5$ SLEEVE: TIN PLATE 0.00254[.000100] MIN EXT THK PER ASTM B545.
- $\Delta 6$ SLEEVE: NICKEL PLATE PER SAE AMS QQ-N-290.
- $\Delta 7$ BODY & SLEEVE- CU PER ASTM B152
INSULATION - NYLON PER ASTM D4066.
- $\Delta 8$ APPLIES FROM EDGE OF METAL WIRE BARREL TO CENTER OF STUD HOLE.
- $\Delta 9$ MEETS MS25036-112, CLASS 1 & 2.
- $\Delta 10$ MEETS MS25036-112, CLASS 2.
- $\Delta 11$ MEETS M7928/1-58, CLASS 1 & 2.
- $\Delta 12$ MEETS M7928/1-65, CLASS 1 & 2.
- $\Delta 13$ MEETS M7928/1-56, CLASS 1 & 2.
- $\Delta 14$ MEETS M7928/1-63, CLASS 1 & 2.
- $\Delta 15$ NOTE DELETED.
- $\Delta 16$ UL LISTED.
- $\Delta 17$ CSA CERTIFIED.



STYLE B
INSULATION RESTRICTING

QTY	PACKAGE TYPE	"H"	"C"	Δ STAMPING	WIRE INSUL DIA	WIRE SIZE	STRIPE COLOR	STYLE	BODY FINISH	SLEEVE FINISH	PART NO
50	LOOSE PIECE, BOX	#10	5.004[.197]	12-10*	3.810[.150]-5.842[.230]	12-10	--	A			8-36161-2
2500	ON TAPE & REEL	#10	5.004[.197]	12*	3.023[.119]-5.080[.200]	12	BROWN	B			2-36161-8
500	LOOSE PIECE	[#6]M3.5	3.683[.145]	10*	3.023[.119]-5.080[.200]	10	BROWN	B			2-36161-6
500	LOOSE PIECE	[#6]M3.5	3.683[.145]	12*	2.413[.095]-5.080[.200]	12	YELLOW	B			2-36161-5
500	LOOSE PIECE	#10	5.004[.197]	10*	3.023[.119]-5.080[.200]	10	BROWN	B			2-36161-4
500	LOOSE PIECE	#10	5.004[.197]	12*	2.413[.095]-5.080[.200]	12	YELLOW	B			2-36161-3
2500	ON TAPE & REEL	#10	5.004[.197]	12-10*	3.810[.150]-5.842[.230]	12-10	--	A			2-36161-2
500	LOOSE PIECE	#10	5.004[.197]	12-10*	3.810[.150]-5.842[.230]	12-10	--	A			36161

AMP INCORPORATED CUSTOMER SERVICE SYSTEMS			THIS DRAWING IS A CONTROLLED DOCUMENT.		DWN JR RUTH 17DEC09	STE TE Connectivity
FOR ADDITIONAL PRODUCT INFORMATION OR COPIES OF DRAWINGS AND TECHNICAL DOCUMENTS	PRODUCT INFORMATION CENTER 1-800-522-6752	MAX RECOMMENDED OPERATING TEMPERATURE: 105°C[221°F] MAX	DIMENSIONS: mm [INCHES]	TOLERANCES UNLESS OTHERWISE SPECIFIED: 0 PLC ± - 1 PLC ± - 2 PLC ± - 3 PLC ± 0.127[.005] 4 PLC ± - ANGLES ± -	CHK T MICHIELUTTI 17DEC09	
FOR APPLICATION TOOLING INFORMATION	TOOLING ASSISTANCE CENTER 1-800-722-1111	VOLTAGE RATING: 300 VOLT MAX	MATERIAL $\Delta 7$		APVD T MICHIELUTTI 17DEC09	PRODUCT SPEC UL 486 A-B $\Delta 16$
FOR ORDER ENTRY	1-800-526-5142	CIRCULAR MIL AREA: 2.62-6.64mm[5,180-13,100] STRANDED OR SOLID	FINISH SEE TABLE INSULATION: COLOR YELLOW		APPLICATION SPEC 114-2157	SIZE CAGE CODE DRAWING NO A2 00779 C-36161
			CUSTOMER DRAWING		WEIGHT -	RESTRICTED TO -
					SCALE 5:1	SHEET 1 OF 1
					REV AA3	

单击下面可查看定价，库存，交付和生命周期等信息

[>>TE Connectivity\(泰科\)](#)