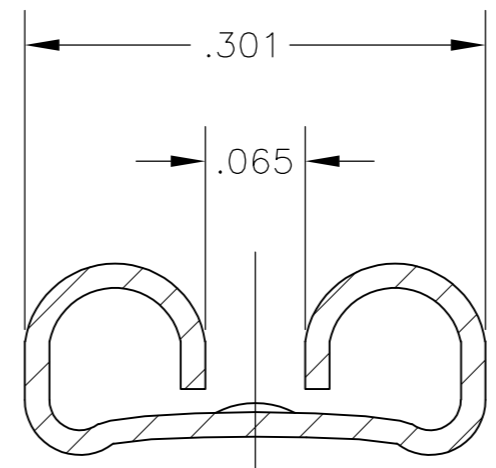
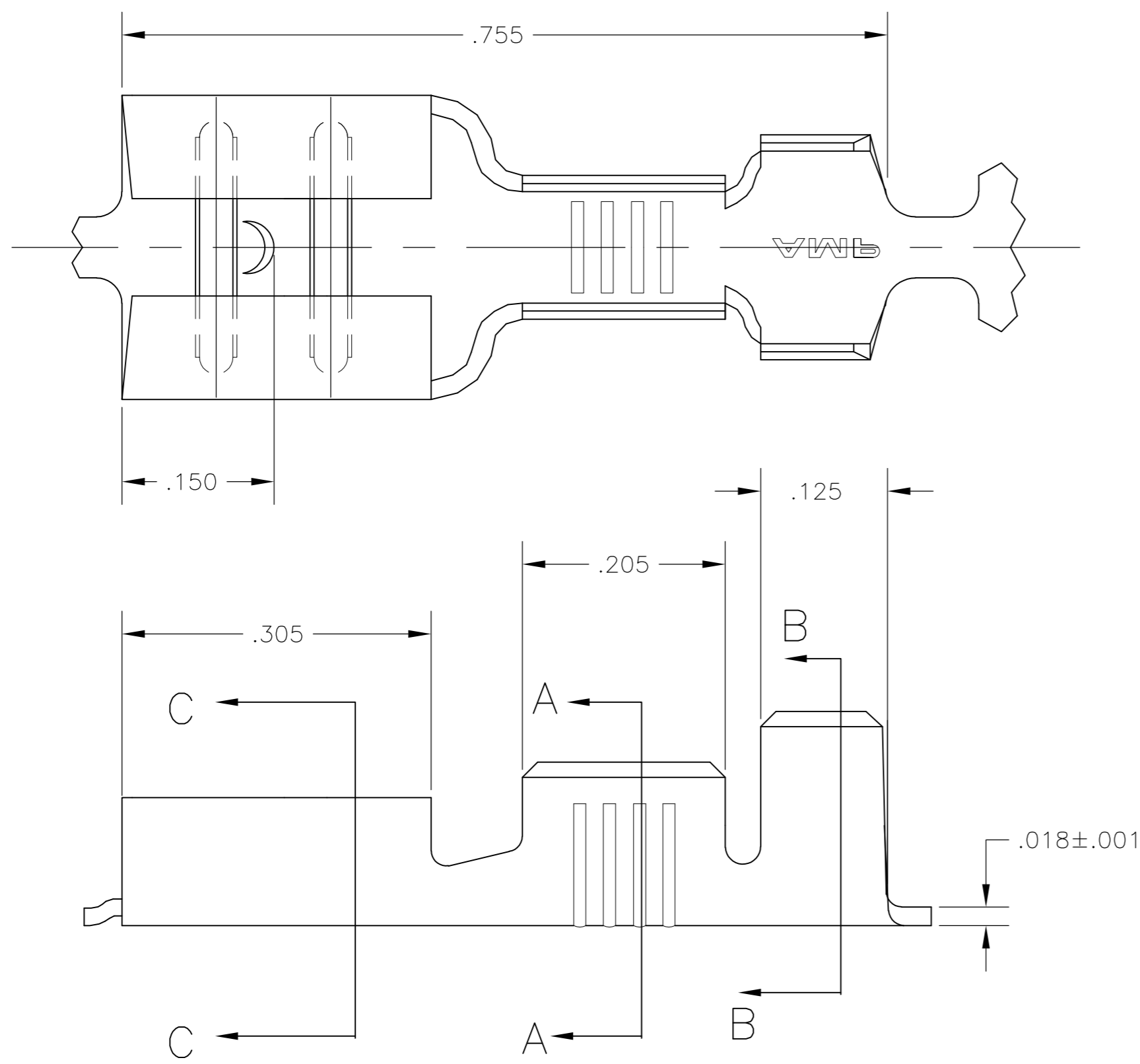
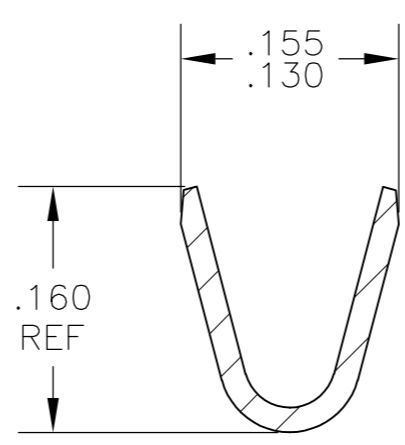


THIS DRAWING IS UNPUBLISHED. RELEASED FOR PUBLICATION  
 © COPYRIGHT - By - ALL RIGHTS RESERVED.

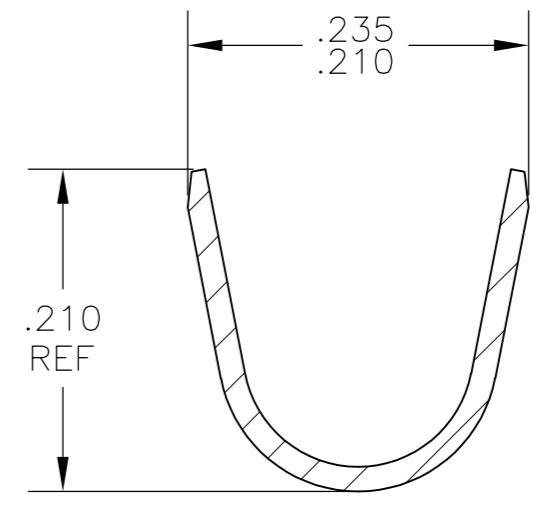
LOC		DIST		REVISIONS			
P	LTR	DESCRIPTION	DATE	DWN	APVD		
AF	50	F	REVISED PER ECR-12-013518	23NOV2012	KH	PD	



SECTION C-C



SECTION A-A



SECTION B-B

- 1 CONTINUOUS STRIP ON REELS
- 2 ACCEPTS #18-#14 AWG WIRE SIZE CRIMP WIDTH, .120, F TYPE
- 3 INSULATION RANGE IS .120-.170 DIA CRIMP WIDTH, .180, F OR O TYPE
- 4 MATING TAB THK IS .020±.001.

63655-1  
PART NO

THIS DRAWING IS A CONTROLLED DOCUMENT.		DWN JR RUTH 25JUN02			63655-1	
DIMENSIONS: INCHES		CHK P DESANTIS 24JUN02			TE Connectivity	
TOLERANCES UNLESS OTHERWISE SPECIFIED:		APVD P DESANTIS 24JUN02	NAME RECEPTACLE, FASTON, .250 SERIES		RESTRICTED TO	
0 PLC ± - 1 PLC ± - 2 PLC ± - 3 PLC ± .010 4 PLC ± - ANGLES ± -		PRODUCT SPEC -	SIZE A2	CAGE CODE 00779	DRAWING NO C=63655	
MATERIAL BRASS		FINISH TIN	WEIGHT -	SCALE 8:1	SHEET 1 of 1	REV F
CUSTOMER DRAWING						

单击下面可查看定价，库存，交付和生命周期等信息

[>>TE Connectivity\(泰科\)](#)