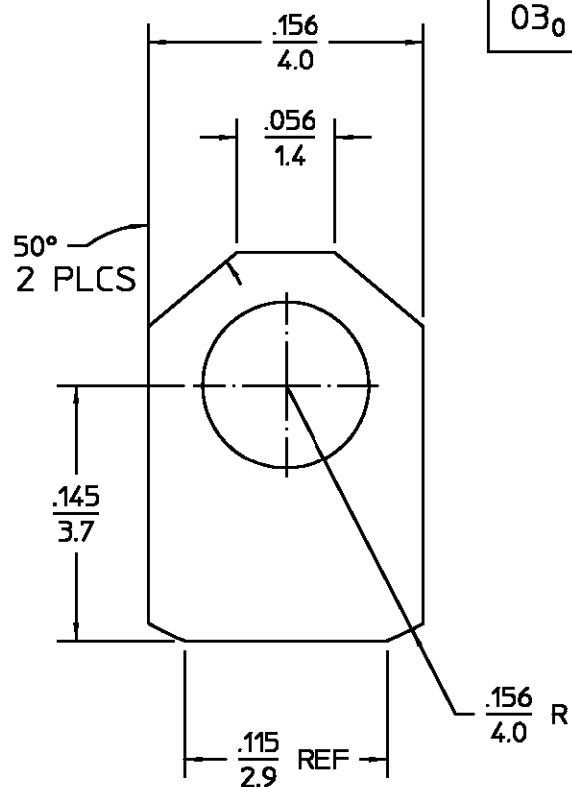
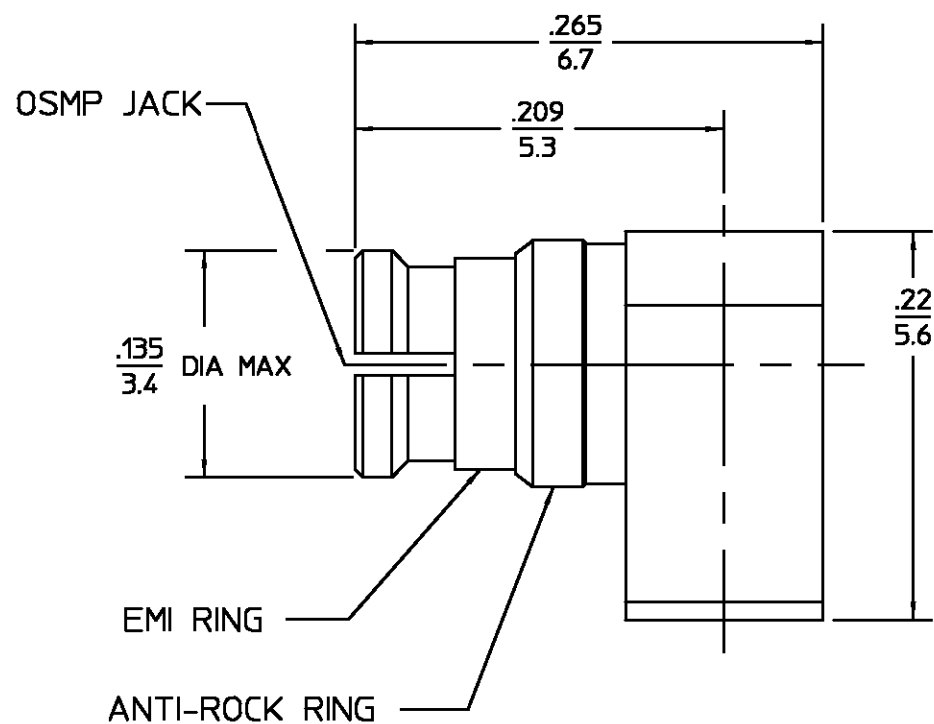


REVISIONS			
REV	DESCRIPTION	DATE	APPROVED
03 <sub>0</sub>	REVISED	12/07/94	<i>JAD</i>



ELECTRICAL	MECHANICAL	ENVIRONMENTAL	HOUSING	MATERIAL	FINISH	
Nominal Impedance (Ohms) <u>50</u>	Force to Engage (Lbs MAX) <u>15</u>	Temperature Rating <u>-65°C To +125°C</u>	DIELECTRIC	BERYLLIUM COPPER PER ASTM-B-196, ALLOY C17300, CONDITION H	GOLD PLATE PER MIL-G-45204	
Frequency Range (GHz) DC to <u>26.5</u>	Disengage (Lbs MIN) <u>2.0</u>	Vibration MIL-STD-202, Method 204, Condition D		CENTER CONTACT CONTACT FINGER ANTI-ROCK RING EMI RING	PTFE FLUOROCARBON PER ASTM-D-1457	N/A
Volt Rating (VRMS MAX) @ Sea Level <u>250</u>	Center Contact Retention <u>1.5 Lbs MIN</u>	Thermal Shock MIL-STD-202, Method 107, Condition B,	COMPONENT	BERYLLIUM COPPER PER ASTM B 196, ALLOY C17300, CONDITION H	GOLD PLATE PER MIL-G-45204	
VSWR <u>1.25 MAX @ 26.5 GHz</u>	Durability <u>100 cycles</u>	Corrosion - MIL-STD-202, Method 101, Condition B	UNLESS OTHERWISE SPECIFIED DIMENSIONS ARE IN INCHES	AMP Incorporated 140 Fourth Avenue Waltham, MA 02451-7599		
Insertion Loss <u>.12f GHz dB MIN</u>	DESIGNED FOR USE WITH <u>.085 DIA S.R.</u>	.XXX = in XX.X = mm (REF)	FRAC. DEC. ANGLES ± 1/64 ±.005 ± 1°	TITLE OSMP RIGHT ANGLE CABLE JACK DIRECT SOLDER ATTACHMENT		
Corona, 70,000 Ft (VRMS MIN) <u>190</u>	CABLE ENTRY DIAMETER MINIMUM		DRAWN BY <i>[Signature]</i> DATE <u>4/15/93</u>	USE ASSY PROCEDURE	SIZE <u>B</u>	CODE IDENT NO. <u>2908-7985-62</u>
Dielectric Withstanding Voltage (VRMS MIN) @ Sea Level <u>500</u>	HOUSING <u>.089</u>		CHECKED BY <i>[Signature]</i>	NO. A.P. <u>29-002</u>	SCALE <u>10:1</u>	REV <u>03<sub>0</sub></u>
Contact Resistance (Milliohms MAX) Center Contact <u>6.0</u> Outer Contact <u>2.0</u> Cable to Housing <u>0.5</u>			APPD BY <i>[Signature]</i> <u>4/21/93</u>	These drawings and specifications are the property of AMP Incorporated and shall not be reproduced or copied or used in whole or in part as the basis for the manufacture or sale of item(s) without written permission.	SHEET 1 OF 1	
RF High Potential @ Sea Level (VRMS MIN @ 5 MHz) <u>325</u>				AMP PART # 1056554-1		
LR.(Megohms MIN) <u>5000</u>				SHEET 1 OF 1 REV A		

CUSTOMER DRAWING

AMP PART # 1056554-1  
SHEET 1 OF 1 REV A

单击下面可查看定价，库存，交付和生命周期等信息

[>>TE Connectivity\(泰科\)](#)