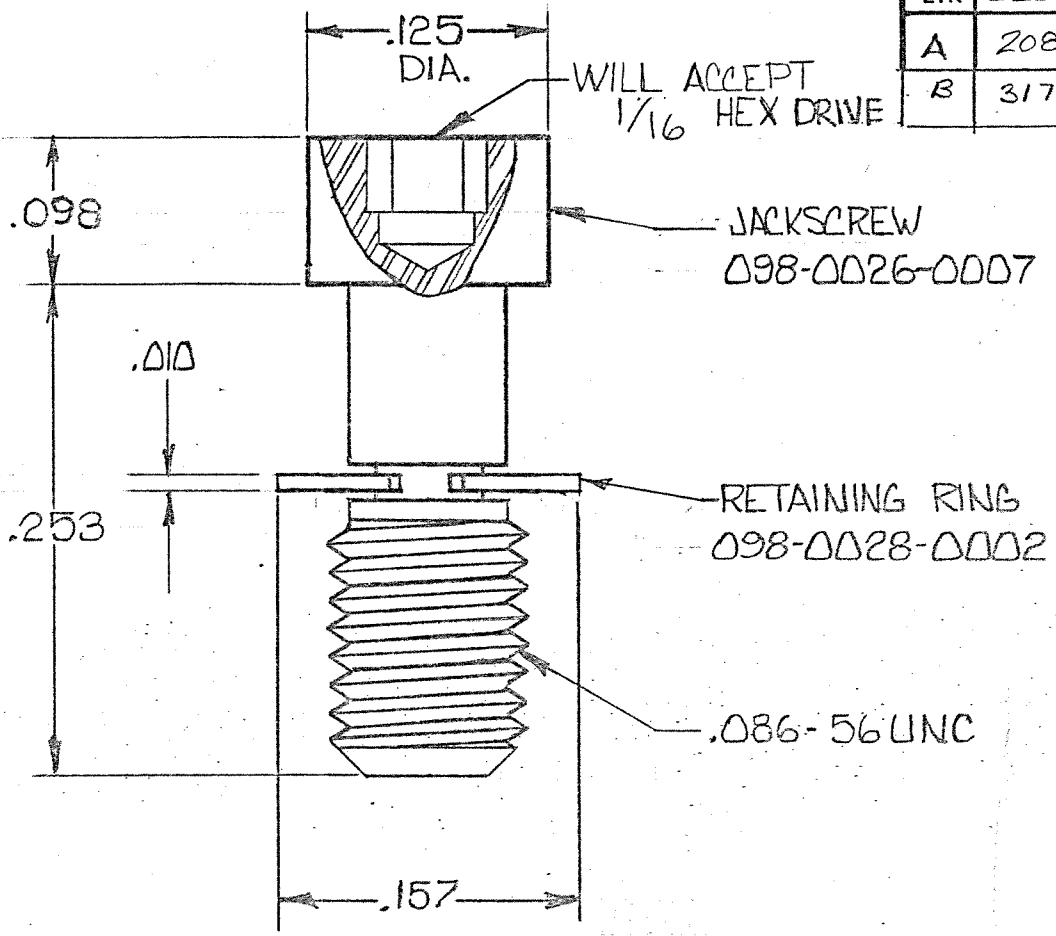



REVISIONS				
LTR	ECO #	DESCRIPTION	DATE	APPROVED
A	20830	RELEASED 2-9-76 DWJH	3-30-76	MD
B	31771	DIM 13 .098 WAS: .075 CODE 15: CDM WAS: CD	11-28-88	MD



Tyco Dwg 1466010
Micro P/N 096-0002-0015

		UNLESS OTHERWISE SPECIFIED DIMENSIONS ARE IN INCHES TOLERANCES ARE: FRACTIONS DECIMALS ANGLES ± .XX ± .02 ± .XXX ± .010	CONTRACT NO.		 MALCO A MICRODOT COMPANY, INC. 220 PASADENA AVE., SO. PASADENA, CALIF. 91030	JACKSCREW ASSEMBLY LOW PROFILE ALLEN HEAD	PROD. CODE 839
			APPROVALS				DATE
		MATERIAL	DRAWN DAVID HOOPER		2-9-76		
			FINISH	CHECKED MD		3-29-76	
		USED ON		M. JAGANWSKA		3-29-76	
APPLICATION			DO NOT SCALE DRAWING	<small>These drawings and specifications are the property of Microdot Inc., are issued in strict confidence and shall not be divulged, be reproduced or copied, or used as the basis for the manufacture or sale of any article without written permission of Microdot Inc.</small>		SIZE A	CODE IDENT NO. 98278
			SCALE NONE		SHEET 1 OF 1		

单击下面可查看定价，库存，交付和生命周期等信息

[>>TE Connectivity\(泰科\)](#)