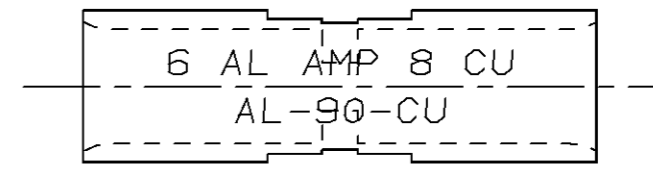
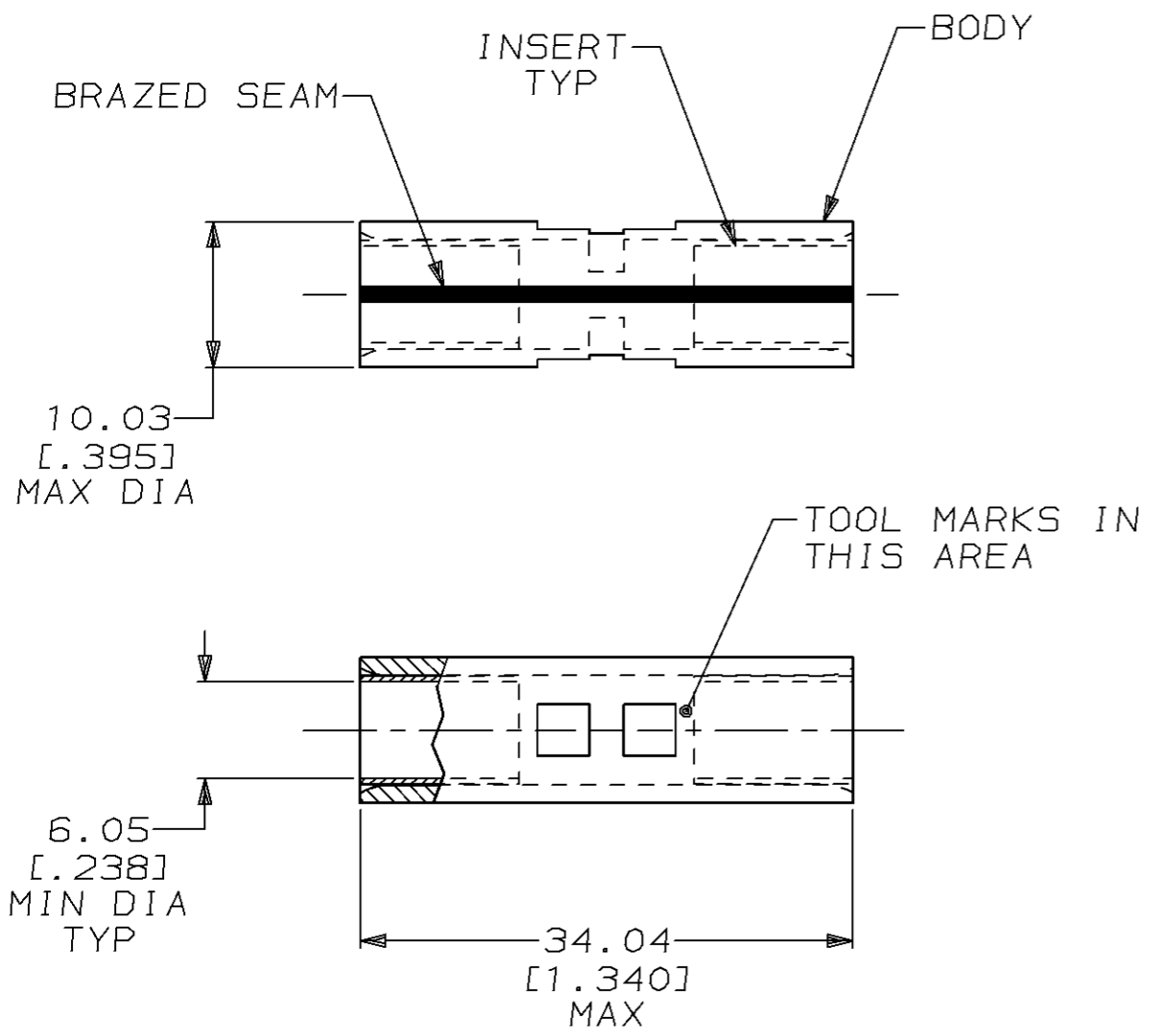
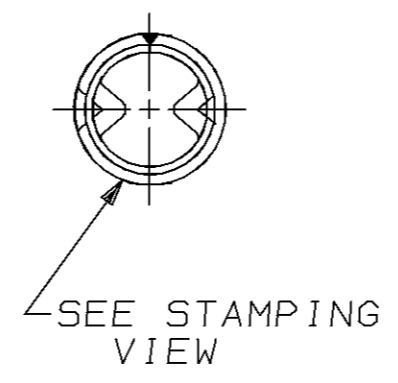


THIS DRAWING IS UNPUBLISHED. RELEASED FOR PUBLICATION ,19 .  
 © COPYRIGHT 19 BY AMP INCORPORATED. ALL RIGHTS RESERVED.

LOC	DIST	REVISIONS				
P	LTR	DESCRIPTION	DATE	DWN	APVD	
G	14	F	REVISED & REDRAWN PER 0L20-0164-97	13AUG97	DKS	MJS



STAMPING VIEW



BODY: COPPER PER ASTM B-301 TIN PL 0.00254 [.000100] MIN THK PER ASTM B-545	51941
INSERT: BRASS PER MIL-C-50 TIN PL 0.00762 [.000300] MIN EXT THK PER ASTM B-545	
MATERIAL & FINISH	AMP PART NUMBER

THIS DRAWING IS A CONTROLLED DOCUMENT FOR AMP INCORPORATED. IT IS SUBJECT TO CHANGE AND THE CONTROLLING ENGINEERING ORGANIZATION SHOULD BE CONTACTED FOR THE LATEST REVISION.		DWN DK SCHRUM 13AUG97	AMP Incorporated Harrisburg, PA 17105-3608
DIMENSIONS: mm [INCHES]	TOLERANCES UNLESS OTHERWISE SPECIFIED:	CHK MJ SPICER 15AUG97	
	0 PLC ±-	APVD JL MECKLEY 15AUG97	
	1 PLC ±-	PRODUCT SPEC	
MATERIAL	FINISH	APPLICATION SPEC	NAME SPLICE, BUTT, STRANDED/SOLID, COPALUM™, WIRE SIZE: 6AL-8CU
SEE TABLE	SEE TABLE	WEIGHT	SIZE A3
		CUSTOMER DRAWING	CAGE CODE 00779
			DRAWING NO C-51941
			SCALE 2:1
			SHEET 1 OF 1
			REV F

单击下面可查看定价，库存，交付和生命周期等信息

[>>TE Connectivity\(泰科\)](#)