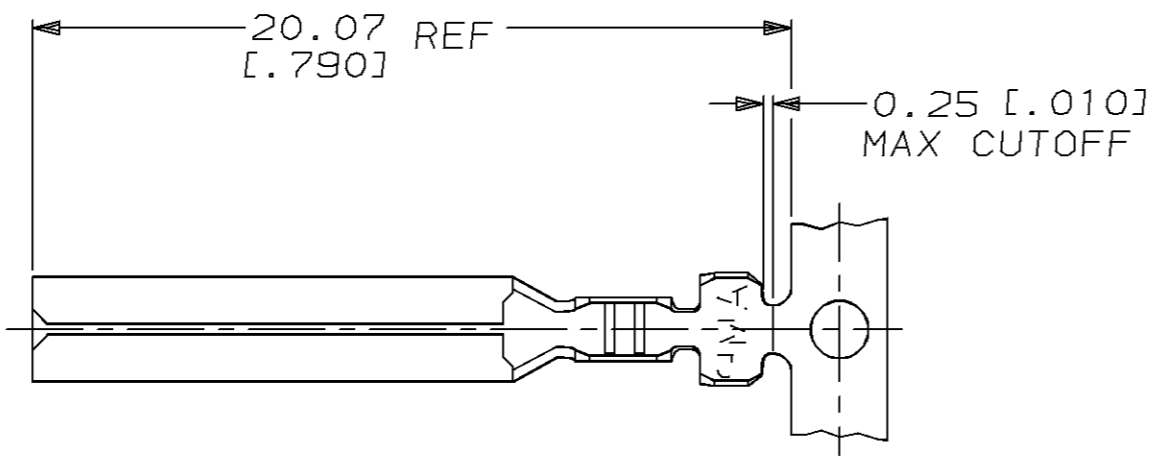
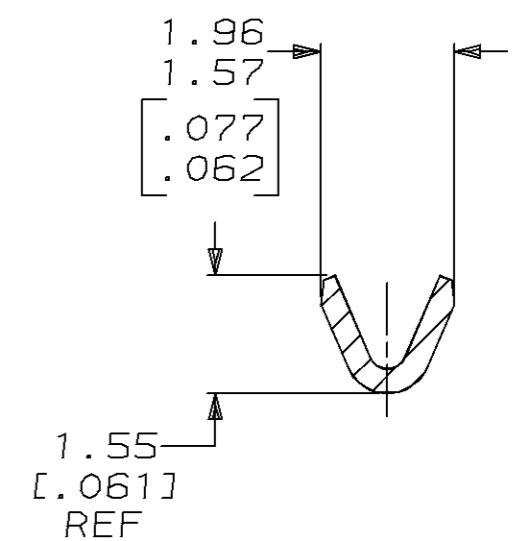
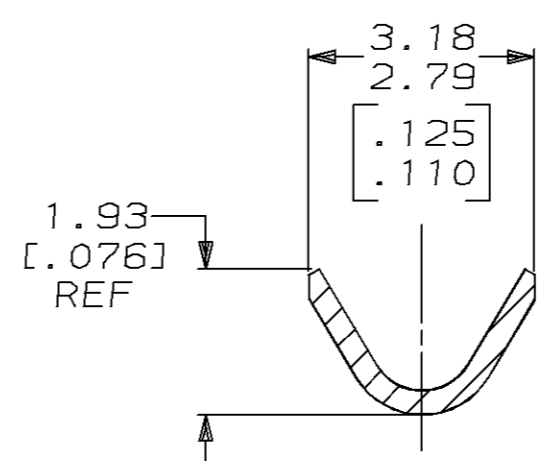
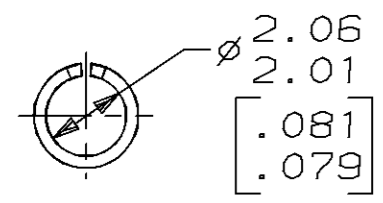
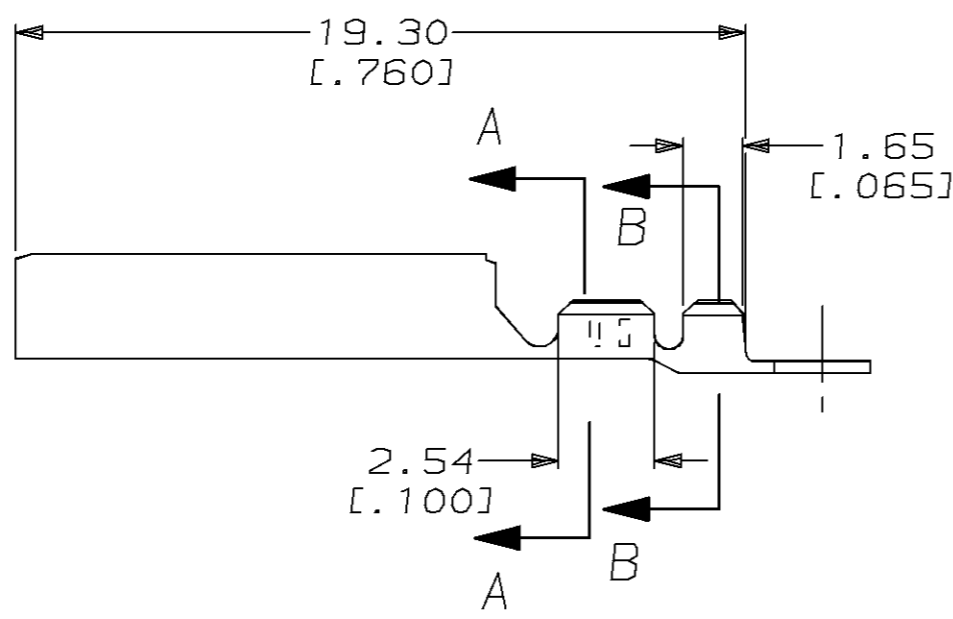


THIS DRAWING IS UNPUBLISHED. RELEASED FOR PUBLICATION, 19 .  
 © COPYRIGHT 19 BY AMP INCORPORATED. ALL RIGHTS RESERVED.

LOC	DIST	REVISIONS					
		P	LTR	DESCRIPTION	DATE	DWN	APVD
CM	53		A	REV PER EC 0L30-0020-96	8-1-96	JH	RS



1. DIMENSIONS IN BRACKETS ARE IN INCHES.
2. WIRE RANGE: 0.5 - 0.15 MM SQ (30 -26 AWG)
3. INSULATION RANGE: 0.81 - 1.45 (.032 -.057) DIA



SECTION B-B  
SCALE 10:1

SECTION A-A  
SCALE 10:1

TIN	0.30 (.012) BRASS	794042-1
FINISH	MATERIAL	PART NUMBER

<small>THIS DRAWING IS A CONTROLLED DOCUMENT FOR AMP INCORPORATED. IT IS SUBJECT TO CHANGE AND THE CONTROLLING ENGINEERING ORGANIZATION SHOULD BE CONTACTED FOR THE LATEST REVISION.</small>		DWN	L. SMITH	4-18-94	<b>AMP</b> AMP Incorporated Harrisburg, PA 17105-3608
DIMENSIONS:		CHK	R. SWING	4-18-94	
mm [INCHES]		APVD	D. SELF	4-21-94	
TOLERANCES UNLESS OTHERWISE SPECIFIED:		PRODUCT SPEC			
	0 PLC	±-	<b>SOCKET, UNIVERSAL MATE-N-LOK</b>		
	1 PLC	±-			
2 PLC	±-				
3 PLC	±.005				
4 PLC	±-				
ANGLES	±0°30'		APPLICATION SPEC	NAME	
FINISH	TIN		WEIGHT	SIZE	
MATERIAL	BRASS		-		A3
			CUSTOMER DRAWING		CAGE CODE
					00779
					DRAWING NO
					C=794042
					SCALE
					5:1
					SHEET
					1 OF 1
					REV
					A

**METRIC**

单击下面可查看定价，库存，交付和生命周期等信息

[>>TE Connectivity\(泰科\)](#)