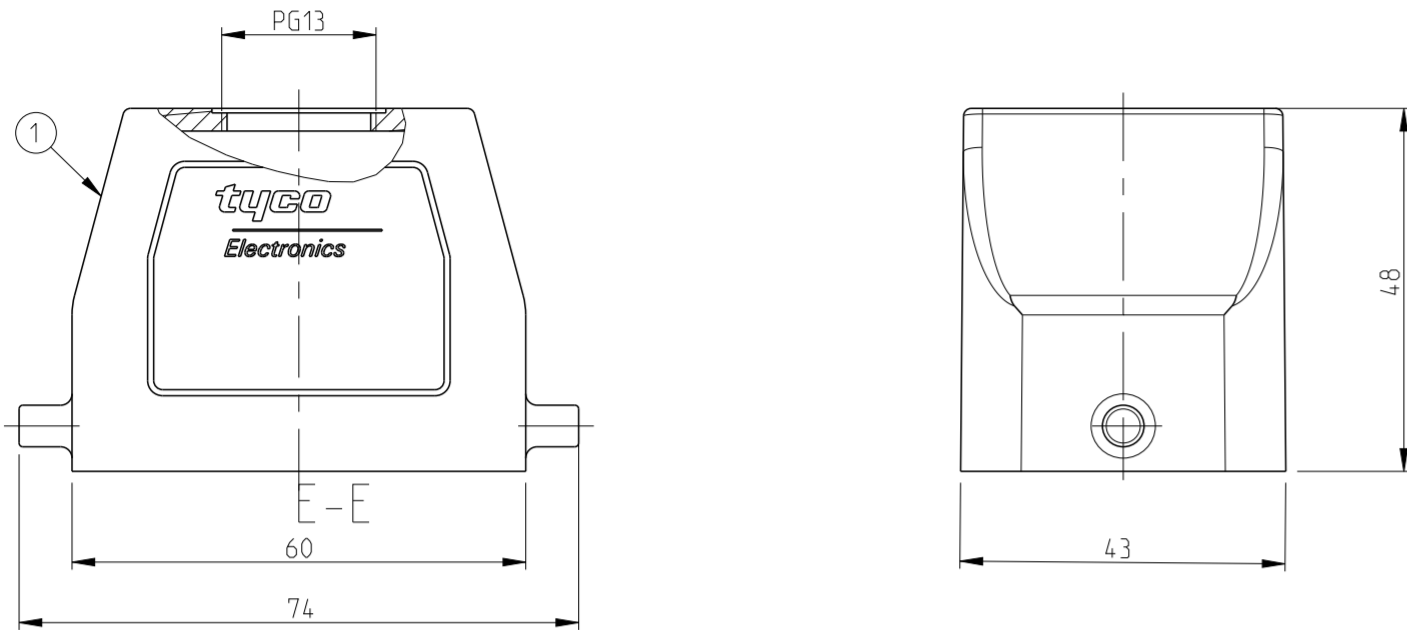


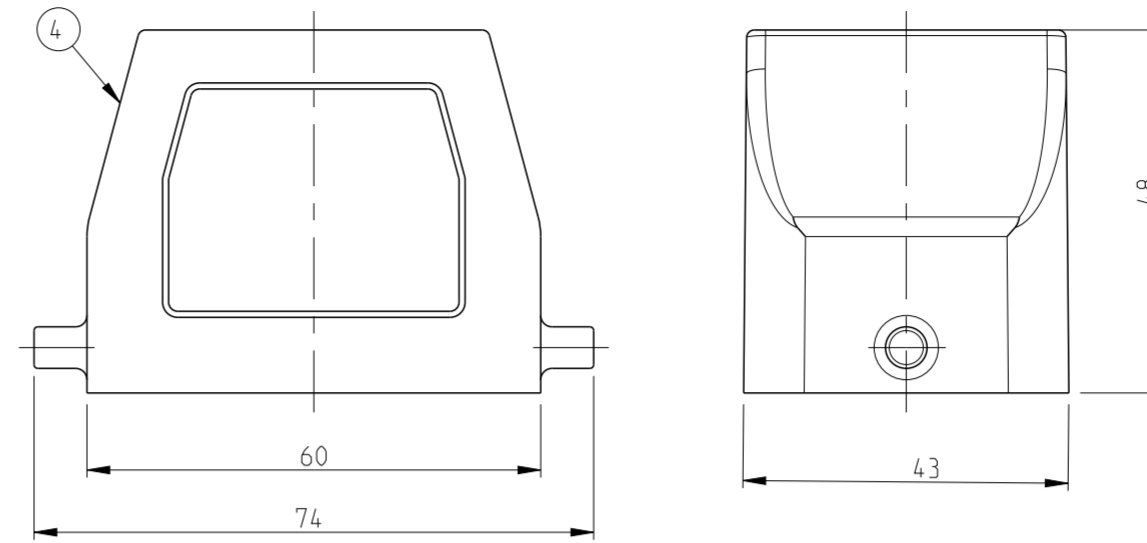
THIS DRAWING IS UNPUBLISHED. RELEASED FOR PUBLICATION 1999
 © COPYRIGHT 1998 ALL RIGHTS RESERVED.

REVISONS				DATE	DWN	APVD
P	LTR	DESCRIPTION				
A	7	REVISED PER ECR-16-016768		19AUG2017	AP	MKO

PN 0-1



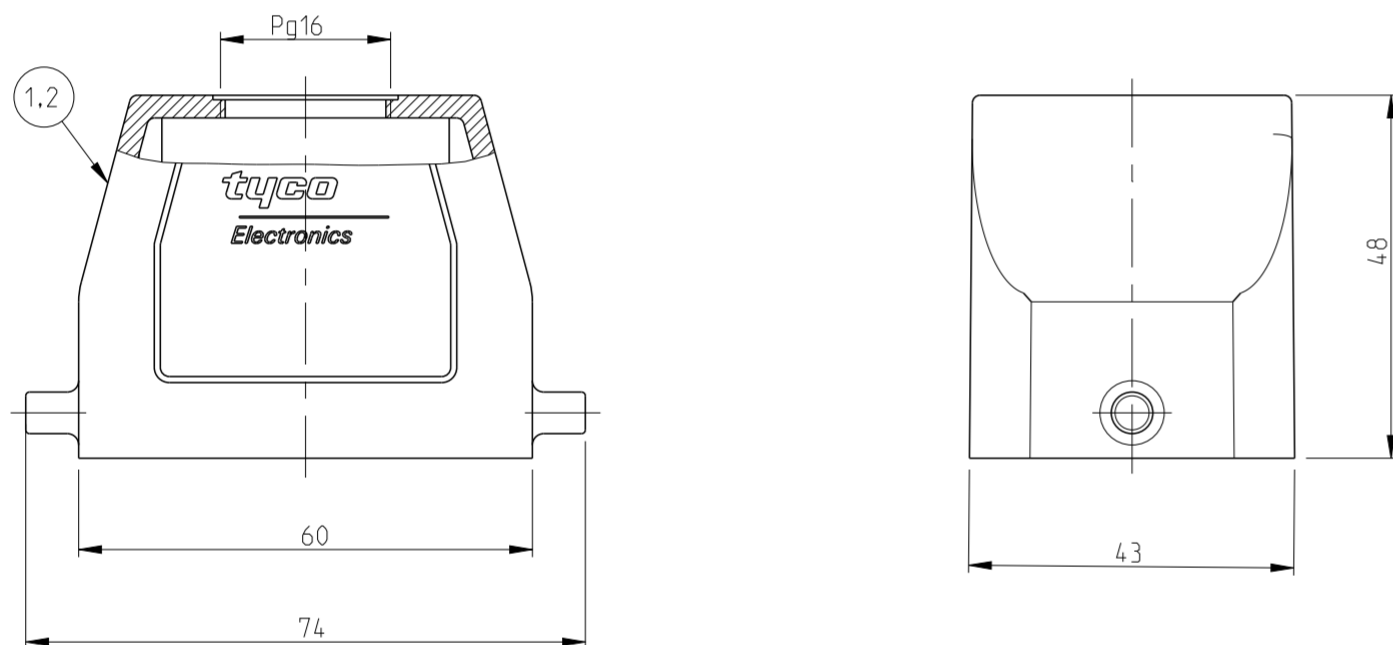
PN 0-3



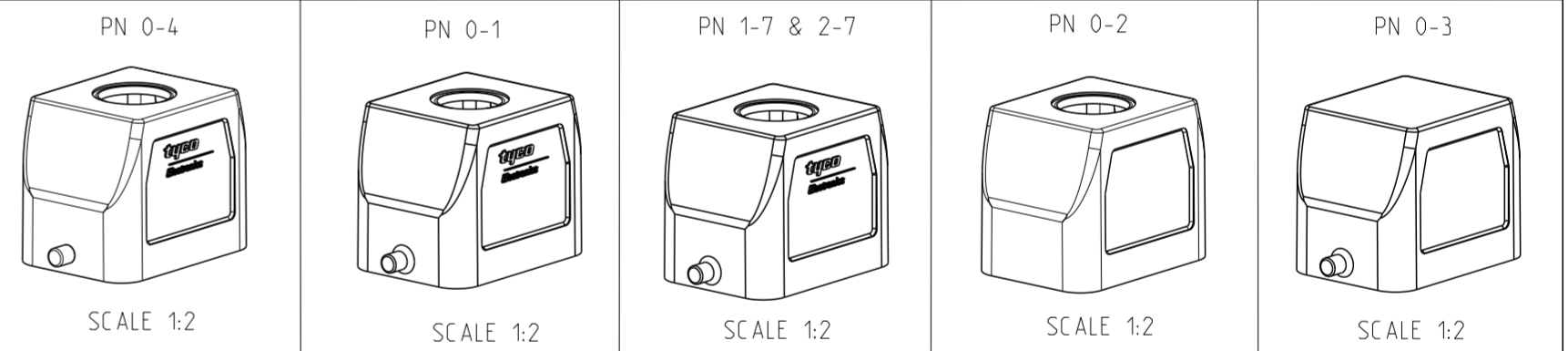
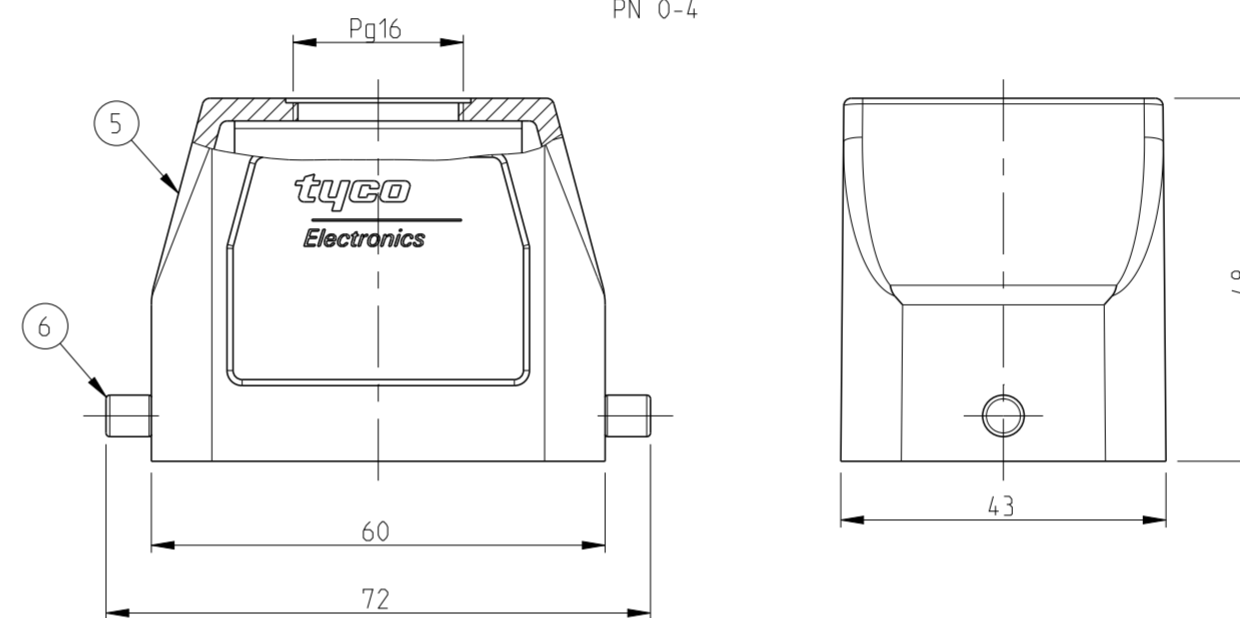
Notes

- 1 Material: Housing: Aluminium diecasting alloy
- 2 Surface:- Varnish-grey
Aluminium oxide+
Varnish black/White
- 3 Varnish on the inside not necessary
- 4 Packaging
Packaging quantity: 5 pieces in a box
- 5 OBSOLETE

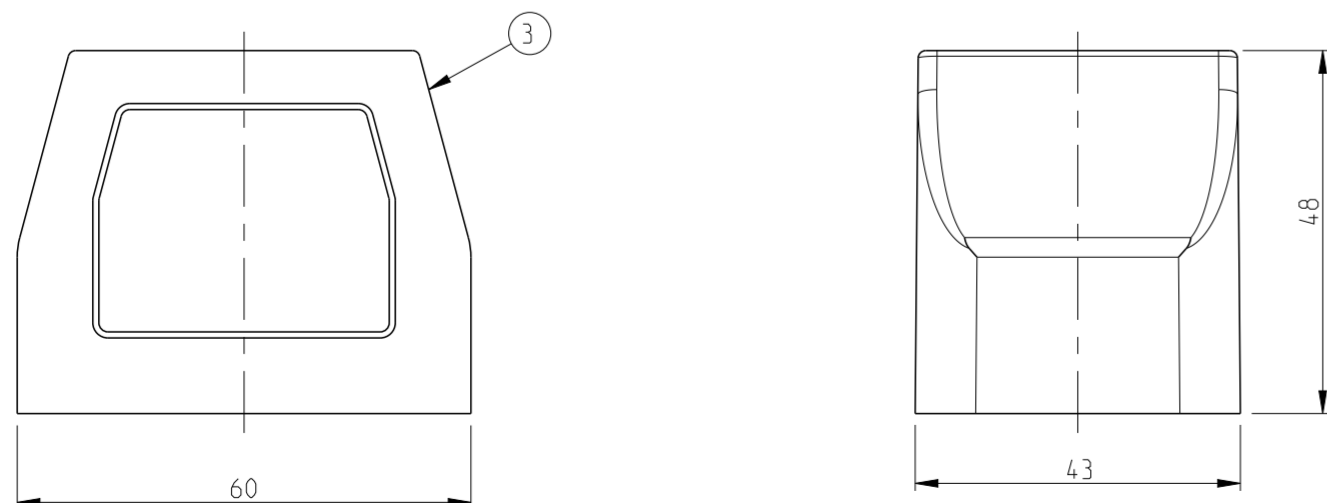
PN 1-7 & 2-7



PN 0-4



PN 0-2



QTY	ITEM NO	DESCRIPTION	MATERIAL	SURFACE	COLOR	ITEM NO	NOTES	
2		Clip bolt	Stainless steel			6		
1		Hood HB-K	Aluminium	Aluminium oxide	Black	5		
1		Hood HB-K	Aluminium	Aluminium oxide	Black	4	Without PG-Thread	
	1	Hood HB	Aluminium	Aluminium oxide	White	3	Without bolt	
		1	Hood HB	Aluminium	Grey	2		
	1	1	Hood HB-K	Aluminium	Aluminium oxide	Black	1	

ORDERING TEXT
 HB-K.6.STO.1.13.G
 HB.6.STO.1.16.G
 HB-K.6.STO.1.16.G
 HB.6.STO.1.16.G
 HB-K.6.ST
 HB-K.6.STO.1.16.G

THIS DRAWING IS A CONTROLLED DOCUMENT.

DWN Schneider 14.03.00
 CHK Schweizer 14.03.00

APVD

PRODUCT SPEC

APPLICATION SPEC

WEIGHT

CUSTOMER DRAWING

NAME: Hood HB.6.STO.1.13/16.G

SIZE: A2 CAGE CODE: 00779 DRAWING NO: C-1102243 RESTRICTED TO

SCALE: 1:1 SHEET 1 OF 1 REV: A7

单击下面可查看定价，库存，交付和生命周期等信息

[>>TE Connectivity\(泰科\)](#)