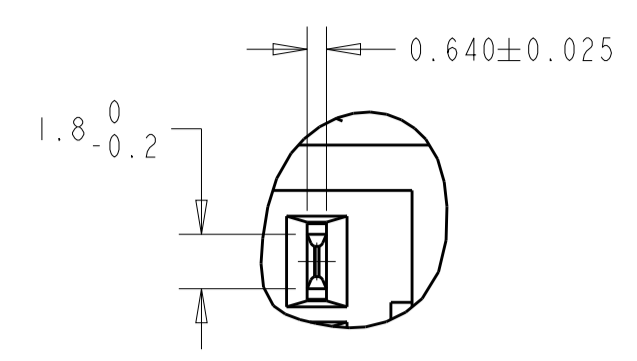
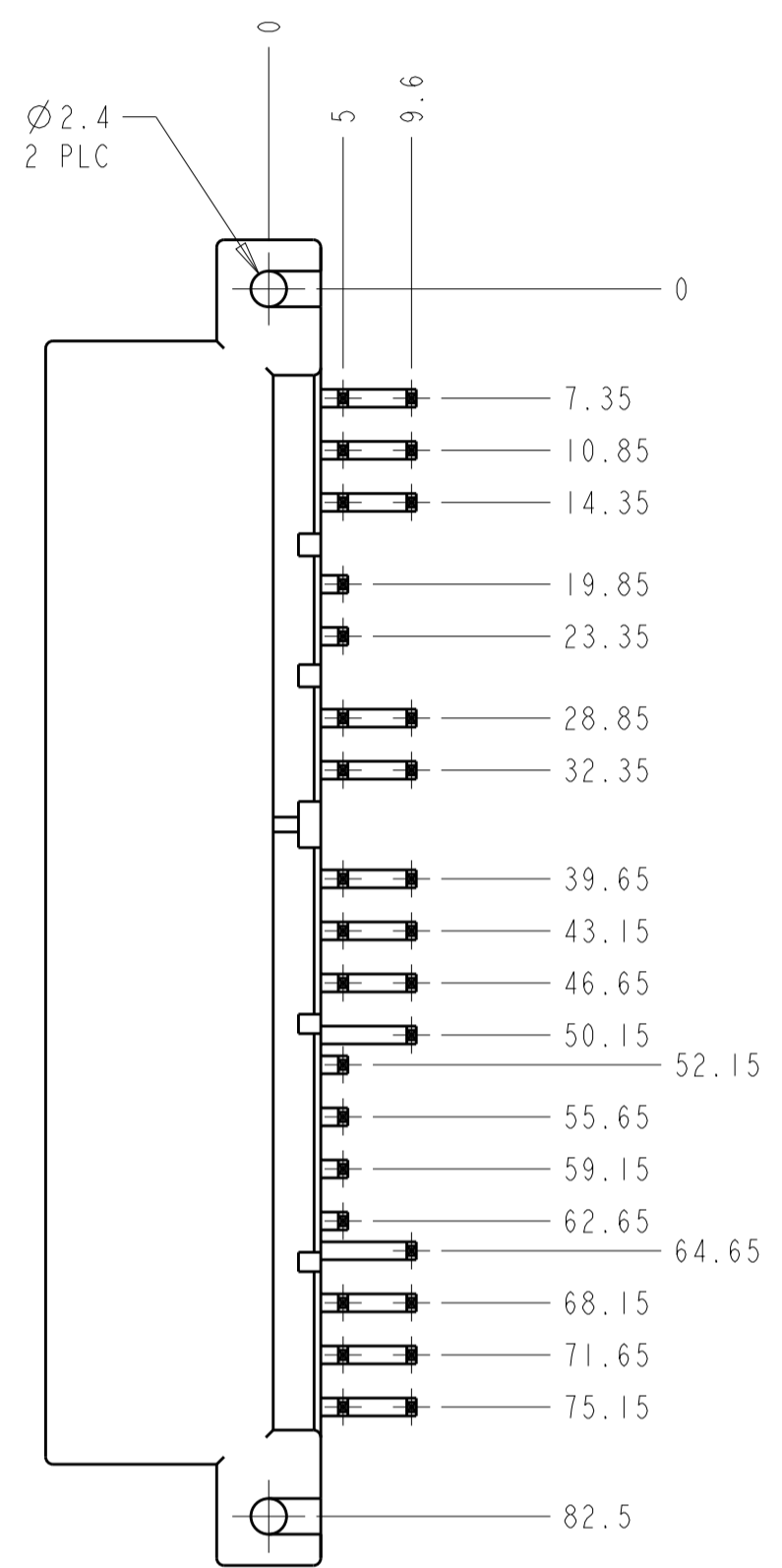
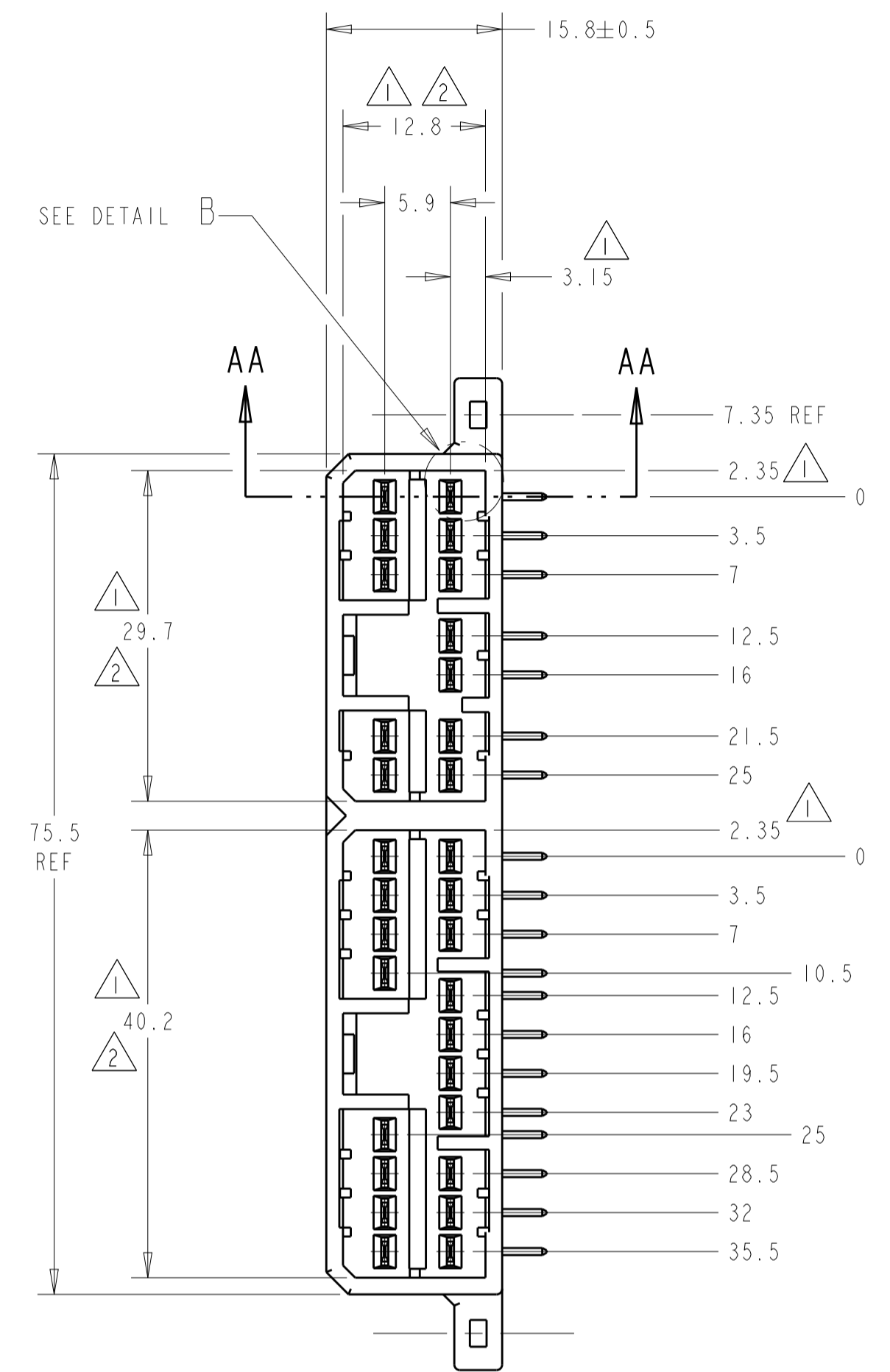
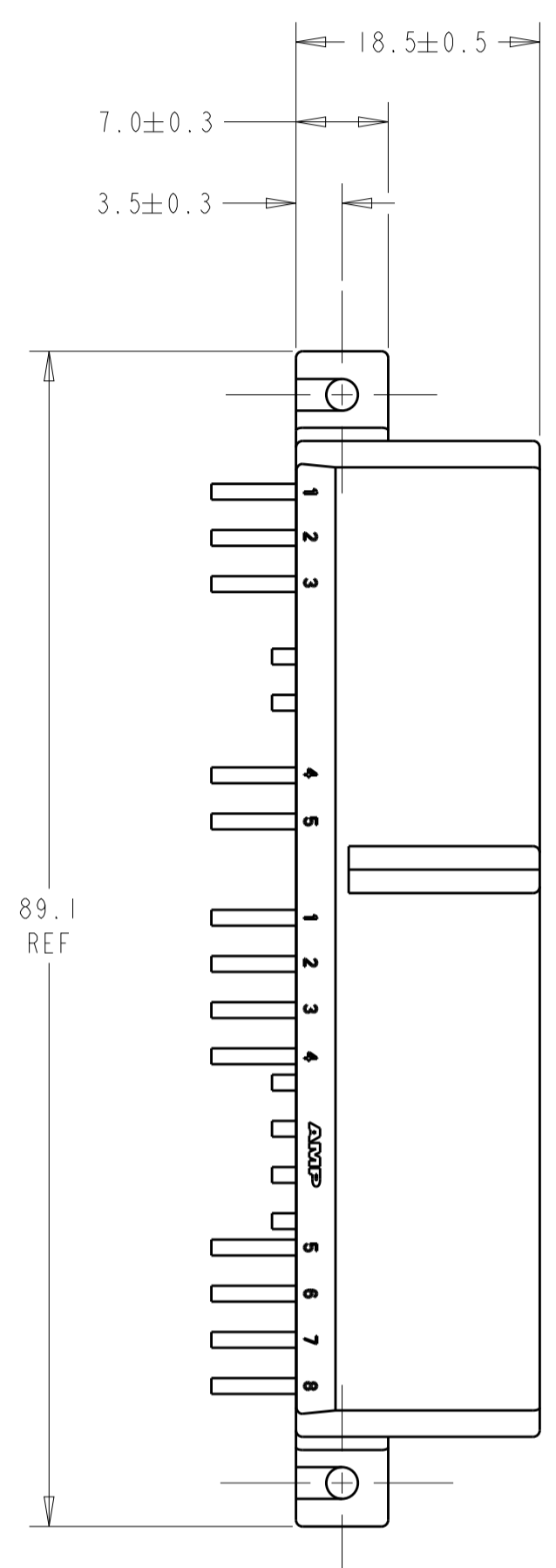


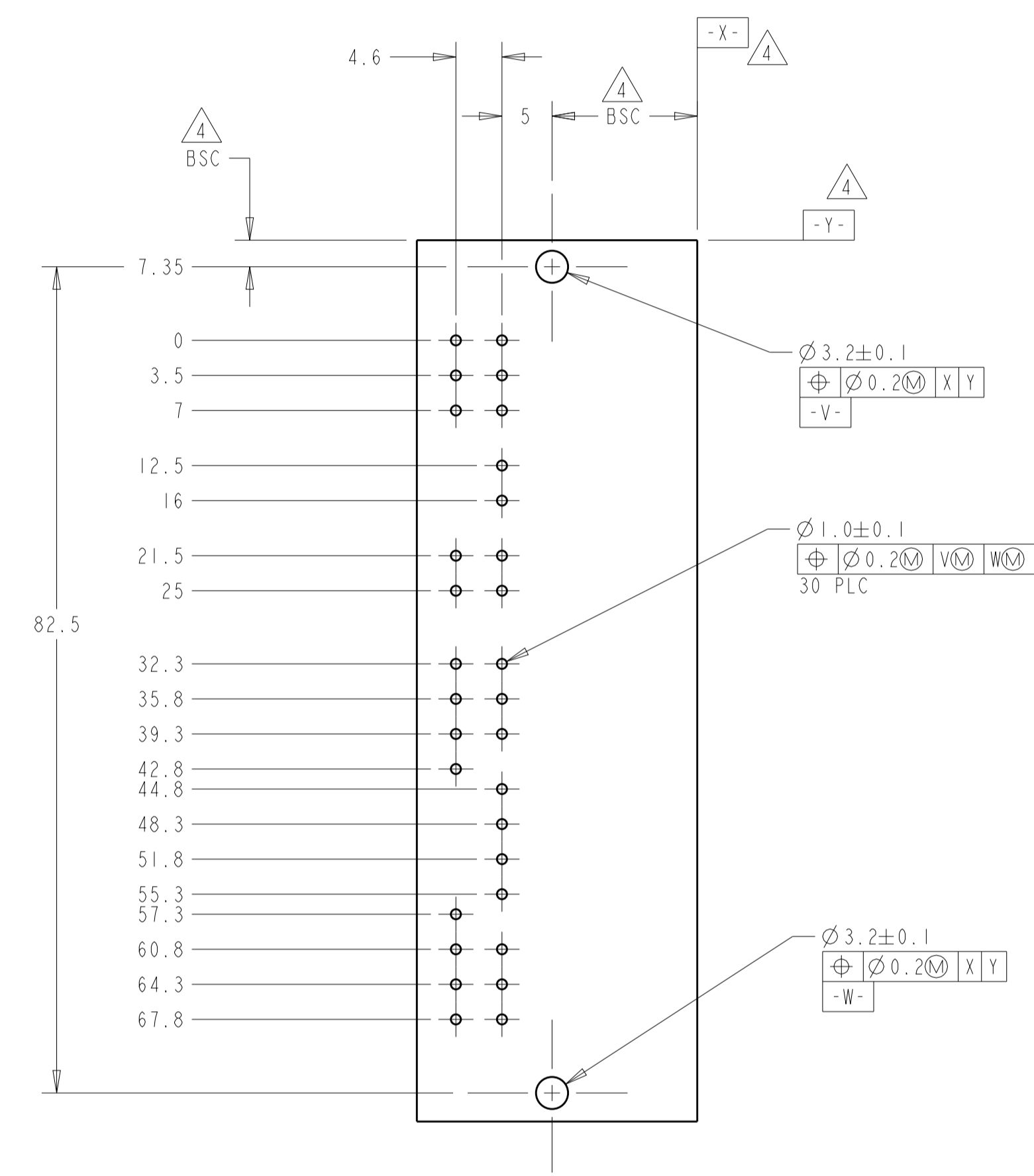
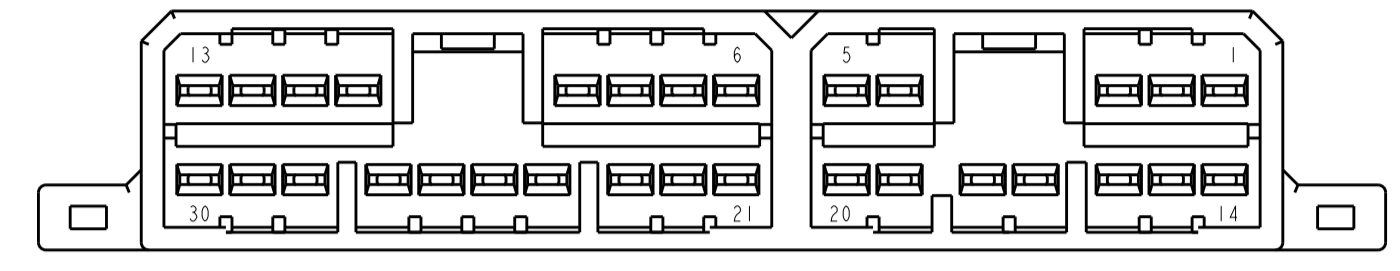
LOC	DIST	REVISIONS			
		REV	PER	DATE	BY
FX	00	A	REV PER EC OK80-0244-02	01NOV2002	RGV SSA
		A1	REV PER EC OK80-0139-03	19MAY2003	DJA SSA
		B	REVISED PER ECR-06-002241	01JUN2006	AH SA
		B1	REVISED PER ECO-19-002970	27FEB2019	JMS KF



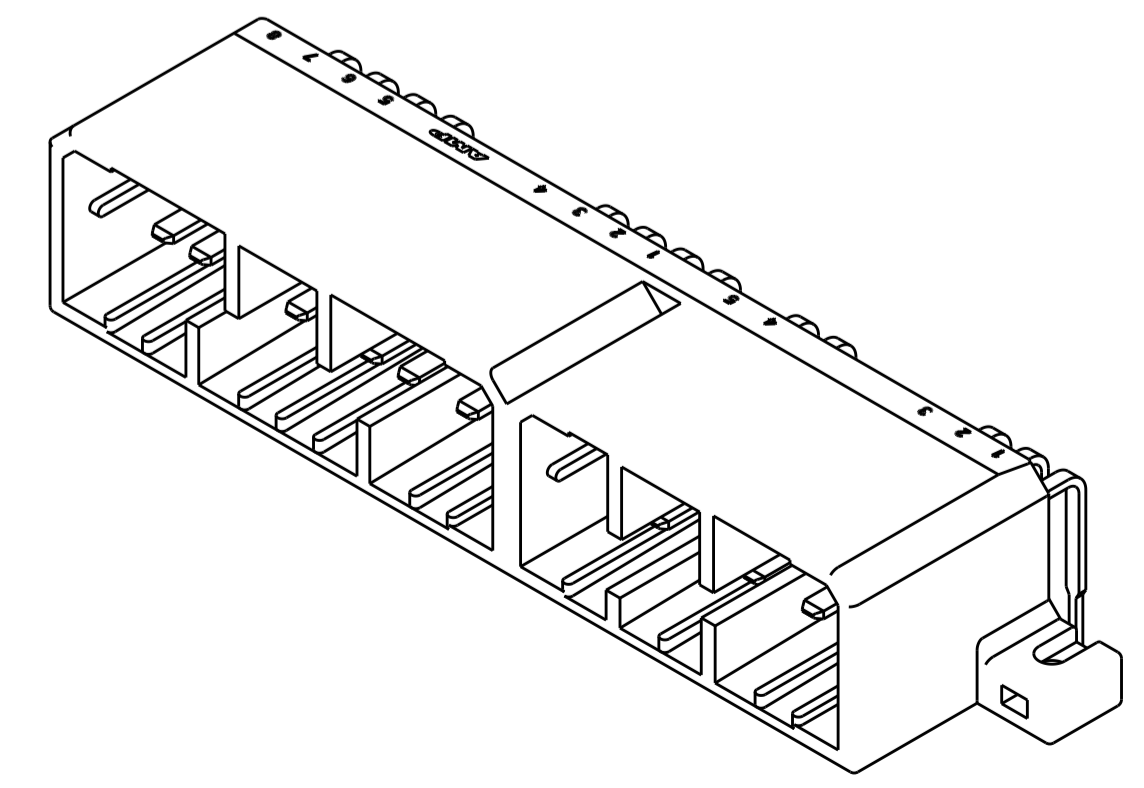
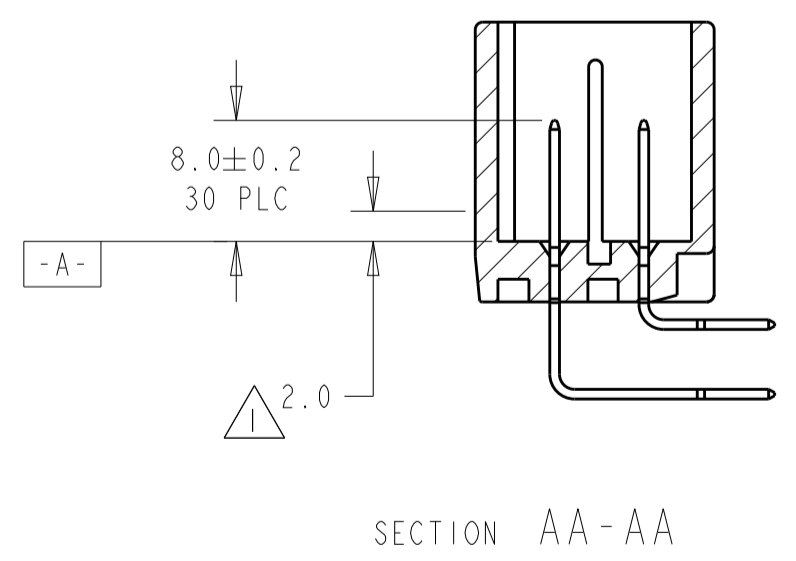
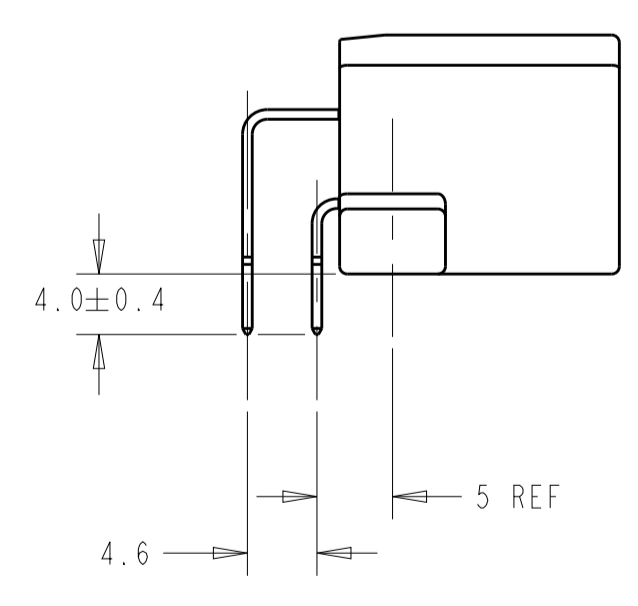
DETAIL B
SCALE 4:1



- 1. DIMENSION MUST BE HELD BETWEEN $-A-$ AND 2.0mm FROM $-A-$.
- 2. TO MATE WITH PLUG HOUSING SMOOTHLY.
- 3. USE M3 TAPPING SCREW JIS B1115 OR 1122 (TYPE 2 OR 4) BEFORE SOLDER.
- 4. DATUMS AND BASIC DIMENSIONS ESTABLISHED BY CUSTOMER.
- 5. MATING PLUG PART NUMBERS ARE:
173853 (18 POSITION)
173851 (12 POSITION)
- 7. CIRCUIT NUMBERS:



P.C. BOARD LAYOUT
RECOMMENDED BOARD THICKNESS 1.60 ± 0.15mm
TOLERANCES ± 0.1



CONTACT NUMBER	MATERIAL	FINISH	MATERIAL	COLOR	PART NO
-	BRASS	POST TIN	PBT	GREEN	4-638977-2
-	BRASS	POST TIN	PBT	WHITE	4-638977-1
1 - 30	BRASS	GOLD	PBT	GREEN	2-638977-4
1 - 30	BRASS	GOLD	PBT	WHITE	2-638977-1
-	BRASS	PRE-TIN	PBT	GRAY	638977-6
-	BRASS	PRE-TIN	PBT	GREEN	638977-4
-	BRASS	PRE-TIN	PBT	WHITE	638977-1

SELECTIVE GOLD CONTACT NUMBER	MATERIAL	FINISH	MATERIAL	COLOR	PART NO
1	BRASS	PRE-TIN	PBT	GREEN	638977-4
2	BRASS	PRE-TIN	PBT	WHITE	638977-1

CONTACT	HOUSING	PART NO
1	HOUSING	638977-1

DIMENSIONS: mm TOLERANCES UNLESS OTHERWISE SPECIFIED: 0 PLC ±0.3 1 PLC ±0.3 2 PLC ±0.30 3 PLC ± 4 PLC ± ANGLES ±1°	DIMENSIONS: mm TOLERANCES UNLESS OTHERWISE SPECIFIED: 0 PLC ±0.3 1 PLC ±0.3 2 PLC ±0.30 3 PLC ± 4 PLC ± ANGLES ±1°	DIMENSIONS: mm TOLERANCES UNLESS OTHERWISE SPECIFIED: 0 PLC ±0.3 1 PLC ±0.3 2 PLC ±0.30 3 PLC ± 4 PLC ± ANGLES ±1°
---	---	---

DIMENSIONS: mm TOLERANCES UNLESS OTHERWISE SPECIFIED: 0 PLC ±0.3 1 PLC ±0.3 2 PLC ±0.30 3 PLC ± 4 PLC ± ANGLES ±1°	DIMENSIONS: mm TOLERANCES UNLESS OTHERWISE SPECIFIED: 0 PLC ±0.3 1 PLC ±0.3 2 PLC ±0.30 3 PLC ± 4 PLC ± ANGLES ±1°	DIMENSIONS: mm TOLERANCES UNLESS OTHERWISE SPECIFIED: 0 PLC ±0.3 1 PLC ±0.3 2 PLC ±0.30 3 PLC ± 4 PLC ± ANGLES ±1°
---	---	---

DIMENSIONS: mm TOLERANCES UNLESS OTHERWISE SPECIFIED: 0 PLC ±0.3 1 PLC ±0.3 2 PLC ±0.30 3 PLC ± 4 PLC ± ANGLES ±1°	DIMENSIONS: mm TOLERANCES UNLESS OTHERWISE SPECIFIED: 0 PLC ±0.3 1 PLC ±0.3 2 PLC ±0.30 3 PLC ± 4 PLC ± ANGLES ±1°	DIMENSIONS: mm TOLERANCES UNLESS OTHERWISE SPECIFIED: 0 PLC ±0.3 1 PLC ±0.3 2 PLC ±0.30 3 PLC ± 4 PLC ± ANGLES ±1°
---	---	---

DIMENSIONS: mm TOLERANCES UNLESS OTHERWISE SPECIFIED: 0 PLC ±0.3 1 PLC ±0.3 2 PLC ±0.30 3 PLC ± 4 PLC ± ANGLES ±1°	DIMENSIONS: mm TOLERANCES UNLESS OTHERWISE SPECIFIED: 0 PLC ±0.3 1 PLC ±0.3 2 PLC ±0.30 3 PLC ± 4 PLC ± ANGLES ±1°	DIMENSIONS: mm TOLERANCES UNLESS OTHERWISE SPECIFIED: 0 PLC ±0.3 1 PLC ±0.3 2 PLC ±0.30 3 PLC ± 4 PLC ± ANGLES ±1°
---	---	---

单击下面可查看定价，库存，交付和生命周期等信息

[>>TE Connectivity\(泰科\)](#)