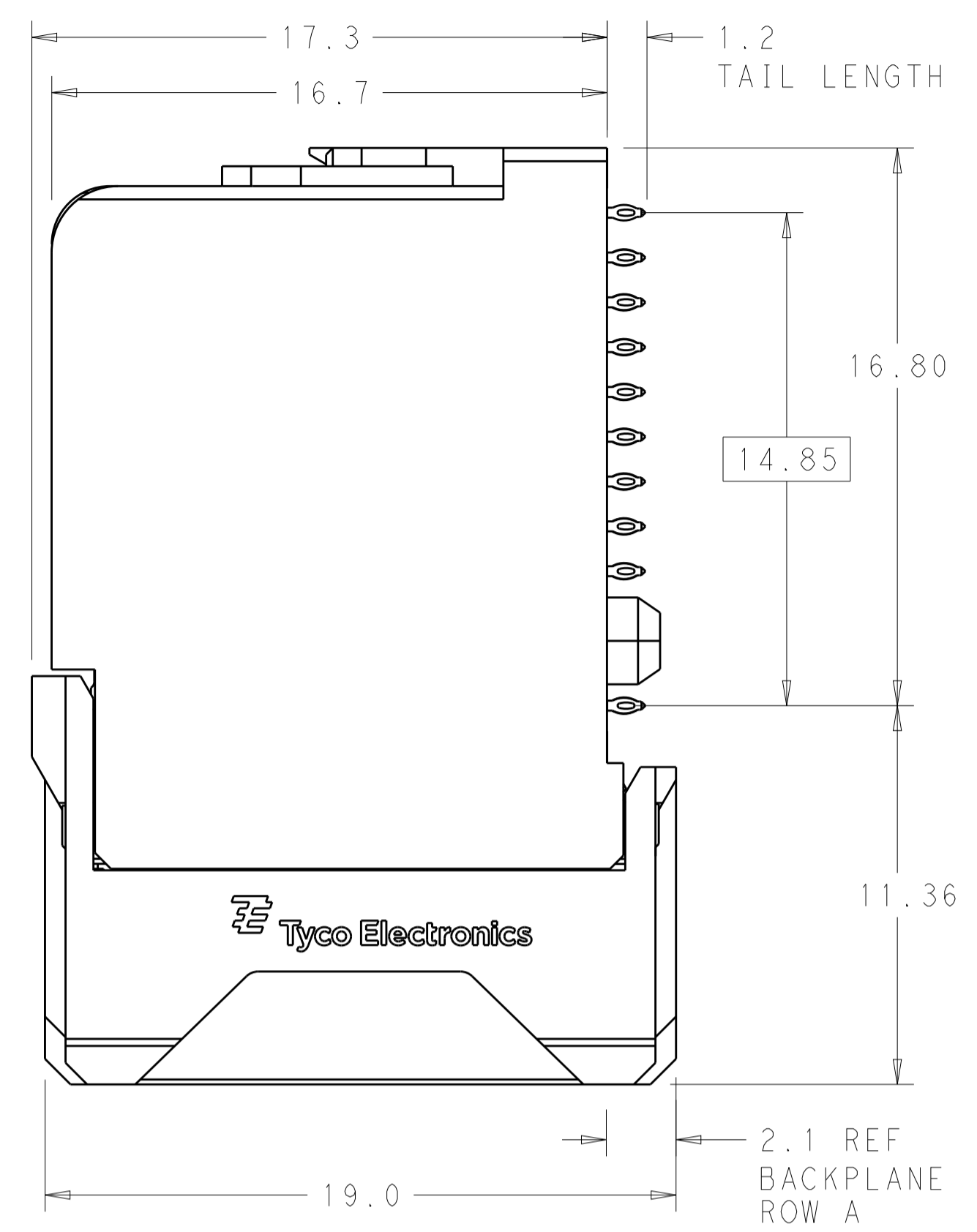
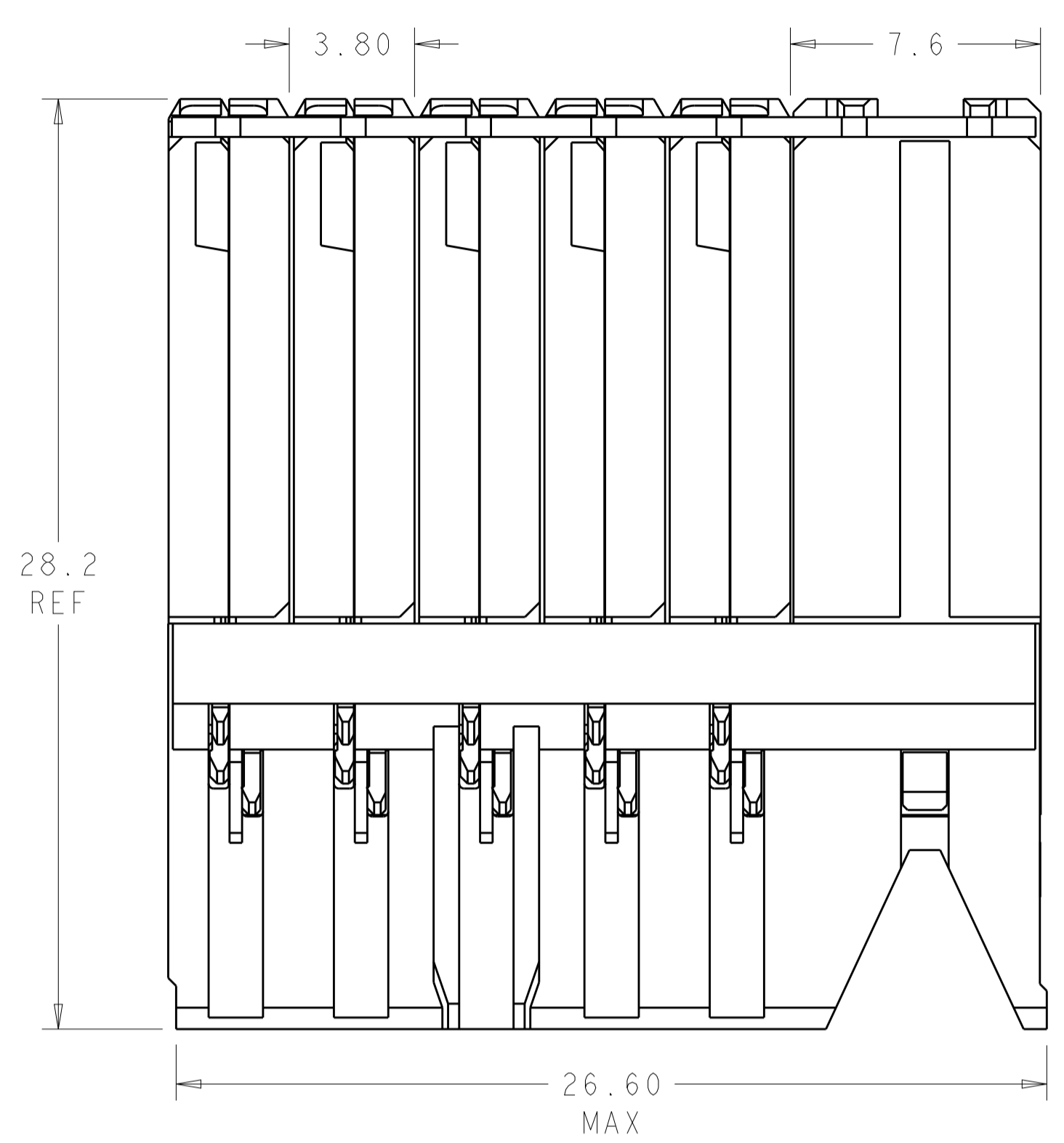
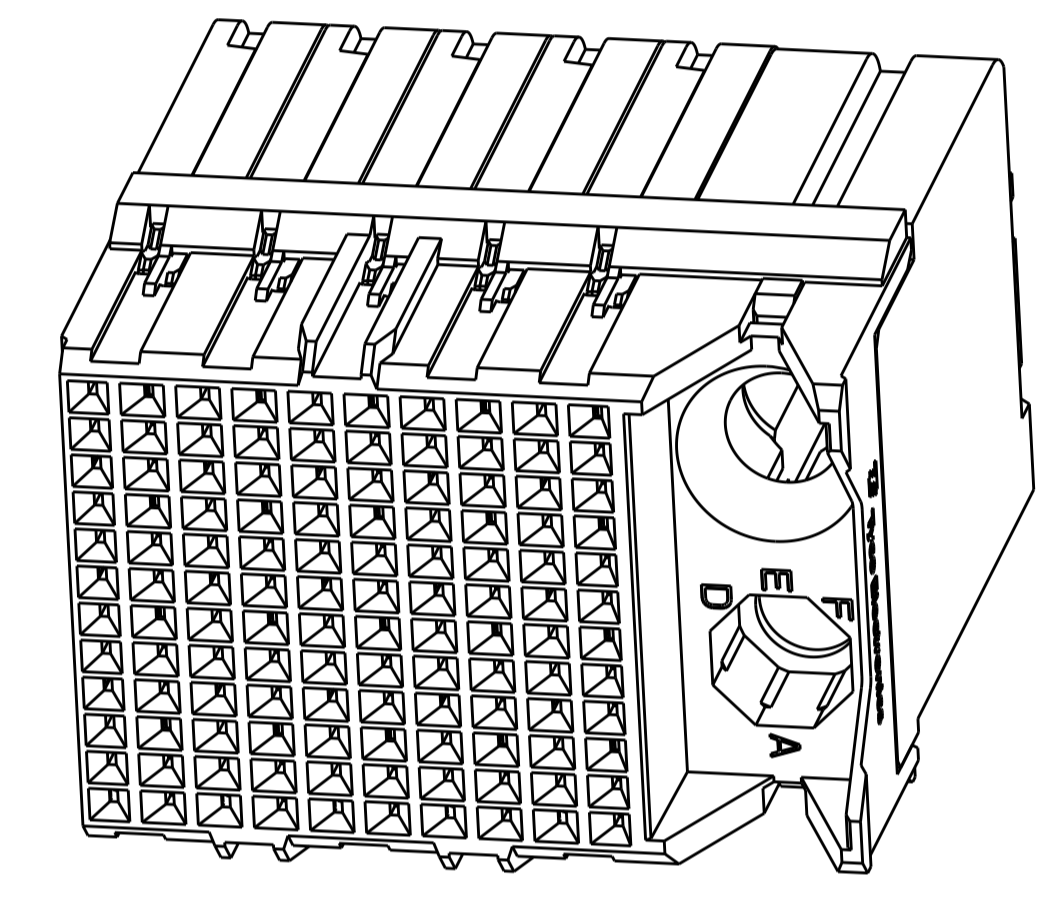


LOC		DIST		REVISIONS			
AD	00	P	LTN	DESCRIPTION	DATE	DWN	APVD
		B1		REVISED PER ECO-14-018036	17FEB2015	AP	DD

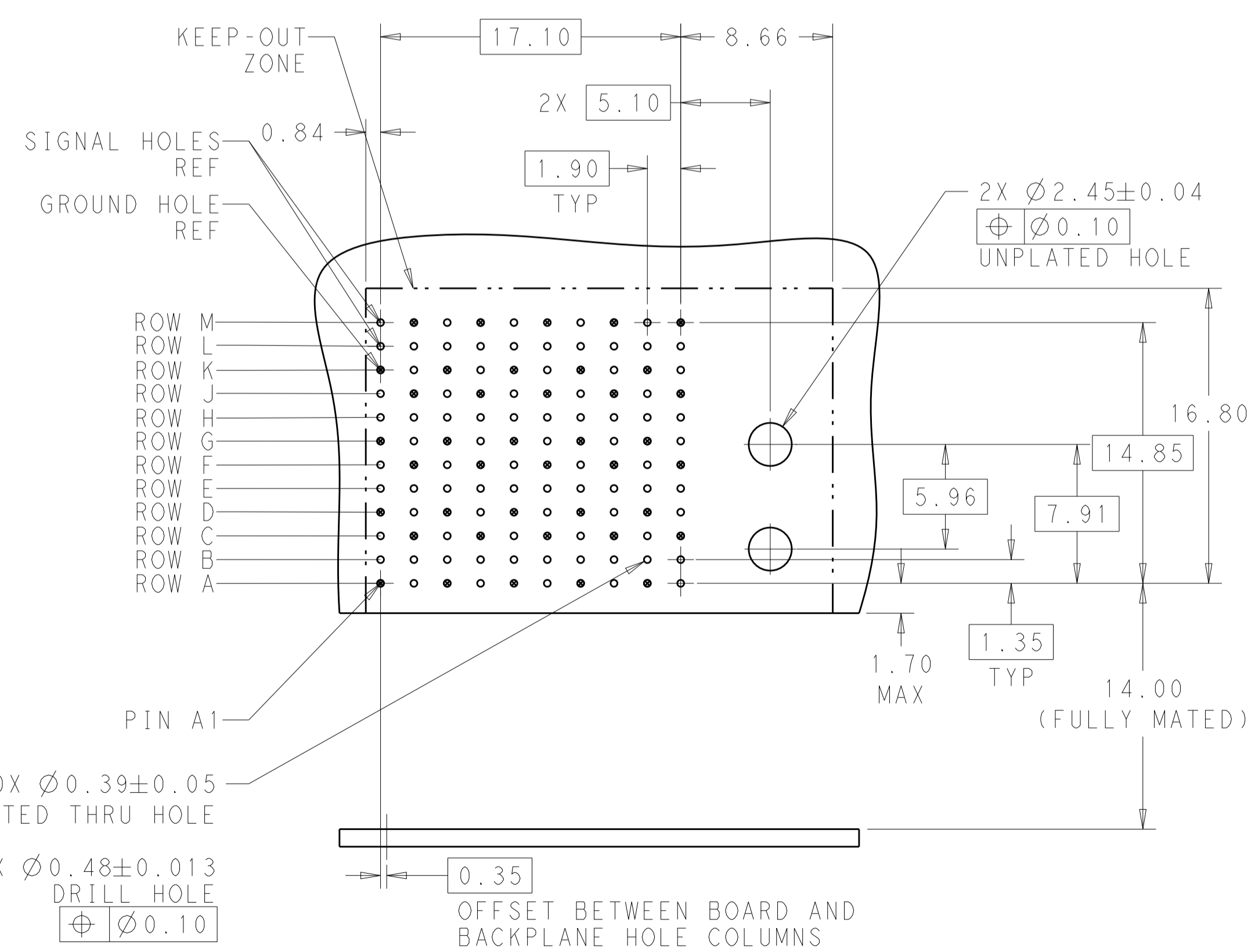
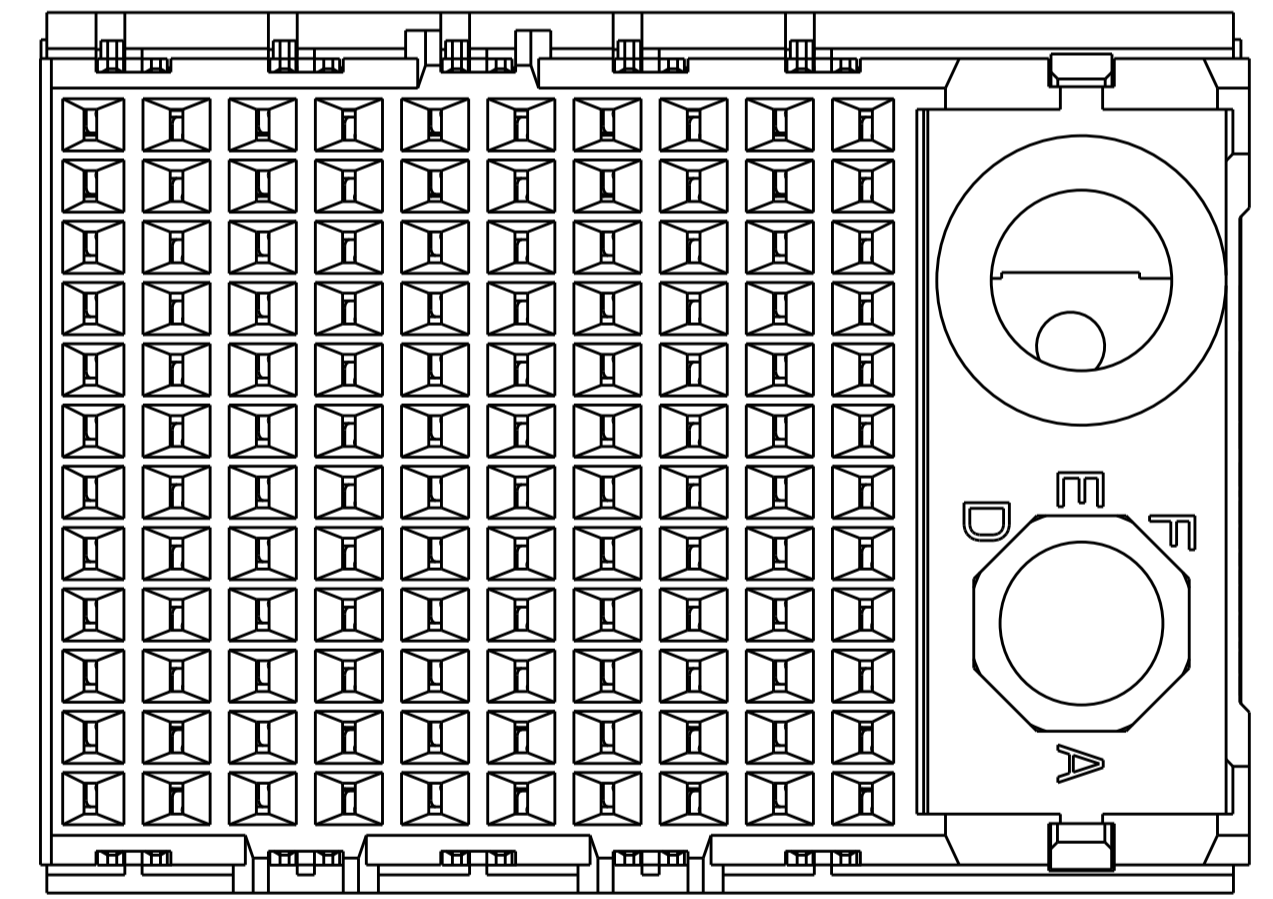


- ⚠ MATERIAL:
HOUSING: LCP, GLASS FILLED, UL94V-0.
TERMINALS: HIGH PERFORMANCE COPPER ALLOY.
- ⚠ FINISH:
30µ" SELECTIVE GOLD IN CONTACT AREA. SELECTIVE TIN ON PCB TAILS, NICKEL OVERALL.
- ⚠ CONNECTORS SUPPLIED WITH MOUNTING SCREWS.



SCALE 4:1

REFER TO WWW.TE.COM FOR PRODUCT AVAILABILITY



KEY POSITION CHART	
	NONE
	A
	B
	C
	D
	E
	F
	G
	H

H	⚠	8-2007716-1
G	⚠	7-2007716-1
F	⚠	6-2007716-1
E	⚠	5-2007716-1
D	⚠	4-2007716-1
C	⚠	3-2007716-1
B	⚠	2-2007716-1
A	⚠	1-2007716-1
NONE	⚠	2007716-1
KEY POSITION	FINISH	PART NUMBER

THIS DRAWING IS A CONTROLLED DOCUMENT.

DIMENSIONS:	TOLERANCES UNLESS OTHERWISE SPECIFIED:	DWN: J. MILLER 27DEC2010	NAME: IMPACT, 4 PAIR, DAUGHTERCARD 10 COLUMN, RIGHT GUIDED, SIGNAL MODULE, 0.36 EYELET
mm	0 PLC ±0.2	CHK: D. DIXON 27DEC2010	PRODUCT SPEC
	2 PLC ±0.13	APVD: D. DIXON 27DEC2010	APPLICATION SPEC
	3 PLC ±0.13	SIZE: CAGE CODE DRAWING NO	RESTRICTED TO
	4 PLC ±0.13	WEIGHT	A100779C=2007716
MATERIAL	FINISH: SEE TABLE	CUSTOMER DRAWING	SCALE: 6:1 SHEET 1 OF 1 REV: B1

单击下面可查看定价，库存，交付和生命周期等信息

[>>TE Connectivity\(泰科\)](#)