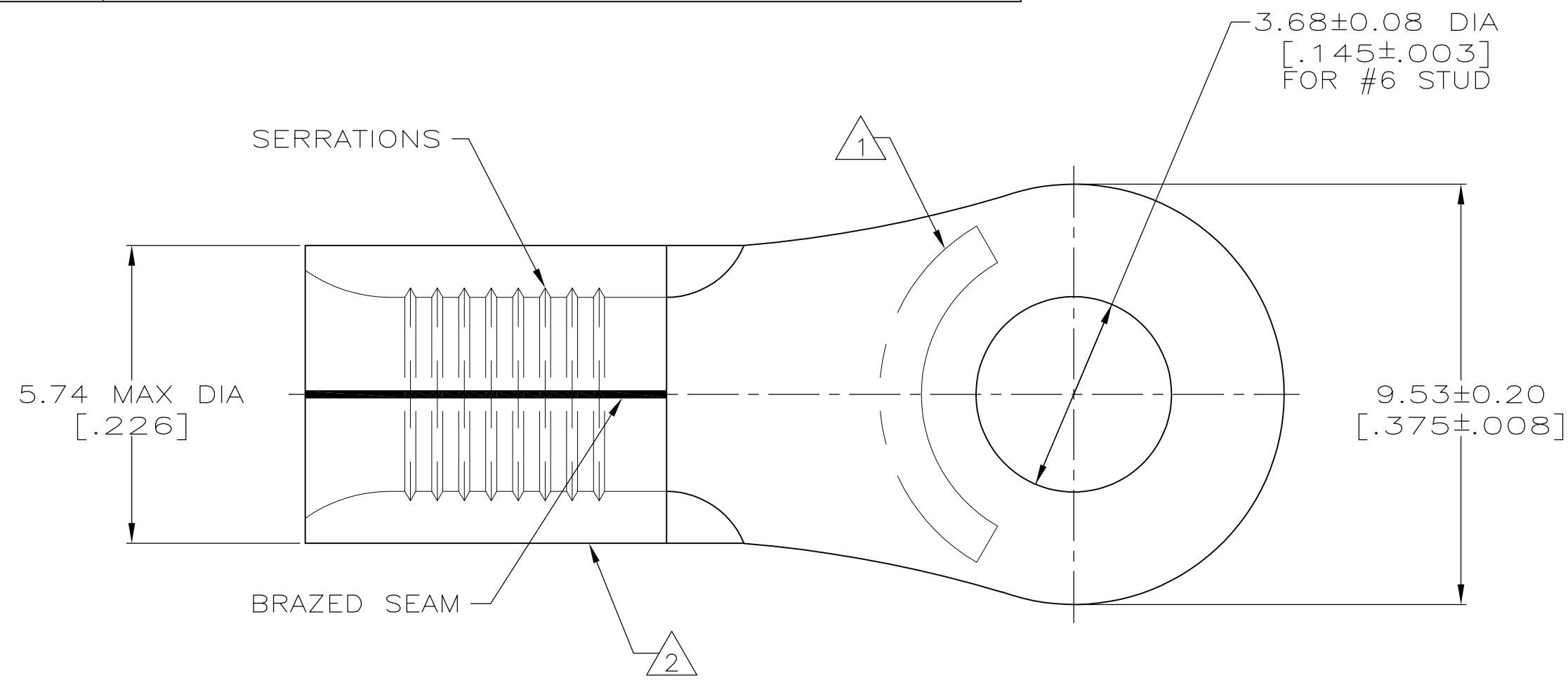


THIS DRAWING IS UNPUBLISHED. RELEASED FOR PUBLICATION  
 © COPYRIGHT - By - ALL RIGHTS RESERVED.

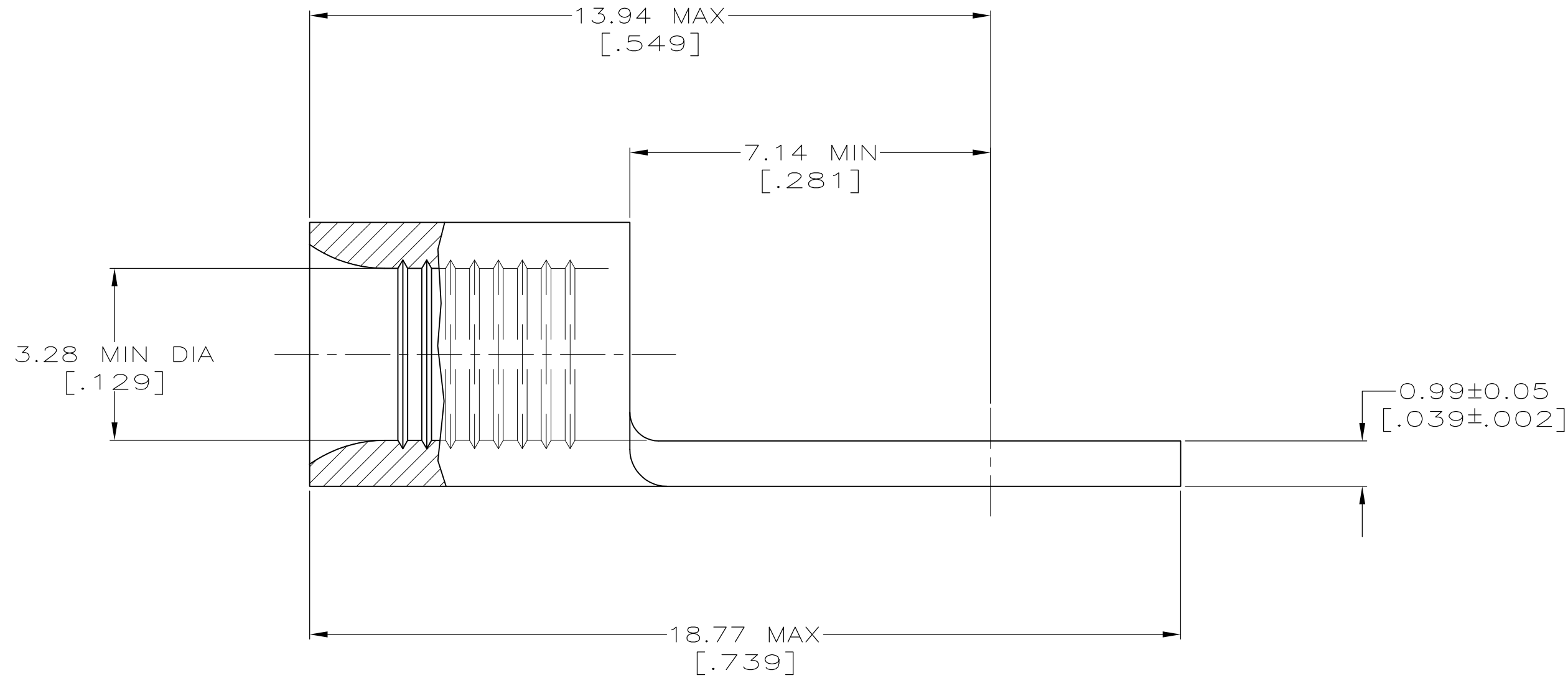
LOC	DIST	REVISIONS			
P	LTR	DESCRIPTION	DATE	DWN	APVD
G	14	G2	REVISED PER ECO-12-011609	22JUN12	KH DR



**AMP**  
WIRE RANGE

12-10 AWG  
SOLID OR STRANDED

- 1 STAMP AMP 12-10 APPROX AS SHOWN.
- 2 WIRE BARREL COLOR CODED ORANGE TO DENOTE NICKEL MATERIAL.
- 3 NICKEL PER ASTM B-162, ANNEALED.
- 4 NOTE DELETED.



2500	ON TAPE & REEL	2-323059-3
500	LOOSE PIECE	323059
QTY	PACKAGE TYPE	PART NUMBER

<b>AMP INCORPORATED CUSTOMER SERVICE SYSTEMS</b>		MAX RECOMMENDED OPERATING TEMPERATURE: 649°C[1200°F]
FOR ADDITIONAL PRODUCT INFORMATION OR COPIES OF DRAWINGS AND TECHNICAL DOCUMENTS	PRODUCT INFORMATION CENTER 1-800-522-6752	VOLTAGE RATING: N/A
FOR APPLICATION TOOLING INFORMATION	TOOLING ASSISTANCE CENTER 1-800-722-1111	CIRCULAR MIL AREA: 2.62-6.64mm² [5,180-13,100] SOLID OR STRANDED
FOR ORDER ENTRY	1-800-526-5142	THIS DRAWING IS A CONTROLLED DOCUMENT FOR AMP INCORPORATED. IT IS SUBJECT TO CHANGE AND THE CONTROLLING ENGINEERING ORGANIZATION SHOULD BE CONTACTED FOR THE LATEST REVISION.

THIS DRAWING IS A CONTROLLED DOCUMENT.		DWN TA BRINKMAN 4-16-93	<b>TE</b> TE Connectivity	
DIMENSIONS: mm [INCHES]		CHK DA PATTERSON 4-16-93		
TOLERANCES UNLESS OTHERWISE SPECIFIED:		APVD JL MECKLEY 4-16-93	NAME TERMINAL, RING TONGUE, HIGH TEMPERATURE, STRATO-THERM	
0 PLC ± - 1 PLC ± - 2 PLC ± - 3 PLC ± - 4 PLC ± - ANGLES ± -		PRODUCT SPEC -	SIZE A2	
MATERIAL 3		FINISH -	CAGE CODE 00779	DRAWING NO C=323059
CUSTOMER DRAWING		WEIGHT -	SCALE 10:1	SHEET 1 OF 1
		REV G2	RESTRICTED TO -	

单击下面可查看定价，库存，交付和生命周期等信息

[>>TE Connectivity\(泰科\)](#)