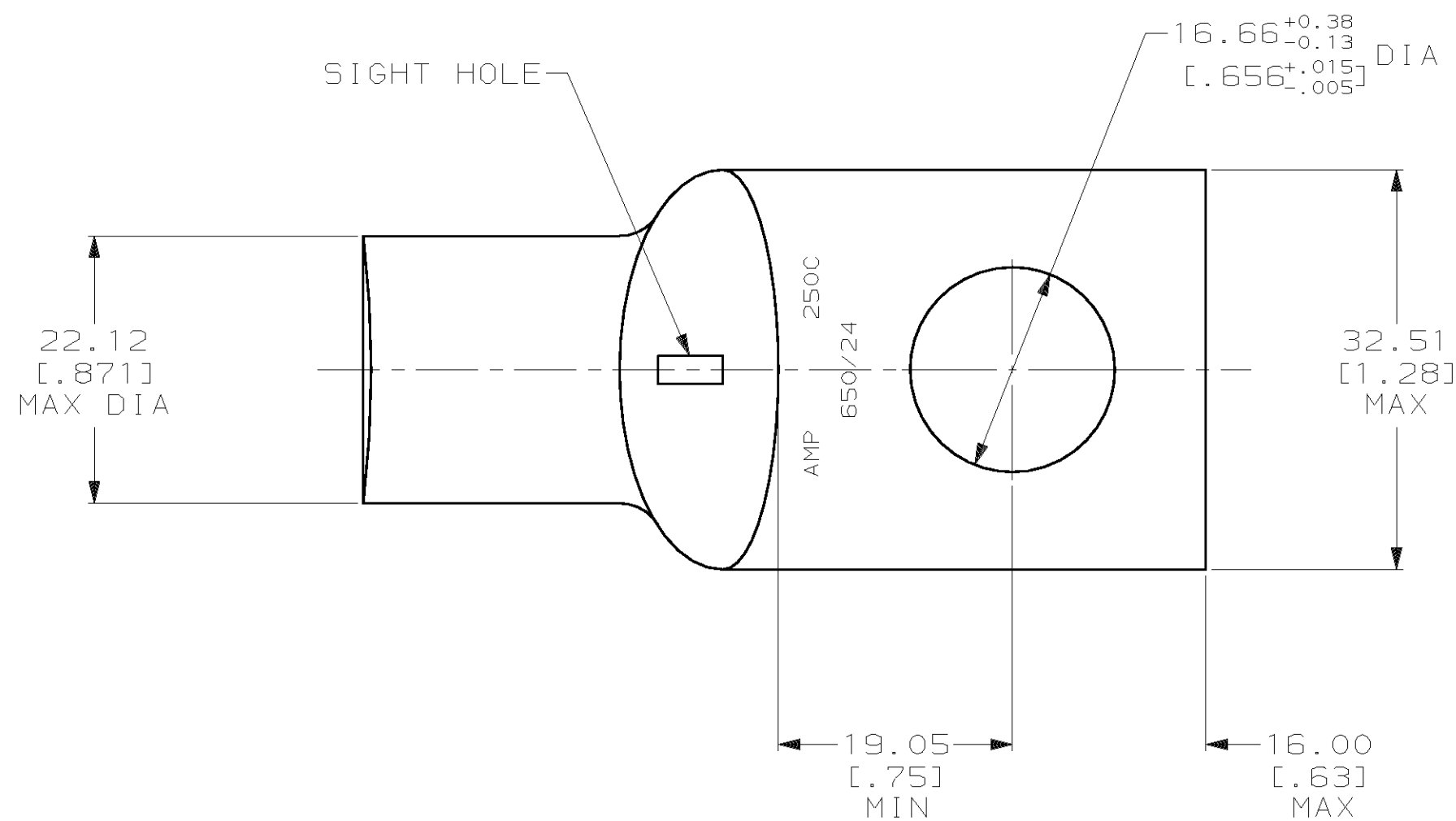
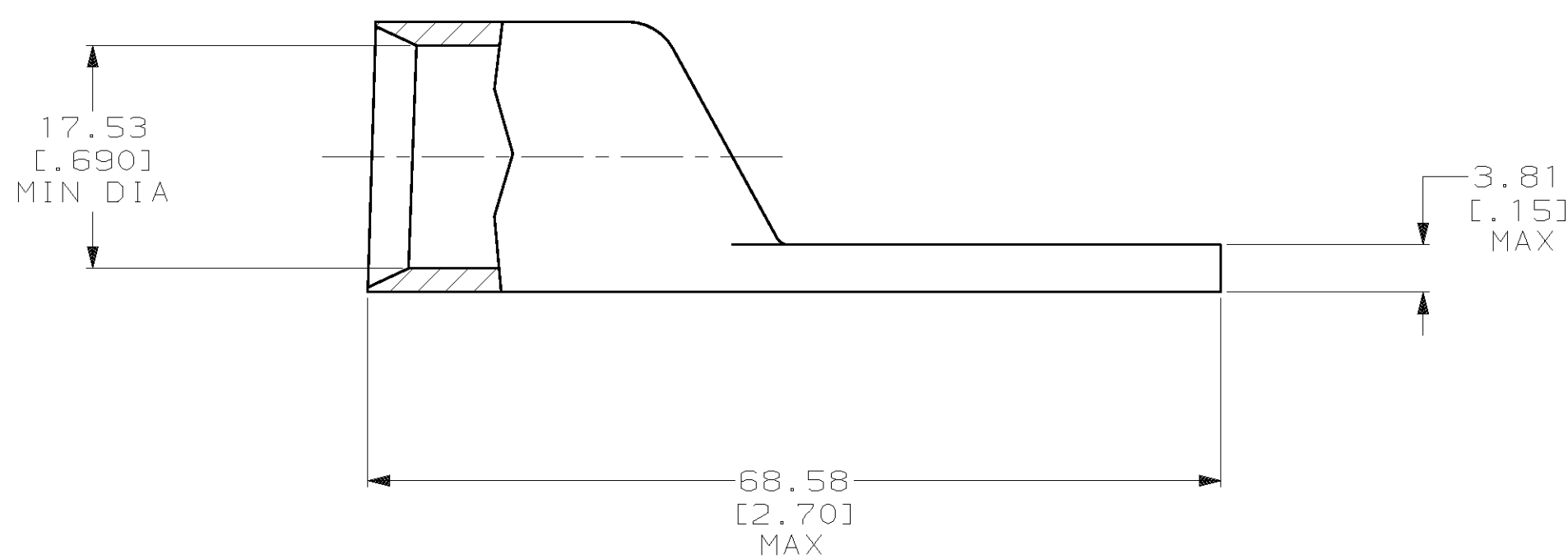


THIS DRAWING IS UNPUBLISHED. RELEASED FOR PUBLICATION ,19 .  
 © COPYRIGHT 19 BY AMP INCORPORATED. ALL INTERNATIONAL RIGHTS RESERVED.

LOC		DIST		P		F		ZONE		LTR		REVISIONS		DATE	APPD
G		86								N		REV PER 0G3A-0561-01		08OCT02	JR/MS



1 CIRCULAR MIL AREA RANGE: 231-275 MCM  
 2 TIN PL 0.00381 [0.000150] MIN THK PER MIL-T-10727



325707

B

A

325707  
PART NO

DO NOT SCALE PRINT. UNLESS SPECIFIED DIMENSIONS IN mm [INCHES] TOLERANCES ON : 2 PLC DEC ± 0.51 [0.020] 3 PLC DEC ± - ANGLES ± -	DR 03/16/90 DK SCHRUM	AMP INCORPORATED Harrisburg, Pa. 17105
	CHK 20JAN95 MS FEHER	
MATERIAL  ANNEALED COPPER ASTM B-75	APPD 20JAN95 WJ VOCKROTH	NAME
	APPD 20JAN95 TL SHUTTER	TERMINAL, AMPOWER, WIRE SIZE: 250 MCM
FINISH  2	PRODUCT SPEC 108-30200	SIZE
	APPLICATION SPEC -	CAGE CODE 00779
WEIGHT .123 LB	SCALE 2:1	DRAWING NO 325707
		SHEET 1 OF 1



单击下面可查看定价，库存，交付和生命周期等信息

[>>TE Connectivity\(泰科\)](#)