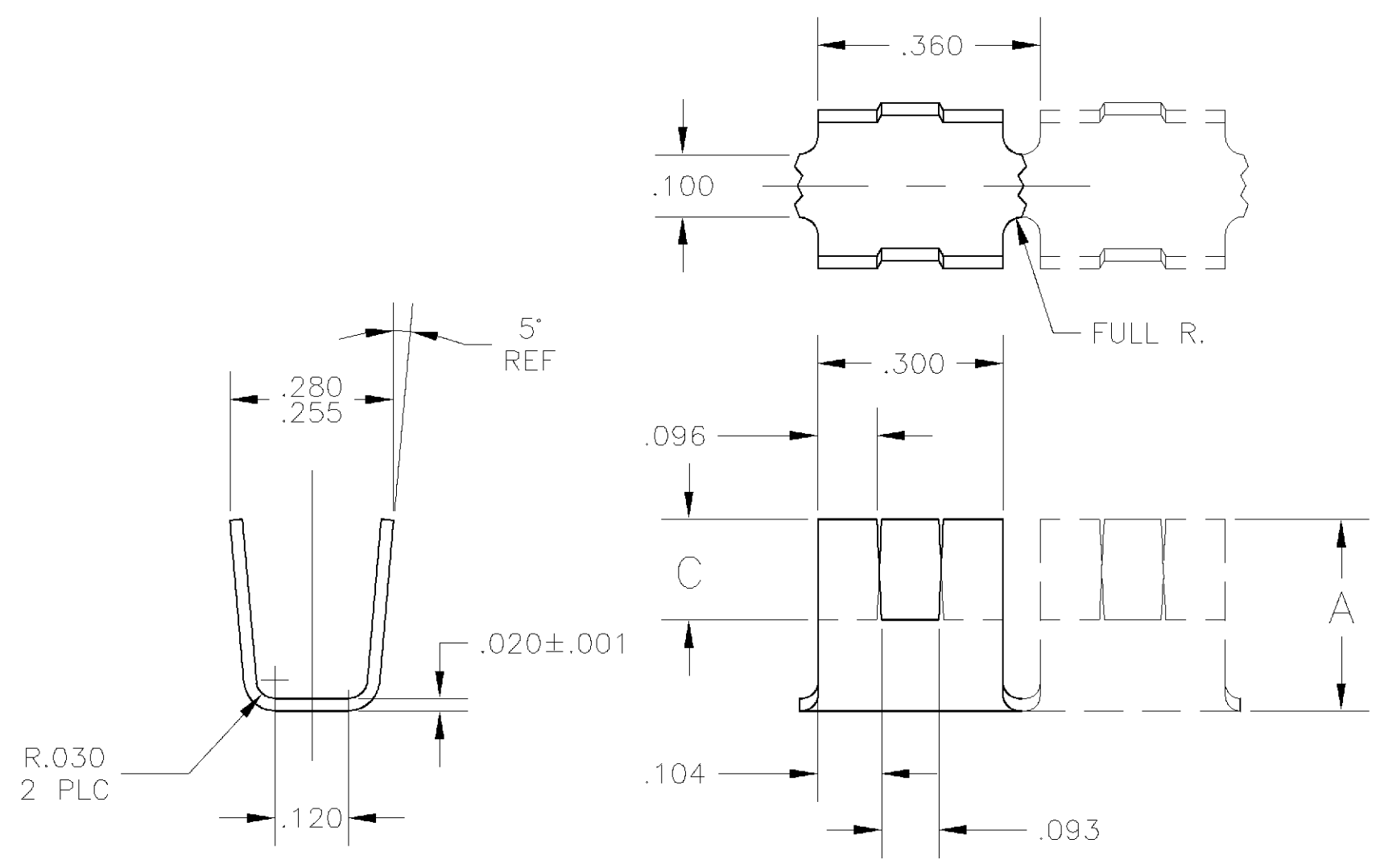


THIS DRAWING IS UNPUBLISHED. RELEASED FOR PUBLICATION
 © COPYRIGHT BY TYCO ELECTRONICS CORPORATION. ALL RIGHTS RESERVED.

| | | | | | | | |
|-----|------|-----------|-----|-------------|---------|-----|------|
| LOC | DIST | REVISIONS | | | | | |
| AF | 50 | P | LTR | DESCRIPTION | DATE | DWN | APVD |
| | | | 0 | REDRAWN | 17JAN02 | JR | GP |



| | | | | |
|--------------|--------|-------------------------------------|---------|---------------|
| C01CA-W330R0 | .345 | .825 | .198 | 1438254-2 |
| C01CA-R330R0 | .310 | .750 | .162 | 1438254-1 |
| PART NO. | A ±.01 | B ^{+.000} _{-.005} | C ±.010 | TYCO PART NO. |

| | | | | | | | |
|--|--|------------------|---------|-----------|--|--------------------|--|
| THIS DRAWING IS A CONTROLLED DOCUMENT. | | DWN | JR RUTH | 17JAN2002 | Tyco Electronics Corporation City, State, Zip | | |
| DIMENSIONS: INCHES | | CHK | G PORTA | 17JAN02 | | | |
| TOLERANCES UNLESS OTHERWISE SPECIFIED: | | APVD | G PORTA | 17JAN02 | PRODUCT SPEC - APPLICATION SPEC - | | |
| 0 PLC ± - 1 PLC ± - 2 PLC ± - 3 PLC ± .010 4 PLC ± - ANGLES ± - | | MATERIAL | | FINISH | | | |
| H 14 ALUMINUM | | CUSTOMER DRAWING | | SCALE 4:1 | | SHEET 1 OF 1 REV 0 | |

单击下面可查看定价，库存，交付和生命周期等信息

[>>TE Connectivity\(泰科\)](#)