

THIS DRAWING IS UNPUBLISHED.

RELEASED FOR PUBLICATION

20

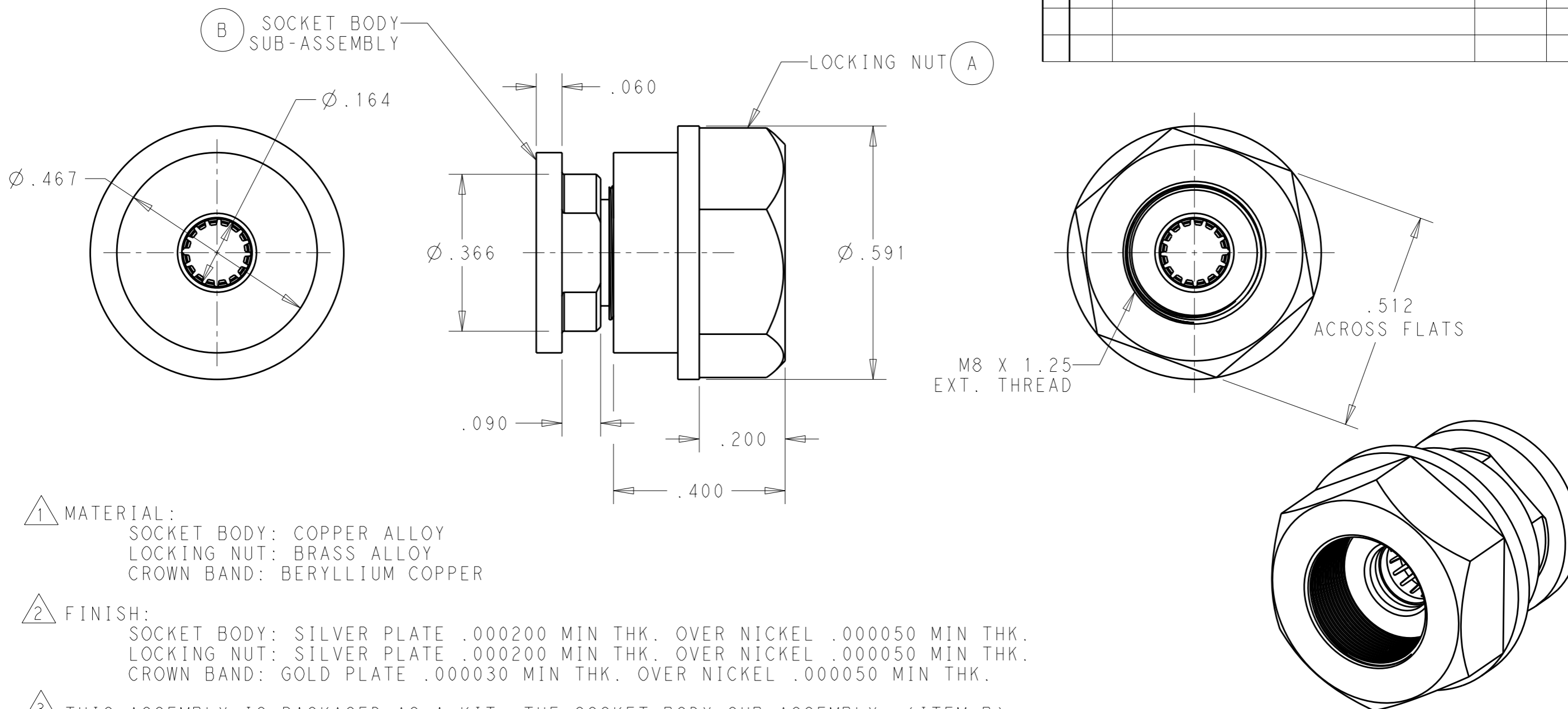
© COPYRIGHT 20

BY TYCO ELECTRONICS CORPORATION. ALL INTERNATIONAL RIGHTS RESERVED.

LOC GP DIST 00

REVISIONS

P	LTR	DESCRIPTION	DATE	DWN	APVD
	B	REV PER ECO-10-018470	10SEP2010	RG	DO



1 MATERIAL:
 SOCKET BODY: COPPER ALLOY
 LOCKING NUT: BRASS ALLOY
 CROWN BAND: BERYLLIUM COPPER

2 FINISH:
 SOCKET BODY: SILVER PLATE .000200 MIN THK. OVER NICKEL .000050 MIN THK.
 LOCKING NUT: SILVER PLATE .000200 MIN THK. OVER NICKEL .000050 MIN THK.
 CROWN BAND: GOLD PLATE .000030 MIN THK. OVER NICKEL .000050 MIN THK.

3 THIS ASSEMBLY IS PACKAGED AS A KIT. THE SOCKET BODY SUB-ASSEMBLY (ITEM B) AND LOCKING NUT (ITEM A) ARE PACKAGED SEPARATELY AND PLACED IN THE BOX TOGETHER.

4. 14 in-lbs MAX TORQUE

3	1	2085459-1	SOCKET BODY ASSY	B
3	1	2085457-1	LOCKING NUT	A
	-1	PART NUMBER	DESCRIPTION	ITEM

<small>THIS DRAWING IS A CONTROLLED DOCUMENT FOR TYCO ELECTRONICS CORPORATION IT IS SUBJECT TO CHANGE AND THE CONTROLLING ENGINEERING ORGANIZATION SHOULD BE CONTACTED FOR THE LATEST REVISION.</small>		DWN R.GRZYBOWSKI 28APR2010 CHK D.ORRIS 28APR2010 APVD M.PERCHERKE 28APR2010		Tyco Electronics Tyco Electronics Harrisburg, PA 17105-3608	
DIMENSIONS: INCHES 		TOLERANCES UNLESS OTHERWISE SPECIFIED: 0 PLC ±- 1 PLC ±- 2 PLC ±.01 3 PLC ±.005 4 PLC ±- ANGLES ±-		NAME SOCKET ASSEMBLY, CROWN INSERT SIZE No.8 PRINTED CIRCUIT BOARD SOCKET	
MATERIAL - 1		FINISH - 2		PRODUCT SPEC - APPLICATION SPEC - WEIGHT -	
CUSTOMER DRAWING			SIZE A3 CAGE CODE 00779 DRAWING NO C-2085460	RESTRICTED TO -	
SCALE 4:1			SHEET 1 OF 1		REV B

单击下面可查看定价，库存，交付和生命周期等信息

[>>TE Connectivity\(泰科\)](#)