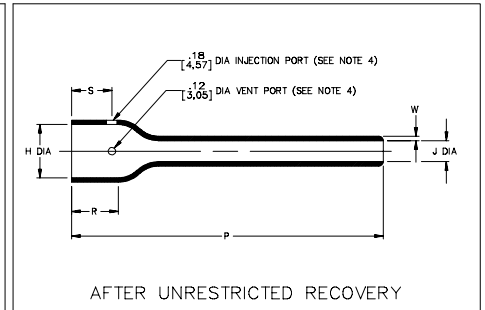
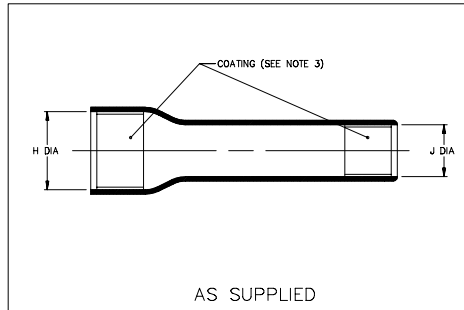


Thermofit Molded Parts Specification Control Drawing

Part Number : 202A212 thru 264
Description : Boot, Long

NOTES

- All dimensions are in $\frac{\text{inches}}{\text{[millimeters]}}$; $\frac{\text{lbs}}{\text{[gms]}}$
- Dimensions appearing in table are as follows:
a - As Supplied
b - After Unrestricted Recovery
- Coating is optional. As specified dimensions appearing in table are for uncoated parts. When coating is added, entry diameters will be reduced by .06 max.
- Molding ports are optional. When -00 modification number is specified molding ports will be located as shown.
- Weight shown in table of dimensions is based on polyolefin part.



PART NUMBER	H		J		P	R	S	W	Weight
	Min	Max	Min	Max					
	a	b	a	b					
202A212	.88 [22,4]	.62 [15,7]	.40 [10,2]	.23 [5,8]	5.00 [127,0]	.62 [15,7]	.50 [12,7]	.08 [2,03]	.018 [8,2]
202A222	.88 [22,4]	.62 [15,7]	.48 [12,2]	.27 [6,9]	5.00 [127,0]	.62 [15,7]	.50 [12,7]	.08 [2,03]	.021 [9,5]
202A233	1.20 [30,5]	.78 [19,8]	.60 [15,2]	.34 [8,6]	5.75 [146,1]	.62 [15,7]	.50 [12,7]	.09 [2,29]	.031 [14,1]
202A243	1.45 [36,8]	.94 [23,9]	.80 [20,3]	.44 [11,2]	6.38 [162,1]	.88 [22,4]	.76 [19,3]	.09 [2,29]	.042 [19,1]
202A254	1.76 [44,7]	1.34 [34,0]	.92 [23,4]	.55 [14,0]	7.06 [179,3]	1.00 [25,4]	.76 [19,3]	.10 [2,54]	.048 [21,8]
202A264	2.26 [57,4]	1.61 [40,9]	1.16 [29,5]	.71 [18,0]	7.06 [179,3]	1.00 [25,4]	.76 [19,3]	.10 [2,54]	.051 [23,1]

Raychem

RAYCHEM CORPORATION
300 CONSTITUTION DRIVE
MENLO PARK, CALIFORNIA 94025
(415) 361-6055

Revision : M
Date : 3/5/92

Part Number : 202A212 thru 264
Description : Boot, Long

Thermofit Molded Parts Specification Control Drawing

Part Number : 202A212 thru 264
Description : Boot, Long

MATERIAL DASH NO.	MATERIAL DESCRIPTION	RT SPEC	COATING SLASH NO.	COATING S NO.	COATING DESCRIPTION
-3	Polyolefin, Semi-rigid	RT-301	/42;/86	S-1017;S-1048	Adhesive
-4	Polyolefin, Flexible	RT-1304	/42;/86	S-1017;S-1048	Adhesive
-5	Elastomer, Flexible	RT-501	/42	S-1017	Adhesive
-6	Silicone	RT-602	N/A		
-12	*WITON, Flexible	RT-1312	N/A		
-25	Elastomer, Fluid Resistant	RT-1325	N/A		

*WITON is a Registered Trademark of Dupont

**If this document is printed it becomes uncontrolled.
Check for the latest revision.**

ORDERING INFORMATION

Base part number 202A2XX -XX -XX /XXX

Material dash number (See Compatibility Chart)

Modification number (If necessary, see front of scd binder for a complete list)

Adhesive slash number (If necessary, see Compatibility Chart)

THIS DRAWING IS SUBJECT TO CHANGE WITHOUT NOTICE; CONSULT YOUR
NEAREST FIELD REPRESENTATIVE FOR CURRENT REVISION

Raychem

RAYCHEM CORPORATION
300 CONSTITUTION DRIVE
MENLO PARK, CALIFORNIA 94025
(415) 361-6055

Revision : M
Date : 3/5/92

Part Number : 202A212 thru 264
Description : Boot, Long

CAD FILE MP92093

单击下面可查看定价，库存，交付和生命周期等信息

[>>TE Connectivity\(泰科\)](#)