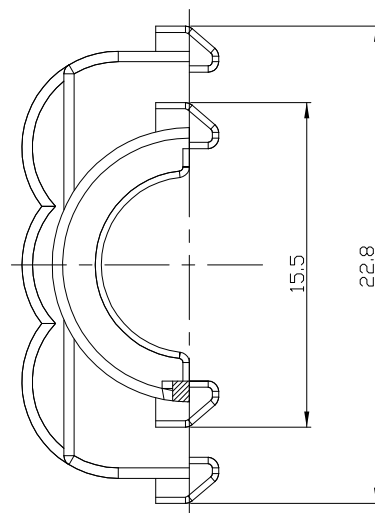
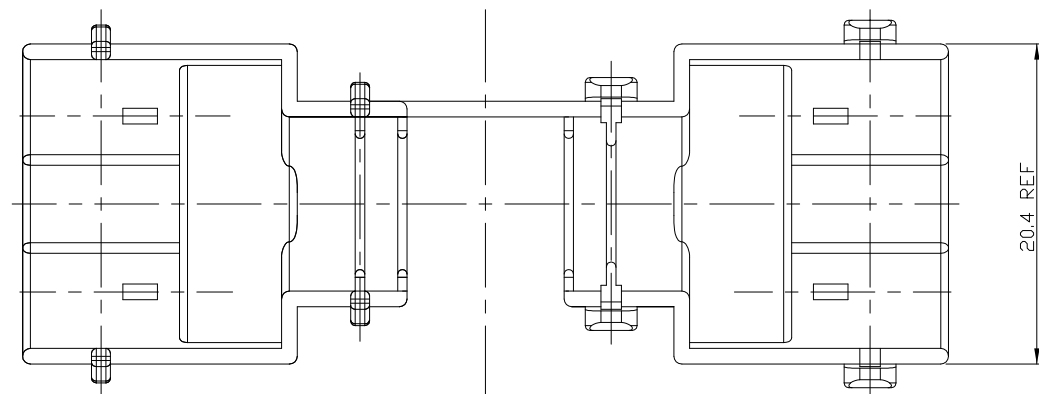
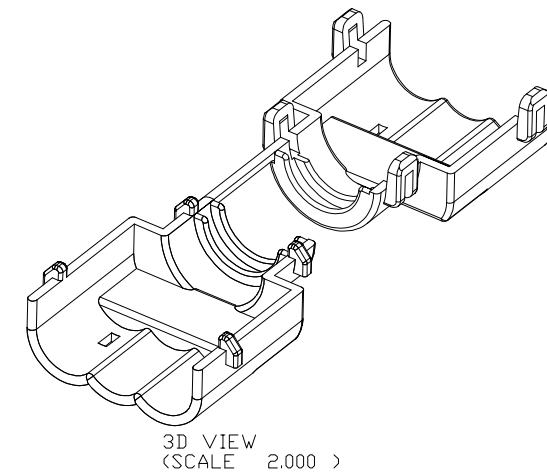


THIS DRAWING IS UNPUBLISHED. RELEASED FOR PUBLICATION 20  
 © COPYRIGHT 20 BY - ALL RIGHTS RESERVED.

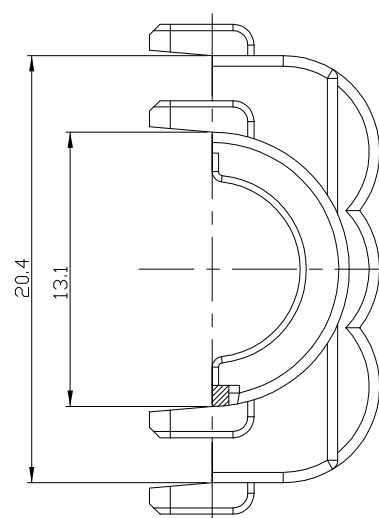
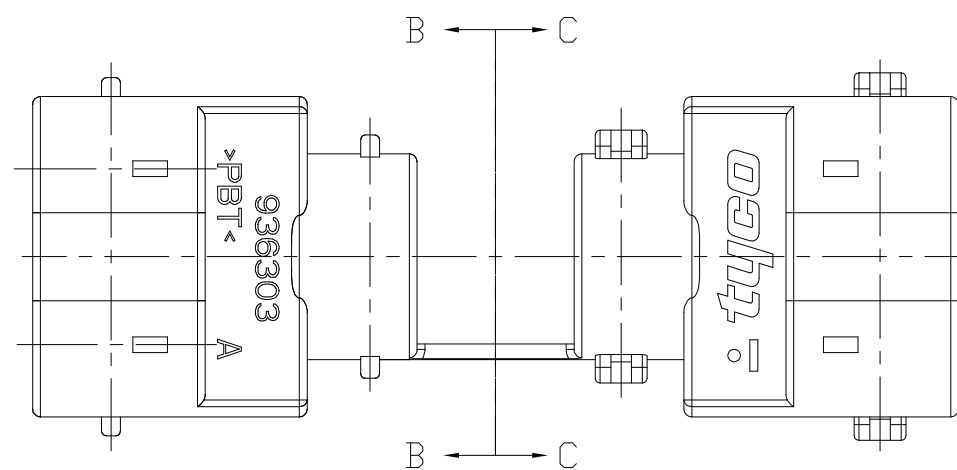
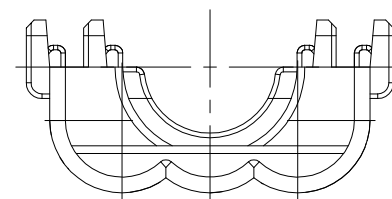
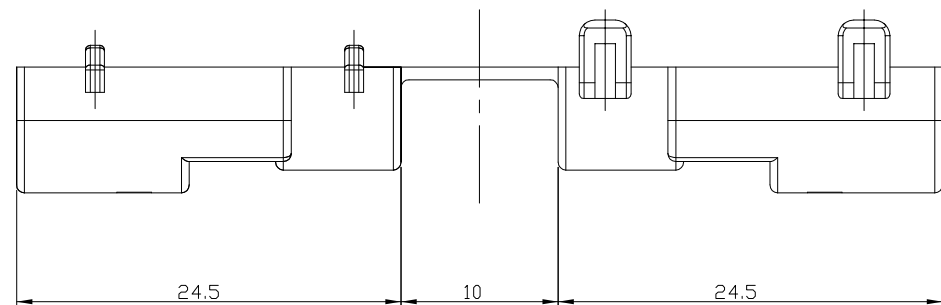
REVISIONS					
P	LTR	DESCRIPTION	DATE	DWN	APVD
	□	RELEASED	02NOV'2005	YH	JK
	A	REVISED(ECR-16-004034)	21MAR'16	JY	KT



SECTION B-B  
SCALE 4.000



3D VIEW  
(SCALE 2.000)



SECTION C-C  
SCALE 4.000

NOTES:

1. GENERAL TOLERANCE : ±0.3, ±3°
2. APPLICABLE CORRUGATE TUBE : Ø7.0mm
3. APPLICABLE MATING CONN'R : 936254
4. APPLICATION TEST SPEC : MS210-06-C(EXCEPT 4.4)

BLACK	PBT	COVER HSG	0-936303-2
COLOR	MATERIAL	DESCRIPTION	PART NO.

DIMENSIONS:		TOLERANCES UNLESS OTHERWISE SPECIFIED:		APVD		NAME	
mm	0 PLC	±		JY BAE	TE Connectivity		
	1 PLC	±		CHK YH MA	COVER HSG FOR		
	2 PLC	±		APVD KT LIM	MCP-E SEALED 6P PLUG CONN'R		
	3 PLC	±		PRODUCT SPEC	SIZE	CAGE CODE	DRAWING NO
	4 PLC	±		APPLICATION SPEC	A200779	C=936303	RESTRICTED TO
	ANGLES	±		WEIGHT	SCALE	SHEET	OF
	FINISH			CUSTOMER DRAWING	3/1	1	1
							REV
							A

单击下面可查看定价，库存，交付和生命周期等信息

[>>TE Connectivity\(泰科\)](#)