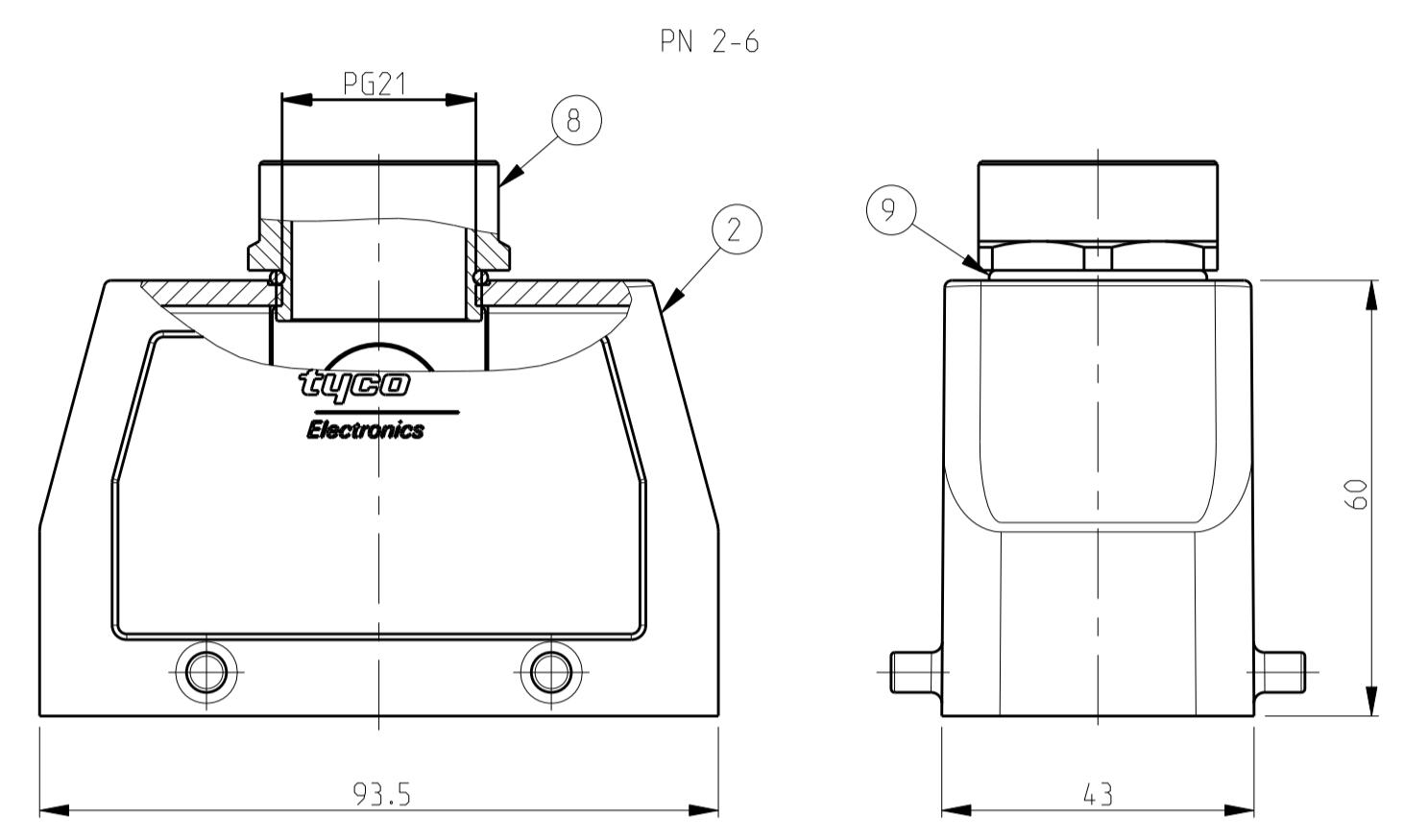
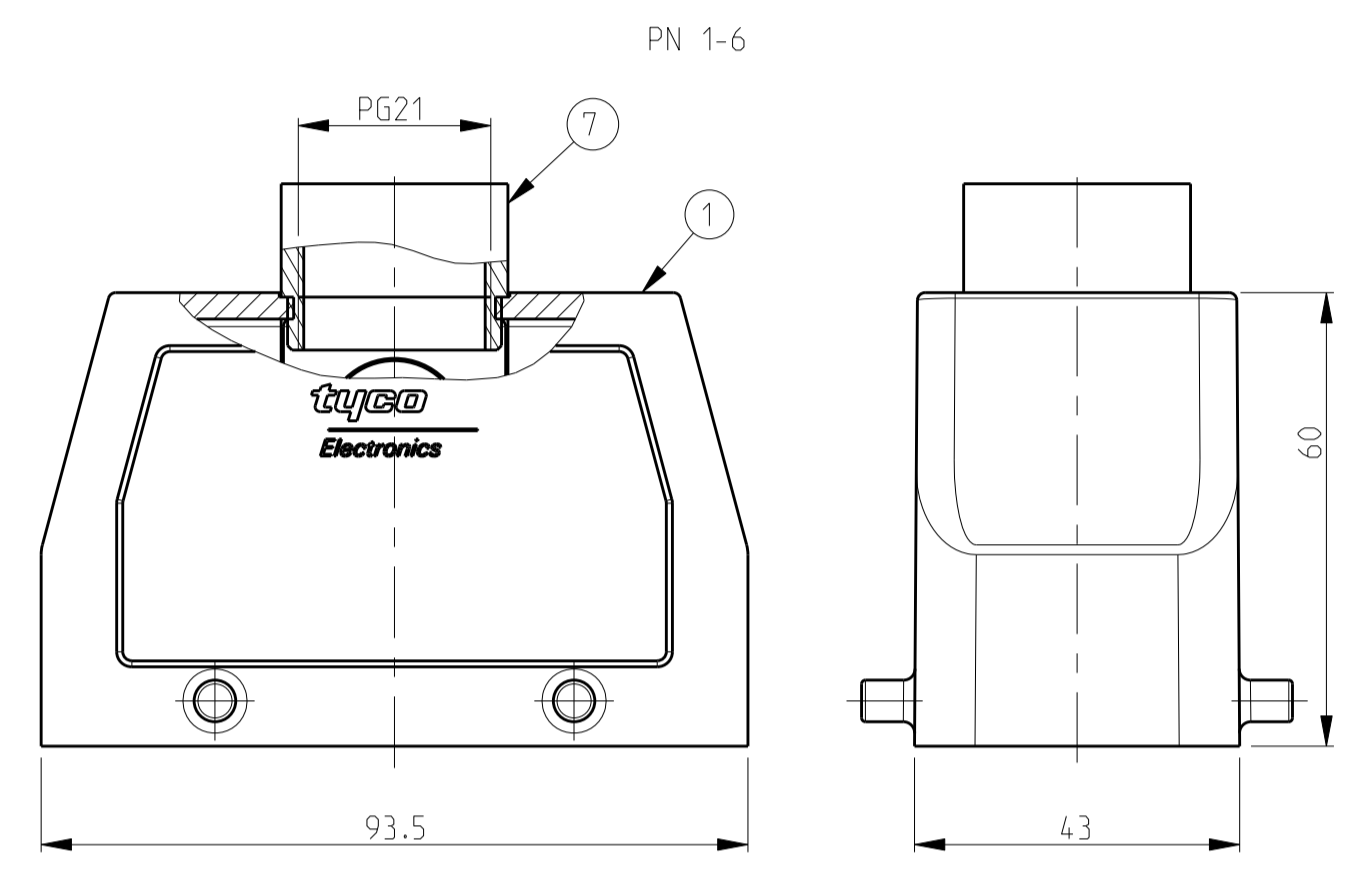
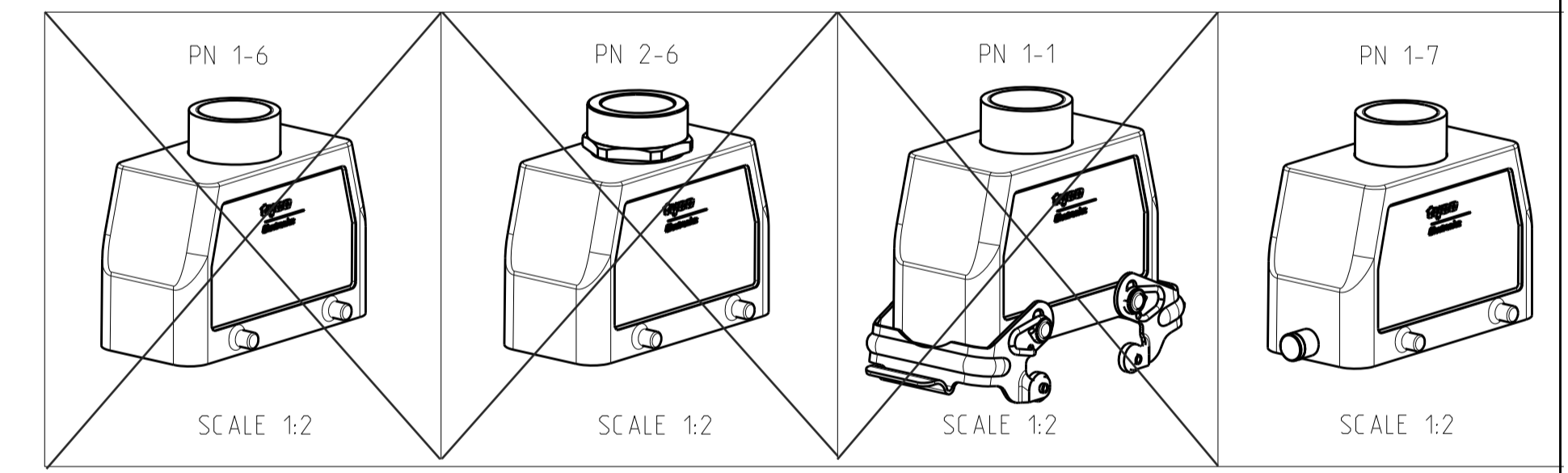
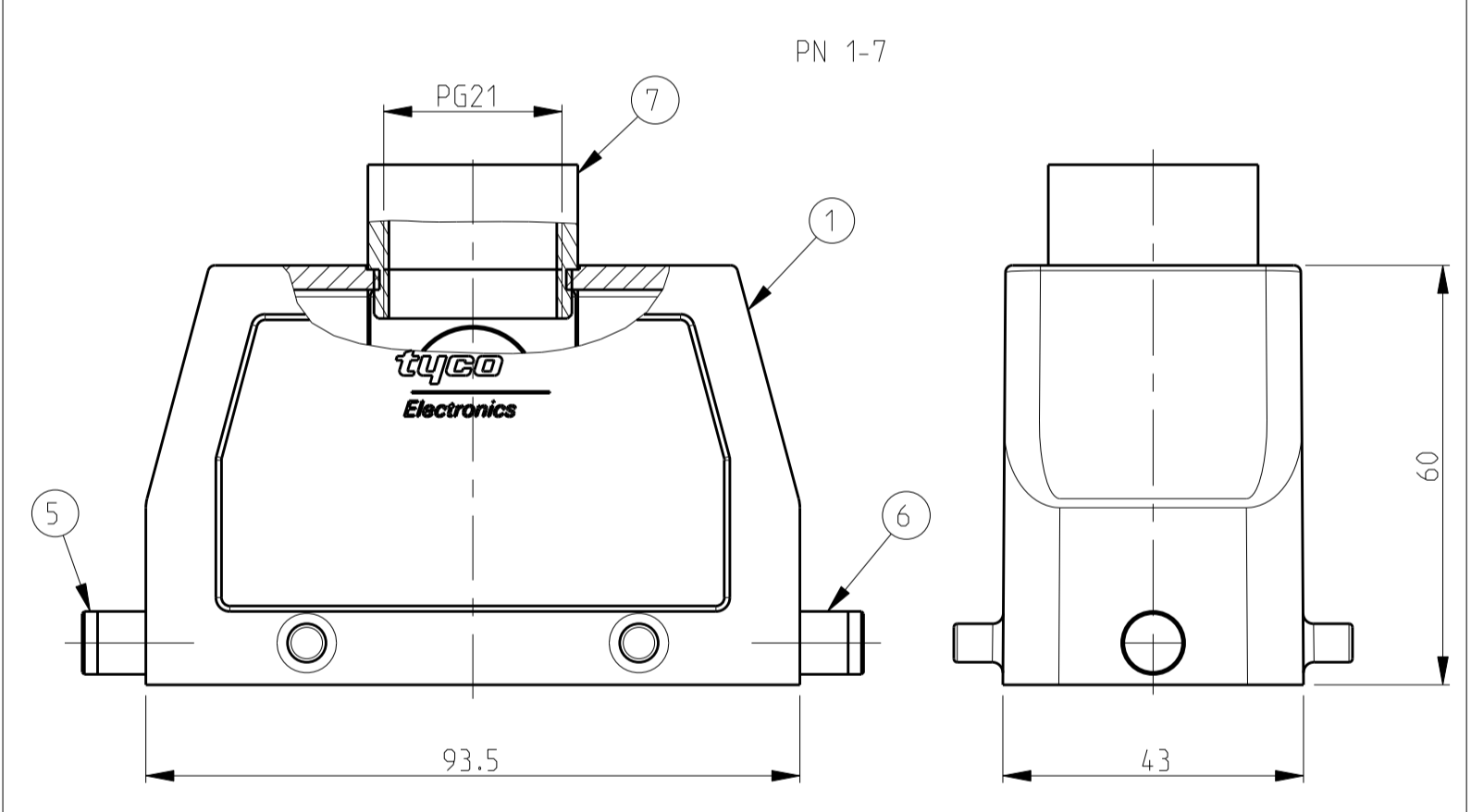
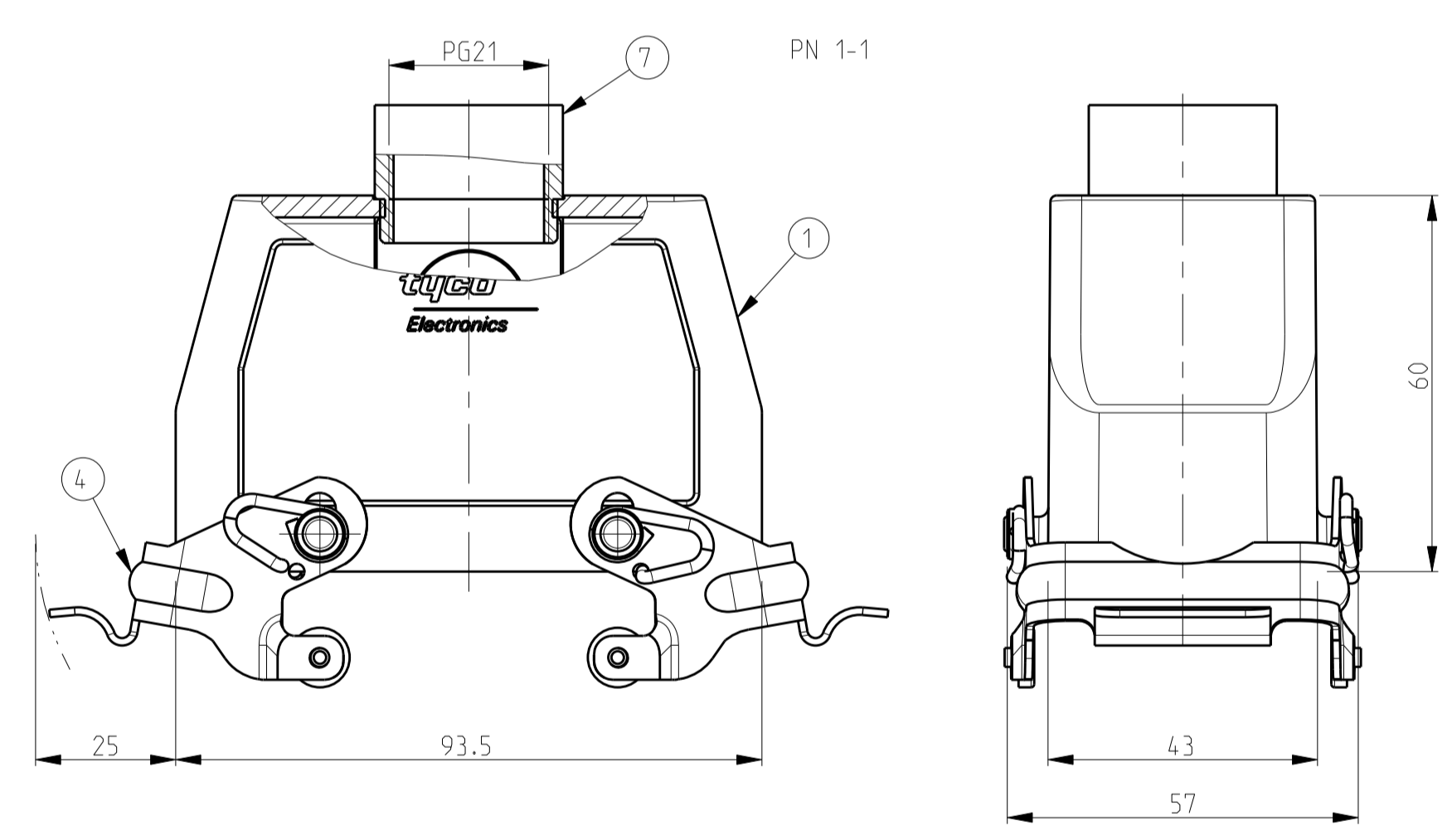


LOC		DIST		REVISIONS			
REV	DATE	DESCRIPTION	DATE	DWN	APVD		
A3		Released as per ECR-08-011916	12.May.2008	SP	TS		
A4		ECR-17-014033	13MAR2018	SG	MKO		



- NOTES
- 1 Material: Housing: aluminium diecasting alloy
 - 2 Surface:- Varnish grey
Aluminium oxide+Varnish Black
 - 3 Varnish on the inside not necessary
 - 4 Packaging
Packaging quantity 5 piece in a box



QTY	DESCRIPTION	MATERIAL	SURFACE	COLOR	ITEM NO	NOTES
1	O-Ring Pg21	Brass		Black	9	
1	6-Kt-Adapter Pg21	Brass	Nickel Plated		8	
1	Adapter Pg21	Brass	Nickel Plated		7	
2	LB-Slide Spool	Steel	Zinc Plated	Blue	6	
2	LB-Clip bolt	Steel	Zinc Plated	Blue	5	
2	VS-Locking Clip	Steel	Zinc Plated	Blue	4	
	VS-CLIP BOLT	Stainless Steel			3	
1	Hood HB16	Aluminium	Aluminium Oxide	Black	2	
1	Hood HB16	Aluminium		Grey	1	
1-7	DESCRIPTION	MATERIAL	SURFACE	COLOR	ITEM NO	NOTES
ORDERING TEXT						
HB.16.STO.1.21.Z						
HB-K.16.STO.1.21.Z						
HB.16.STO-VS.1.21.Z						
HB.16.STO-GR.1.21.Z						

DIMENSIONS:		TOLERANCES UNLESS OTHERWISE SPECIFIED:		DWN 05.06.02		Schneider		TE Connectivity	
mm		FRACTIONAL DECIMAL		Schneider		Schweiger		NAME	
-		0.1		APVD		-		Hood	
-		0.2		-		-		HB.16.1.21.Z	
-		0.5		-		-		SIZE	
-		1		-		-		CAGE CODE	
-		2		-		-		DRAWING NO	
-		3		-		-		RESTRICTED TO	
-		4		-		-		A 00779 C=1102294	
-		5		-		-		SHEET 1 OF 1	
-		6		-		-		REV A4	
-		7		-		-		SCALE 1:1	
-		8		-		-		CUSTOMER DRAWING	

单击下面可查看定价，库存，交付和生命周期等信息

[>>TE Connectivity\(泰科\)](#)