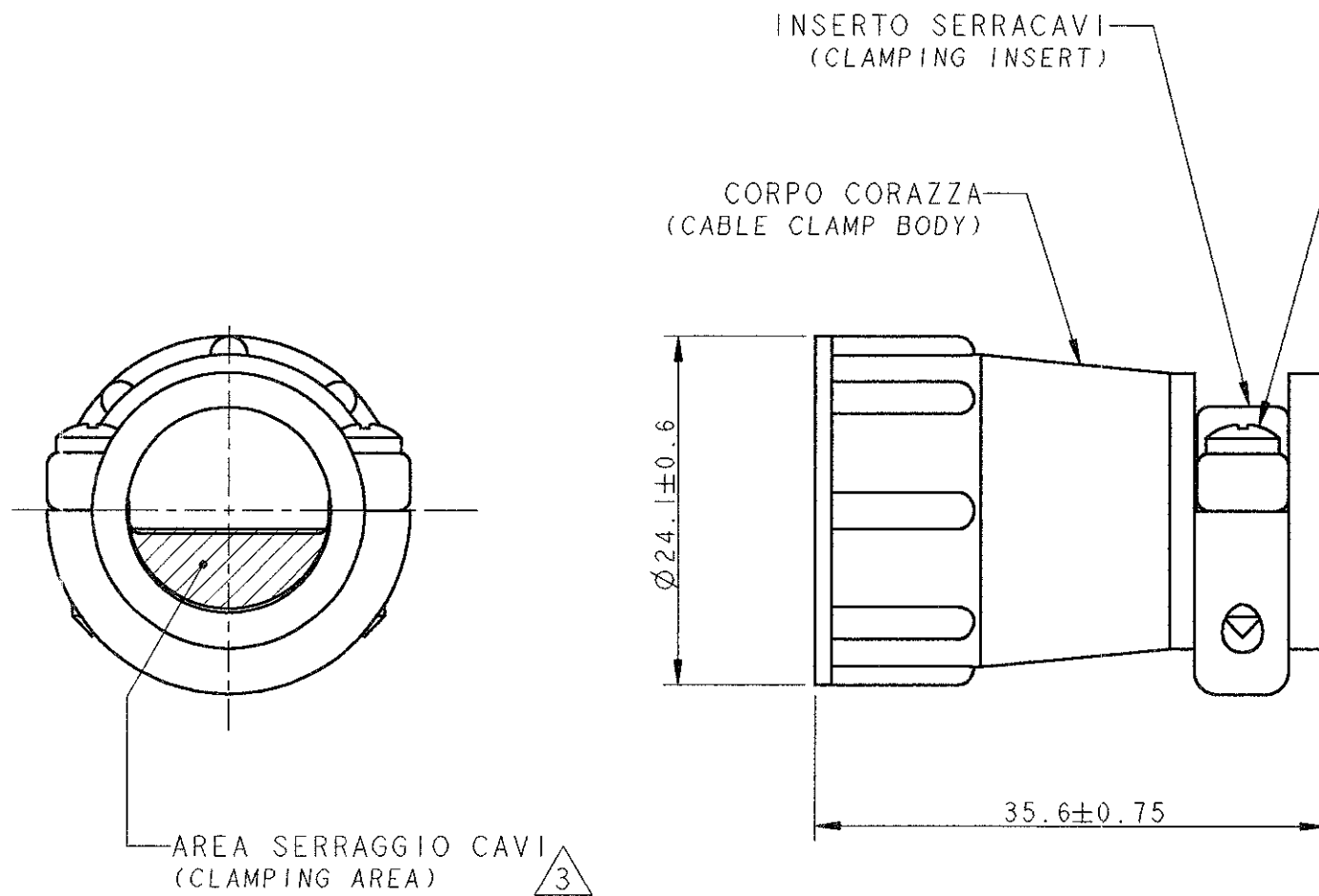


LOC	DIST	REVISIONS				
P	LTR	DESCRIPTION	DATE	DWN	APVD	
		C1	REVISED PER ECO-11-005140	31MAR11	RK	HMR



- 1) MATERIALE : TERMOPLASTICO, COLORE NERO
(MATERIAL : THERMOPLASTIC, BLACK COLOUR)
- 2) PARTICOLARI FORNITI NON ASSEMBLATI IN SACCHETTO DI PLASTICA
(PARTS PACKAGED UNASSEMBLED INTO A PLASTIC BAG)
- 3) L'AREA SERRAGGIO CAVI E' VARIABILE DA 6.45 A 103.9 mm²
IN FUNZIONE DEL TIPO E POSIZIONE DELL'INSERTO SERRACAVO
(CABLE CLAMPING AREA ADJUSTABLE FROM .010 TO .161 SQ. IN.
BY SELECTING AND REVERSING CLAMPING INSERTS)
- 4) QUESTO CONNETTORE E' RICONOSCIUTO E CERTIFICATO
(THIS CONNECTOR IS UL RECOGNIZED AND CSA CERTIFIED)
- 5) Ø MAX DEL FASCIO CAVI = 11.5 mm.
(MAXIMUM CABLE O.D. = .453 IN.)

P/N 182663-1 COME RAPPRESENTATO
(P/N 182663-1 AS SHOWN)

DWN R. FABRIS		15NOV2000		TE Connectivity	
CHK -		-			
DIMENSIONS: mm		TOLERANCES UNLESS OTHERWISE SPECIFIED:		NAME C.P.C. CABLE CLAMP KIT SIZE 13	
		0 PLC ±		APVD C. TARTARI	
		1 PLC ± ±0.3		PRODUCT SPEC 108-10024	
MATERIAL		FINISH		APPLICATION SPEC -	
-		-		WEIGHT -	
CUSTOMER DRAWING				SIZE A3	CAGE CODE 00779
				DRAWING NO C-182663	SCALE 2:1
				SHEET 1	REV C1

单击下面可查看定价，库存，交付和生命周期等信息

[>>TE Connectivity\(泰科\)](#)