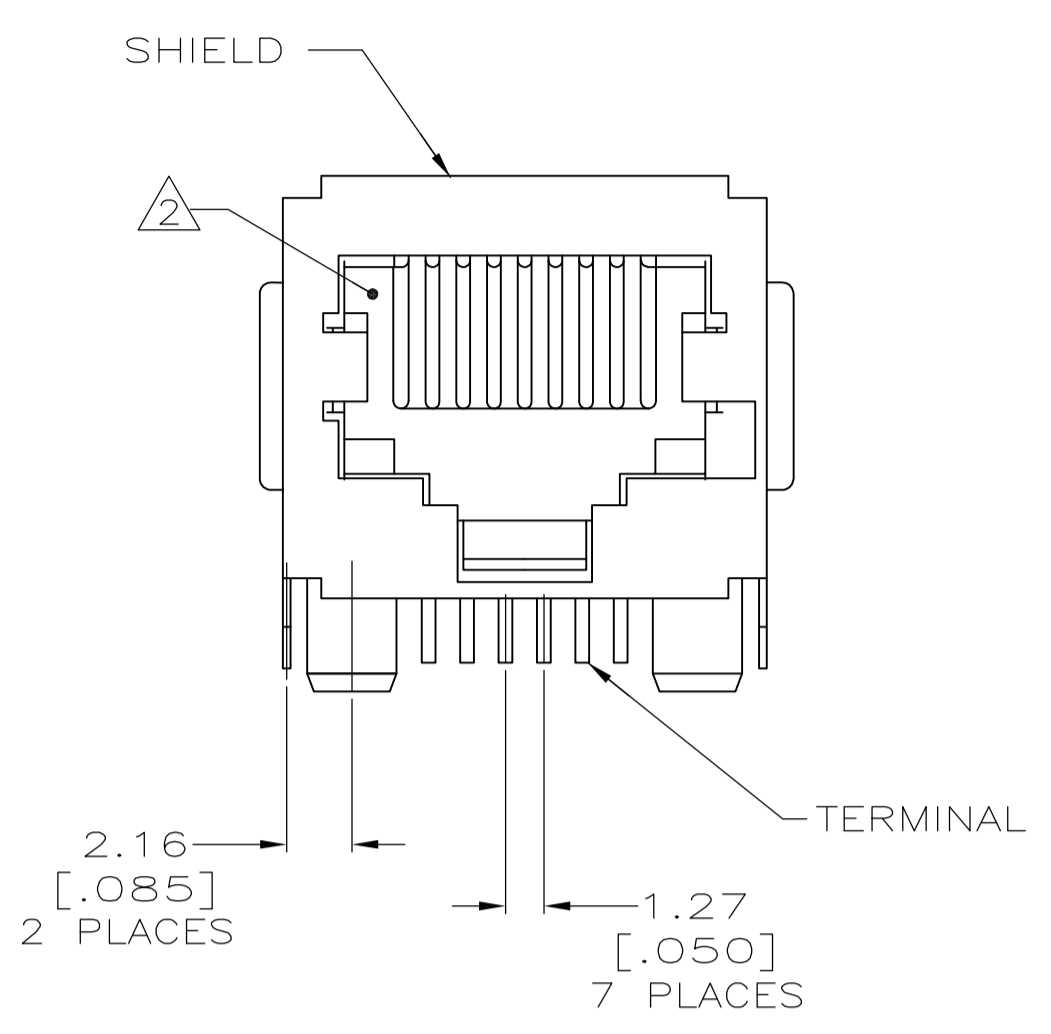
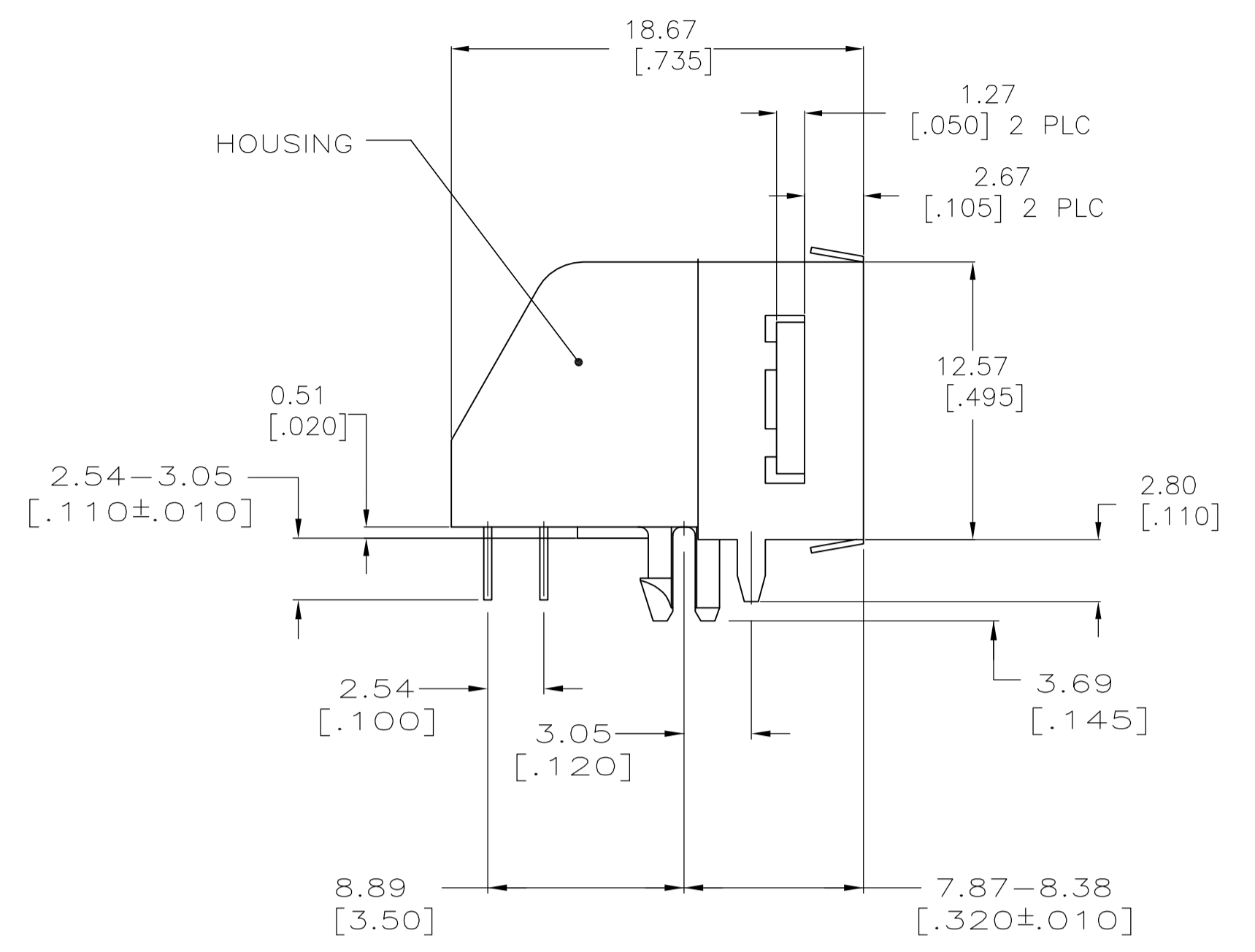
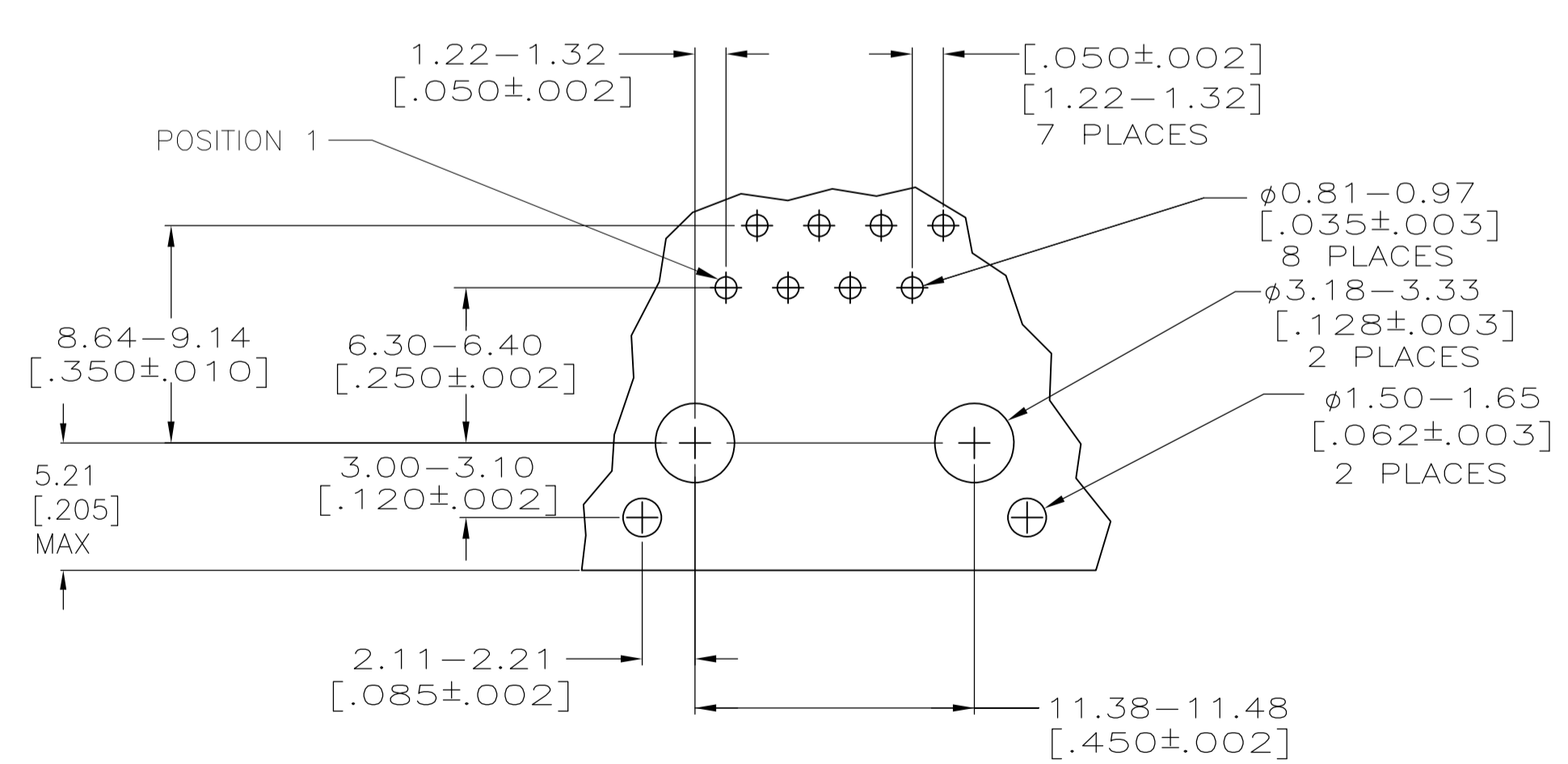
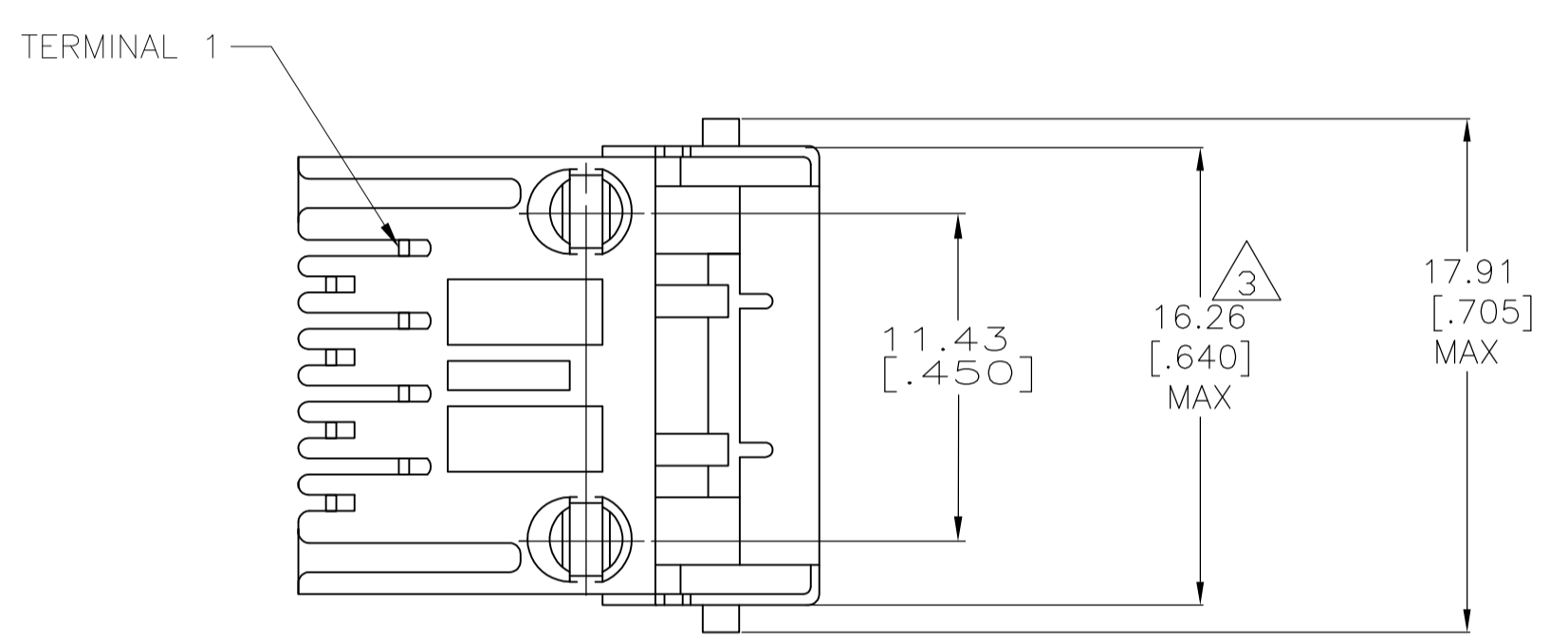


LOC		DIST		REVISIONS			
P	LTR	DESCRIPTION	DATE	DN	APVD		
C		ECO-08-002714	06FEB2008	LAM	PR		

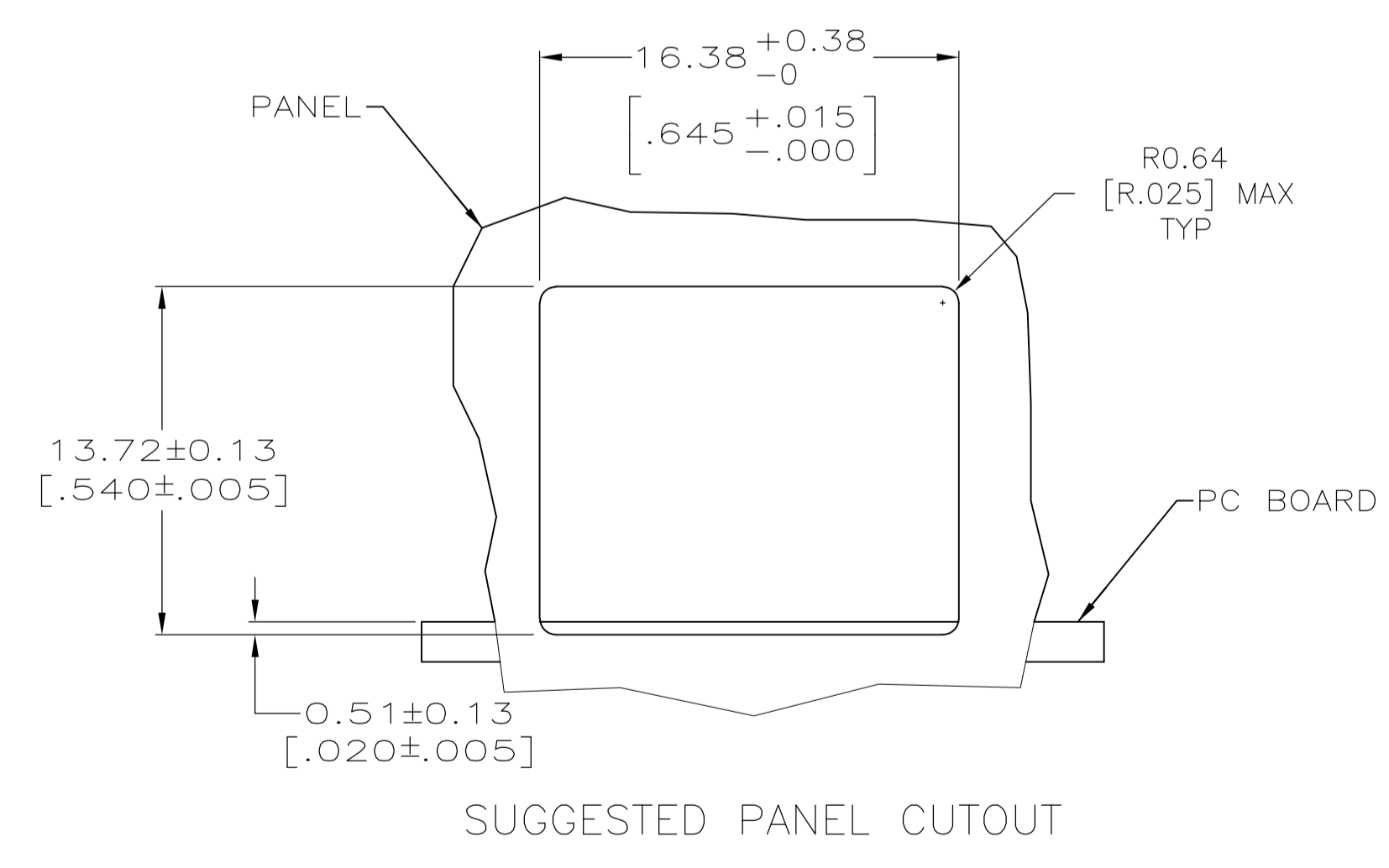


- MATERIAL:
 HOUSING-PBT POLYESTER BLACK.
 TERMINAL- 0.36 [.014] THICK PHOS-BRONZE PLATE WITH 1.27μm [.000050] MIN THICK HARD GOLD IN LOCALIZED GOLD PLATE AREA AND 3.81μm [.000150] MIN THICK MATTE TIN IN SOLDER AREA OVER 1.27μm [.000050] MIN THICK NICKEL UNDERPLATE.
 SHIELD- 0.25 [.010] THICK COPPER ALLOY, PLATE WITH 3.0μm [.000120] MIN THICK REFLOWED TIN

- △ CAVITY CONFORMS TO FCC RULES AND REGULATIONS, PART 68, SUBPART F.
- △ DIMENSION MEASURED ALONG FRONT EDGE OF MATING SURFACE



SUGGESTED PRINTED CIRCUIT BOARD LAYOUT
 COMPONENT SIDE



5558382-1
 PART NUMBER

THIS DRAWING IS A CONTROLLED DOCUMENT.		DIN A. FERNANDEZ 08JUN2005		Tyco Electronics Corporation	
DIMENSIONS: mm [INCHES]		CHK J. WESTMAN 08JUN2005		Tyco Electronics Corporation Harrisburg, Pa 17105-3608	
TOLERANCES UNLESS OTHERWISE SPECIFIED:		APVD S. FLICKINGER 08JUN2005		NAME MODULAR JACK ASSEMBLY, 8 POSITION, SHIELDED, KEYED, LOW PROFILE, RIGHT ANGLE, WITH PANEL GROUNDS AND PANEL STOPS	
0 PLC ± -	1 PLC ± -	2 PLC ± 0.13[.005]	3 PLC ± -	4 PLC ± -	ANGLES ± -
MATERIAL SEE NOTE 1		FINISH SEE NOTE 1		WEIGHT -	
CUSTOMER DRAWING		SCALE 4:1		SHEET 1 OF 1	
SIZE A1		CAGE CODE 00779		DRAWING NO. 5558382	

单击下面可查看定价，库存，交付和生命周期等信息

[>>TE Connectivity\(泰科\)](#)