

© - TE Connectivity. All Rights Reserved.

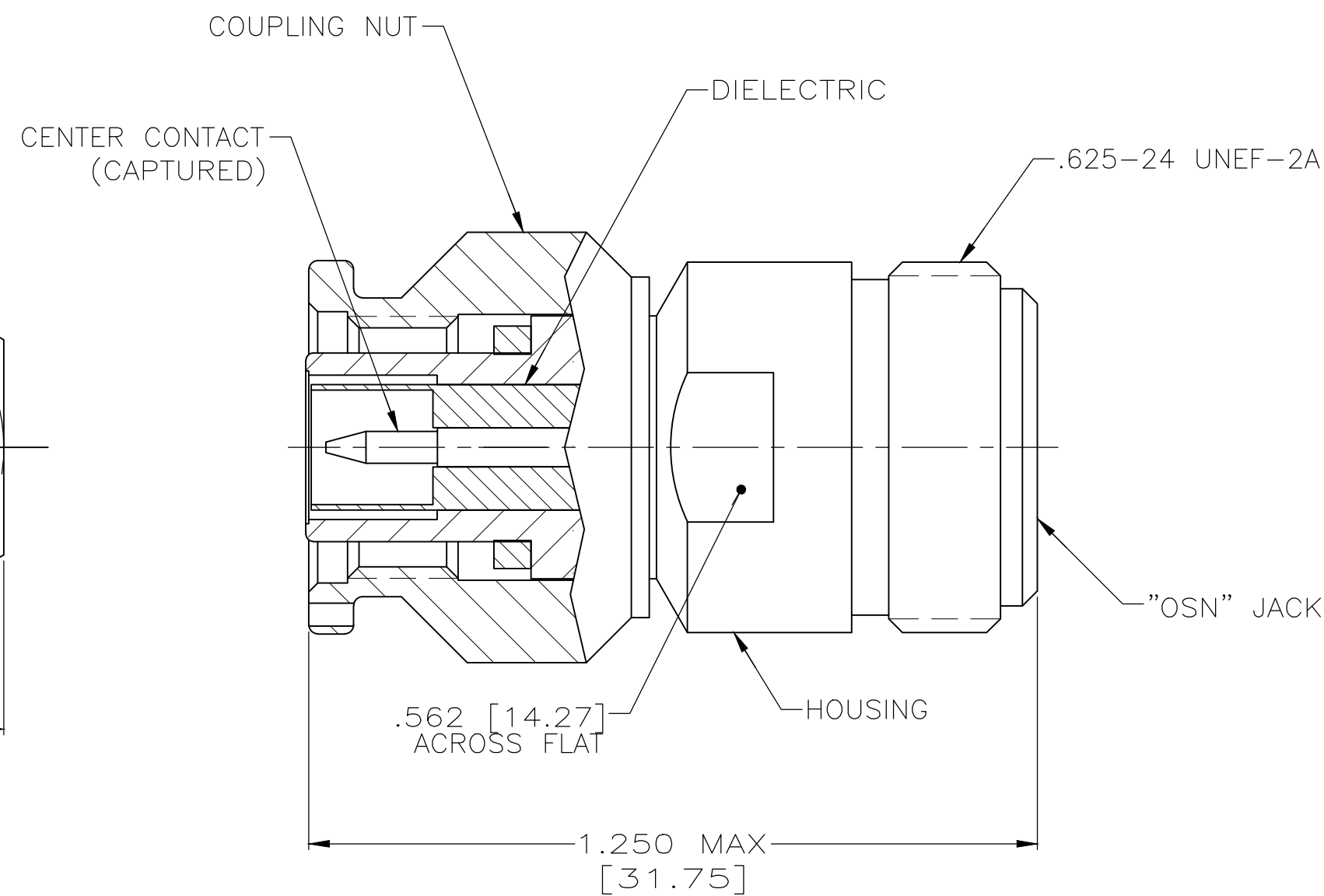
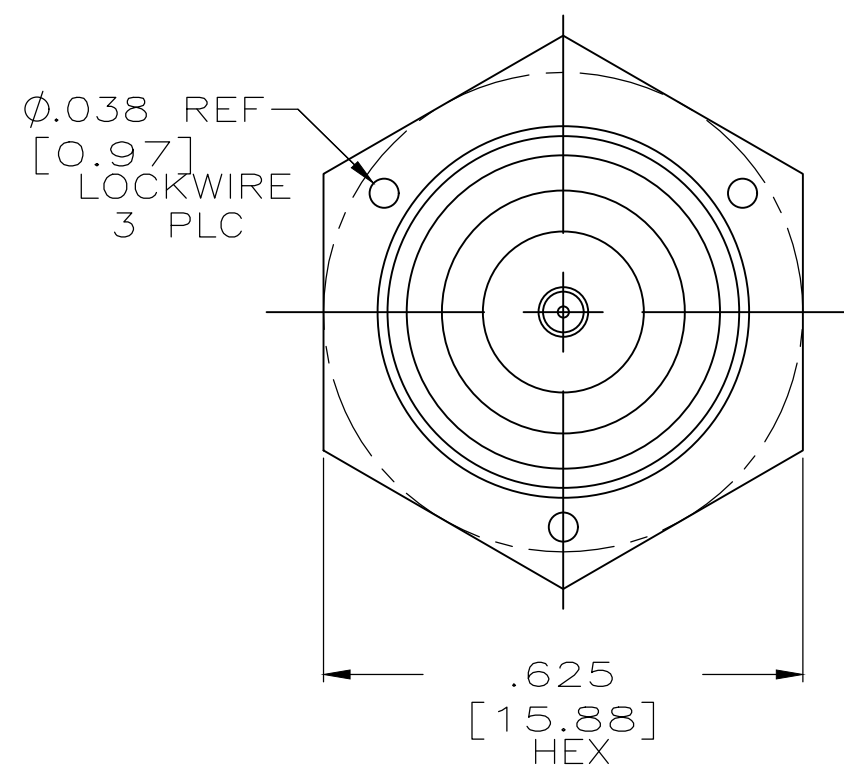
REVISIONS

COMPONENT	MATERIAL	FINISH
HOUSING COUPLING NUT	STAINLESS STEEL PER ASTM-A-484 OR ASTM-A-582 TYPE 303	PASSIVATED PER QQ-P-35
DIELECTRIC	PTFE FLUORCARBON PER ASTM-D-1457	-
CENTER CONTACT	BERYLLIUM COPPER PER ASTM-B-196 OR ASTM-B-197 ALLOY C17300, CONDITION H	GOLD PLATED PER ASTM-B-488

P	LTR	DESCRIPTION	DATE	DWN	APVD
A		REV PER ECO 20-003322	5-12-20	CT	FB

ELECTRICAL

NORMAL IMPEDANCE (OHMS):	50
FREQUENCY RANGE (GHz):	DC TO 18.0
VOLT RATING @ SEA LEVEL (VRMS MAX):	500
VSWR:	1.2:1 MAX up to 10GHz
INSERTION LOSS: (dB MAX):	0.4
RF HIGH POTENTIAL VOLTAGE:	1,000 V _{rm} MIN
INSULATION RESISTANCE:	5,000 MegaOhm MIN
WORKING VOLTAGE:	500 V _{rm} @ SEA LEVEL
DWV:	1,500 V _{rm} MIN AT SEA LEVEL
CORONA LEVEL:	375 V MIN AT 70,000 FEET
TEMPERATURE RATING:	-65°C TO +165°C



1484244-1
PART NO.

THIS DRAWING IS A CONTROLLED DOCUMENT.		DWN	9-5-01			
		CHK	9-5-01			
		APVD	9-5-01			
		PRODUCT SPEC				
DIMENSIONS: INCHES [mm]		TOLERANCES UNLESS OTHERWISE SPECIFIED:		NAME OSN JACK TO OST PLUG ADAPTER		
		0 PLC ± -		SIZE	CAGE CODE	
		1 PLC ± -		DRAWING NO	RESTRICTED TO	
		2 PLC ± -		A2 00779 C=1484244		
		3 PLC ± .010 [0.25]		SCALE 4:1 SHEET 1 of 1 REV A		
		4 PLC ± -				
MATERIAL SEE TABLE		FINISH SEE TABLE		WEIGHT 0.000000		
		CUSTOMER DRAWING				

单击下面可查看定价，库存，交付和生命周期等信息

[>>TE Connectivity\(泰科\)](#)